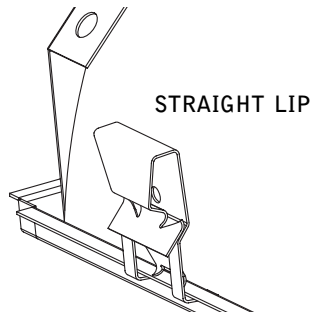
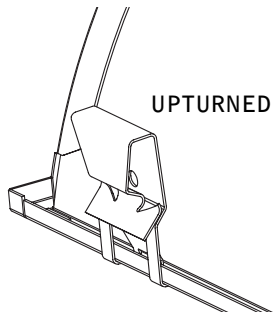
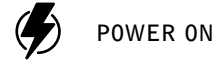


positional clips

FOCAL POINT



KEY



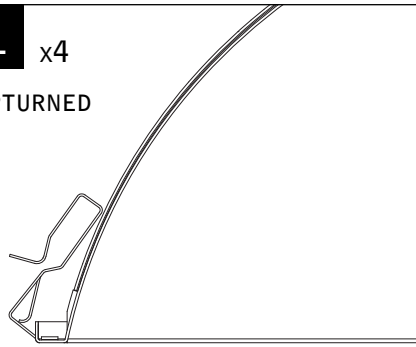
THE LUMINAIRE SHOULD IN ALL INSTANCES BE SECURELY ATTACHED TO THE STRUCTURE WITH TIE WIRES. THE ENCLOSED POSITIONING CLIPS ARE INTENDED TO POSITION THE LUMINAIRE, HELPING TO CENTER AND HOLD THE LUMINAIRE IN PLACE WHILE TIE WIRES ARE BEING ATTACHED. SEE LUMINAIRE INSTALLATION INSTRUCTIONS, WHICH MAY BE OBTAINED AT WWW.FOCALPOINTLIGHTS.COM.



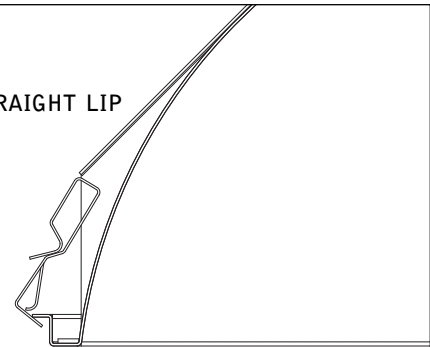
**DO NOT MECHANICALLY
FASTEN CLIP TO
LUMINAIRE HOUSING**

1 x4

UPTURNED



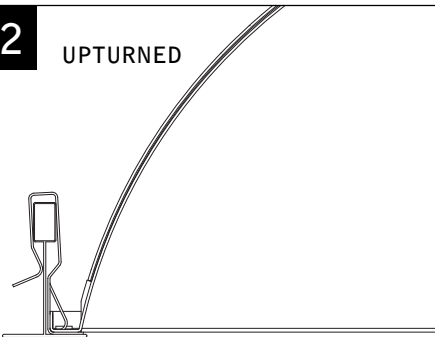
STRAIGHT LIP



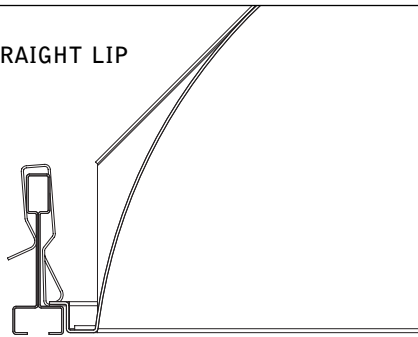
SNAP CLIP ONTO LIP OF LUMINAIRE AT EACH CORNER

2

UPTURNED



STRAIGHT LIP



PUSH TO SNAP CLIPS OVER TEE-BAR

Luminaires must be installed by a qualified electrician (check with local and national codes for proper installation).
To prevent electrical shock, disconnect electrical supply before installation or servicing.