

# Focus™ Wall Wash

LED



FOCAL POINT®



inside corner

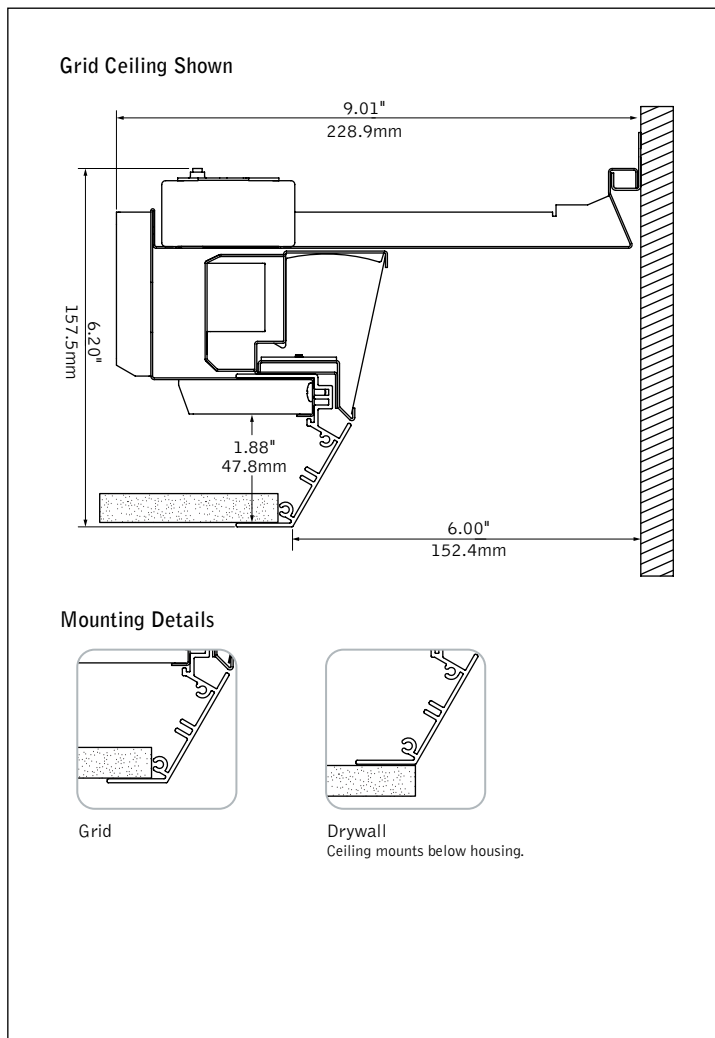


outside corner



optional flanged  
end detail

## DIMENSIONAL DATA



## FEATURES

Low profile LED wall wash provides a glowing transition between wall and ceiling.

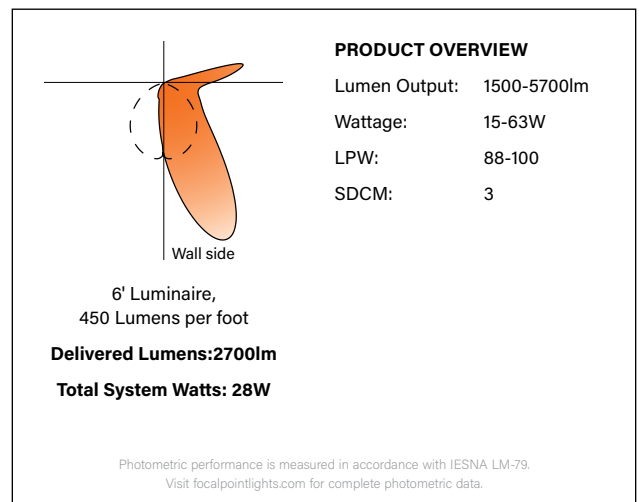
Housing creates 6" architectural slot with extruded splay to conceal light source from view at standard ceiling heights. Slight shadows between adjoining light modules may be perceptible when mounted into high ceilings..

Infinite lengths with the ability for pattern creation with 90° inside and outside corners.

Ease of installation and maintenance with rough-in housing and separate snap and lock LED light module.

Integrated sliding sleeve extends to meet precise dimensions of a finished space with +/- 2" adjustment.

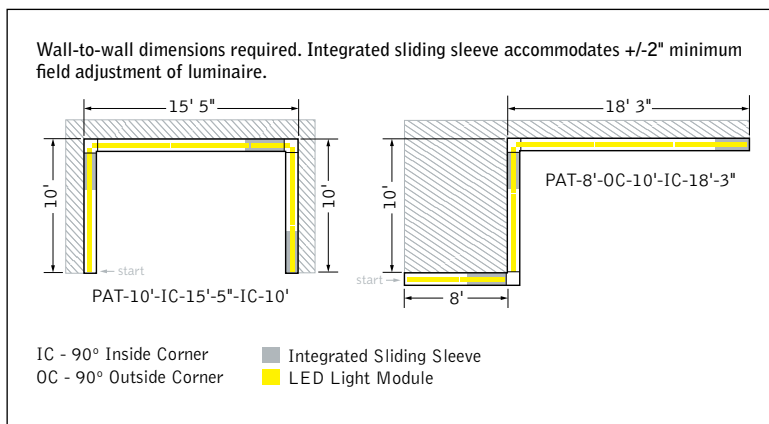
## PERFORMANCE



fixture:

project:

**PATTERN CONFIGURATIONS** (continued on page 3)



**SPECIFICATIONS**

**LED System**

Proprietary linear LED module incorporates premium LEDs on a robust platform to achieve excellent thermal management. Module is available in 2700K, 3000K, 3500K or 4000K with CRI > 80 or CRI>90. LED module and driver are replaceable from below.

**Construction**

One-piece, 22Ga. steel rough-in housing powder coated in matte satin white. Housing includes extruded splay in a matte satin white finish and steel alignment bracket. Light engine module constructed with 22Ga. steel and finished in matte satin white. Light engine must be installed after rough-in housing installation. Inside/outside corners and sliding sleeve fabricated with 22Ga. steel and include extruded aluminum splay. Fixture weight: 5.8 lbs/ft.

**Optic**

Semi-specular aluminum optical reflector with .020" thick diffuser lens. Light chamber does not provide fully continuous illumination, slight shadows may be perceptible between adjoining light modules, especially at high mounting heights.

**Electrical**

Light engine module includes driver and wiring harness. Single power drop can power up to 40' or more in a single run. Galvanized feed box with access plate provided for every start of run luminaire and installed in the field. Emergency circuit feed locations are field located by positioning of feed box. Standard 120-277V driver includes 0-10V analog dimming. Power factor > .9.

**Labels**

UL and cUL listed. Suitable for Dry or Damp Locations, indoor use only. Suitable for wood ceiling applications.

**Emergency Battery**

Bodine BSL-310LP. Emergency output for 90 minutes. Maximum mounting height: 12ft.

**Finish**

Polyester powder coat applied over a multi-stage pre-treatment.

**Lumen Maintenance**

Reported: L70 > 60,000 hours      Calculated: L70 at > 95,000 hours  
 (Derived from EPA TM-21 calculator. Based on typical conditions, consult factory for additional data.)

**Reliability**

At Focal Point, our products are designed to stand the test of time. Each luminaire is engineered using superior components, manufactured with the utmost care and rigorously tested. Contact us for reliability data.

**Warranty**

LED system rated for operation in ambient environments up to 25°C. 5 year limited warranty.

**6' PERFORMANCE CHART**

Lumens per Foot	Delivered Lumens	Tested System Watts	LPW
250LF	1500	15	100
450LF	2700	28	96
650LF	3900	42	92
800LF	4800	51	90
950LF	5700	63	88

Based on 3500K, 80 CRI, 6' lengths. Lumen Multipliers: Preferred Light = 0.65, 90+ CRI = 0.87. Lumen output may vary +/- 5%. Actual wattage may vary +/- 5%.

Focal Point LLC reserves the right to change specifications for product improvement without notification.

**ORDERING**

<b>Luminaire Series</b>		<b>FWSL</b>	<b>FWSL</b>
Focus Wall Wash		FWSL	
<b>Shielding</b>			<b>FL</b>
Frosted Lens		FL	
<b>Lumen Output</b>			
250 Lumens per foot	250LF		
450 Lumens per foot	450LF		
650 Lumens per foot	650LF		
800 Lumens per foot	800LF		
(Not available with DALI)			
950 Lumens per foot	950LF		
(Not available with Lutron or DALI drivers)			
<b>Circuit Temperature</b>			
2700K, 80+ CRI or 90+ CRI	27K or 927K		
3000K, 80+ CRI or 90+ CRI	30K or 930K		
3500K, 80+ CRI or 90+ CRI	35K or 935K		
4000K, 80+ CRI or 90+ CRI	40K or 940K		
<b>Circuits</b>			<b>1C</b>
Single Circuit	1C		
<b>Voltage</b>			
120/277 UNV	UNV		
347 Volt	347		
(650LF & LD1 driver only)			
<b>Driver</b>			
0-10V - 10% Dimming	LD1		
0-10V - 1% Dimming	L11		
Lutron Hi-Lume EcoSystem (LDE1) - 1% Dimming	LH1		
DALI - 1% Dimming	D11		
<b>Mounting</b>			<b>U</b>
Universal	U		
<b>Factory Options</b>			
Air Return	AR		
Chicago Plenum	CP		
Emergency Circuit	EC		
Emergency Battery Pack	EM		
Flanged Ends	FL		
<b>Finish</b>			<b>WH</b>
Matte White Housing	WH		
<b>Luminaire Length</b>			<b>ft in</b>
(2' minimum. Leave blank for pattern ordering.)			
Specify luminaire/row length in 1" increments	_ft _in		
<b>Pattern Options</b>			
Specify patterns based on wall-to-wall dimensions	PAT-		
(See Pattern Configurations for example)			

Pattern Example: FWSL-FL-650LF-35K-1C-UNV-LD1-U-WH-PAT-10'-IC-20'-5"-IC-10'

**PATTERN CONFIGURATIONS**

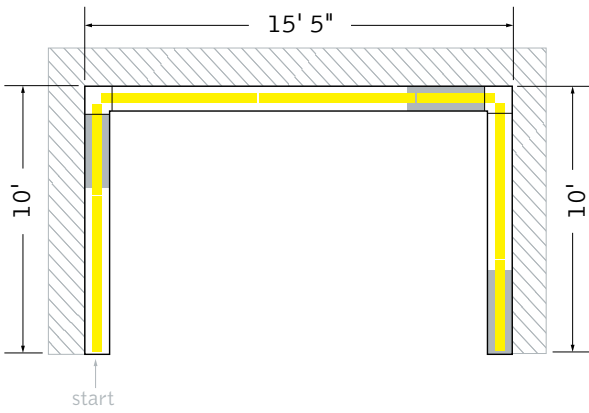
Specify wall-to-wall dimensions in feet and inches. Integrated sliding sleeve accommodates +/- 2" minimum field adjustment of luminaire at corners and end of run.



**KEY**

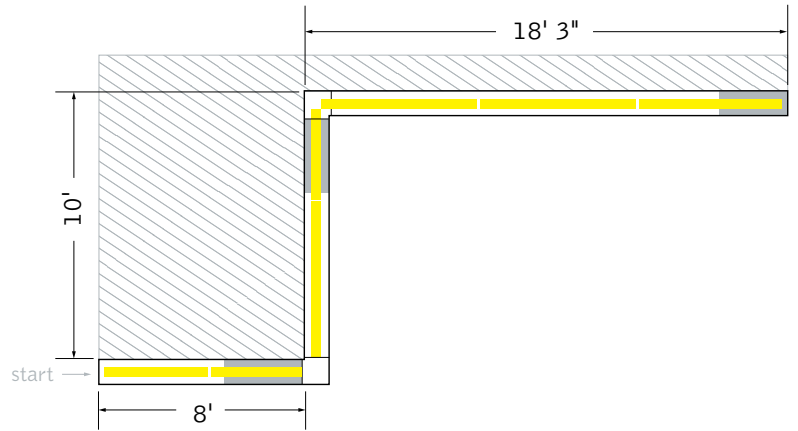
- IC - 90° Inside Corner
- OC - 90° Outside Corner
- - Integrated Sliding Sleeve
- - LED Light Module

**U-Pattern**



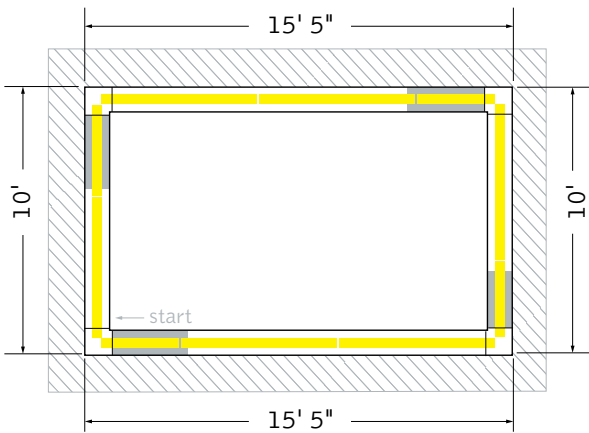
PAT-10'-IC-15'-5"-IC-10'

**Z-Pattern**



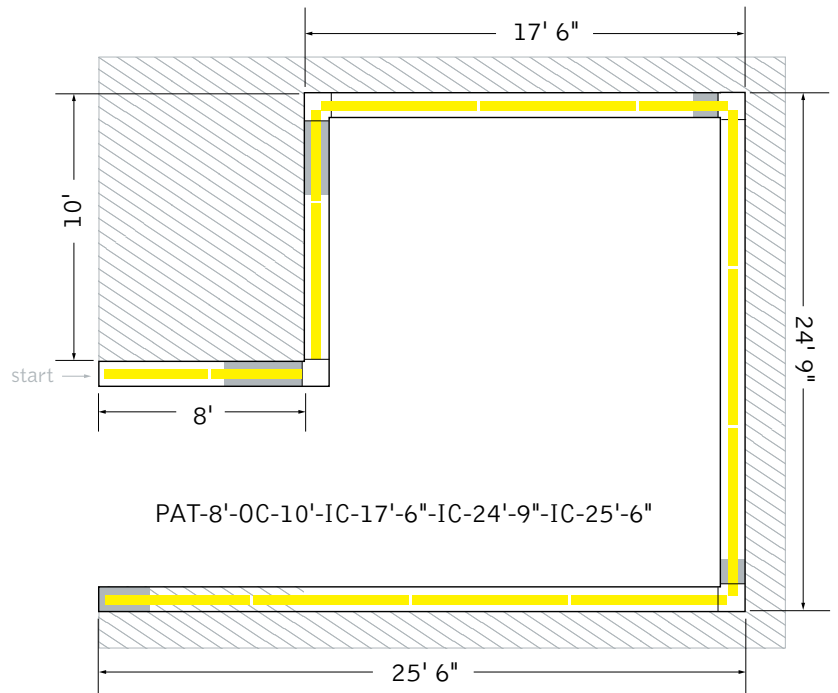
PAT-8'-OC-10'-IC-18'-3"

**Square/Rectangular Pattern**



PAT-10'-IC-15'-5"-IC-10'-IC-15'-5"-IC

**Unique Pattern**



PAT-8'-OC-10'-IC-17'-6"-IC-24'-9"-IC-25'-6"