

Focus™ Wall Wash

LED



inside corner

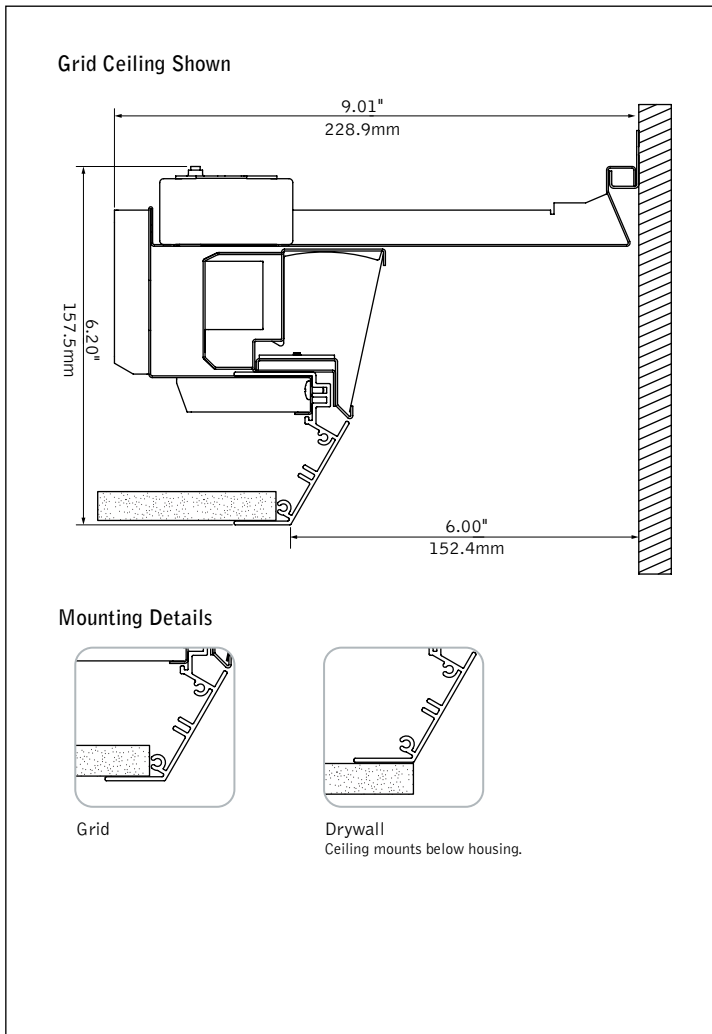


outside corner



optional flanged end detail

DIMENSIONAL DATA



FEATURES

Low profile LED wall wash provides a glowing transition between wall and ceiling and shadow-free illumination.

Housing creates 6" architectural slot with extruded splay to conceal light source from view.

Infinite lengths with the ability for pattern creation with 90° inside and outside corners.

Ease of installation and maintenance with rough-in housing and separate snap and lock LED light module.

Integrated sliding sleeve extends to meet precise dimensions of a finished space with +/- 2" adjustment.

Preferred Light: Lighting for better color rendition and human preference.

PERFORMANCE

Wall side

6' Luminaire,
450 Lumens per foot

Delivered Lumens: 2700lm

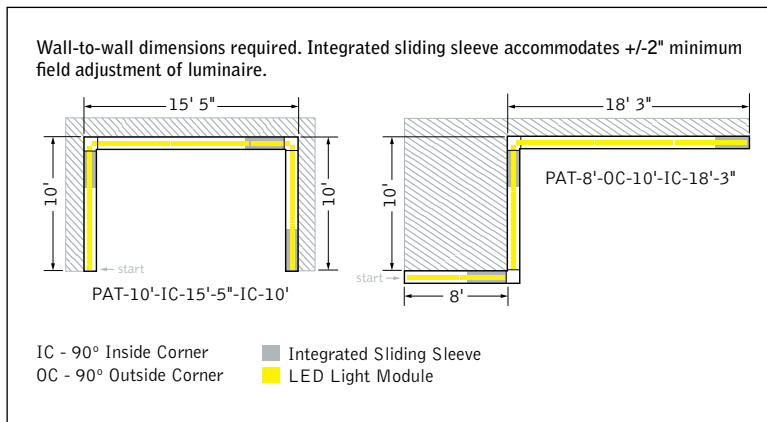
Total System Watts: 28W

PRODUCT OVERVIEW

Lumen Output:	1500-5700lm
Wattage:	15-63W
LPW:	88-100
SDCM:	3

Photometric performance is measured in accordance with IESNA LM-79.
Visit focalpointlights.com for complete photometric data.

PATTERN CONFIGURATIONS (continued on page 3)



SPECIFICATIONS

LED System

Proprietary linear LED module incorporates premium LEDs on a robust platform to achieve excellent thermal management. Module is available in 2700K, 3000K, 3500K or 4000K with CRI > 80 or CRI>90. LED module and driver are replaceable from below.

Construction

One-piece, 22Ga. steel rough-in housing powder coated in matte satin white. Housing includes extruded splay in a matte satin white finish and steel alignment bracket. Light engine module constructed with 22Ga. steel and finished in matte satin white. Light engine must be installed after rough-in housing installation. Inside/outside corners and sliding sleeve fabricated with 22Ga. steel and include extruded aluminum splay.

Optic

Semi-specular aluminum optical reflector with .020" thick diffuser lens.

Electrical

Light engine module includes driver and wiring harness. Single power drop can power up to 40' or more in a single run. Galvanized feed box with access plate provided for every start of run luminaire and installed in the field. Emergency circuit feed locations are field located by positioning of feed box. Standard 120-277V driver includes 0-10V analog dimming. Power factor > .9.

Labels

UL and cUL listed. Suitable for Dry or Damp Locations, indoor use only. Suitable for wood ceiling applications.

Emergency Battery

Bodine BSL-310LP. Emergency output for 90 minutes. Maximum mounting height: 12ft.

Finish

Polyester powder coat applied over a multi-stage pre-treatment.

Lumen Maintenance

Reported: L70 > 60,000 hours Calculated: L70 at > 95,000 hours
(Derived from EPA TM-21 calculator. Based on typical conditions, consult factory for additional data.)

Reliability

At Focal Point, our products are designed to stand the test of time. Each luminaire is engineered using superior components, manufactured with the utmost care and rigorously tested. Contact us for reliability data.

Warranty

LED system rated for operation in ambient environments up to 25°C. 5 year limited warranty.

6' PERFORMANCE CHART

Lumens per Foot	Delivered Lumens	Tested System Watts	LPW
250LF	1500	15	100
450LF	2700	28	96
650LF	3900	42	92
800LF	4800	51	90
950LF	5700	63	88

Based on 3500K, 80 CRI, 6' lengths. Lumen Multipliers: Preferred Light = 0.65, 90+ CRI = 0.87. Lumen output may vary +/- 5%. Actual wattage may vary +/- 5%.

Focal Point LLC reserves the right to change specifications for product improvement without notification.

ORDERING

Luminaire Series	FWSL	FWSL
Focus Wall Wash	FWSL	
Shielding		FL
Frosted Lens	FL	
Lumen Output		
250 Lumens per foot	250LF	
450 Lumens per foot	450LF	
650 Lumens per foot	650LF	
800 Lumens per foot	800LF	
(Not available with DALI)		
950 Lumens per foot	950LF	
(Not available with Lutron or DALI drivers)		
Color Temperature		
2700K, 80+ CRI or 90+ CRI	27K or 927K	
3000K, 80+ CRI or 90+ CRI	30K or 930K	
3500K, 80+ CRI or 90+ CRI	35K or 935K	
4000K, 80+ CRI or 90+ CRI	40K or 940K	
3500K, Preferred Light (6" increments only)	P35K	
Circuits		1C
Single Circuit	1C	
Voltage		
120/277 UNV	UNV	
347 Volt (650LF & LD1 driver only)	347	
Driver		
0-10V - 10% Dimming	LD1	
0-10V - 1% Dimming	L11	
Lutron H-Series - 1% Dimming	LH1	
Lutron S-Series - 5% Dimming	LU5	
DALI - 1% Dimming	D11	
Mounting		U
Universal	U	
Factory Options		
Air Return	AR	
Chicago Plenum	CP	
Emergency Circuit	EC	
Emergency Battery Pack	EM	
Flanged Ends	FL	
Finish		WH
Matte White Housing	WH	
Luminaire Length		ft in
(2' minimum. Leave blank for pattern ordering.)		
Specify luminaire/row length in 1" increments	_ft_in	
Pattern Options		
Specify patterns based on wall-to-wall dimensions	PAT-	
(See Pattern Configurations for example)		

Pattern Example: FWSL-FL-650LF-35K-1C-UNV-LD1-U-WH-PAT-10'-IC-20'-5'-IC-10'



Options in orange qualify for the Quickship program. 10-day up to 400ft total. Refer to Quickship Guide for complete details.

PATTERN CONFIGURATIONS

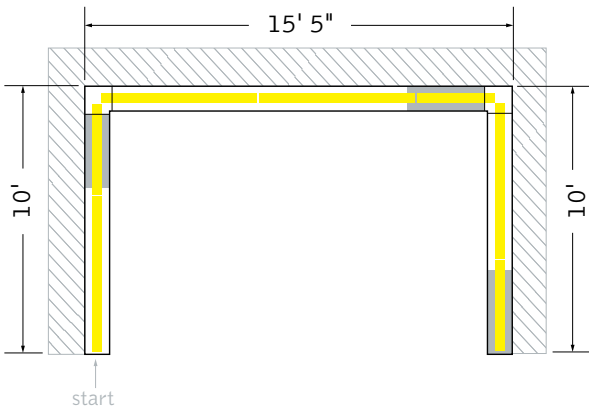
Specify wall-to-wall dimensions in feet and inches. Integrated sliding sleeve accommodates +/- 2" minimum field adjustment of luminaire at corners and end of run.



KEY

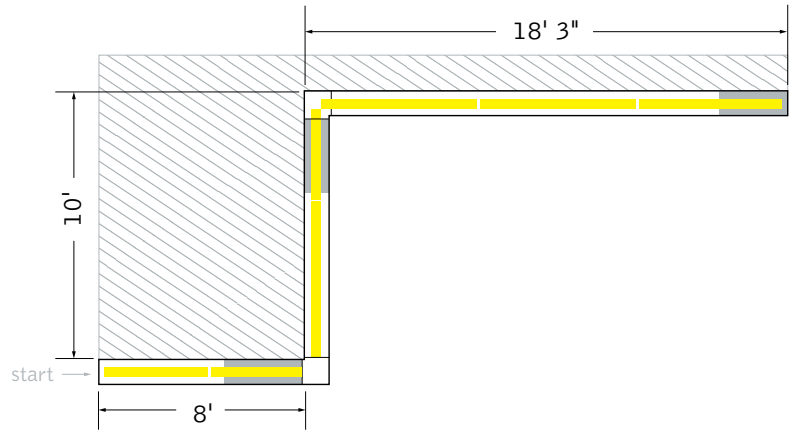
- IC - 90° Inside Corner
- OC - 90° Outside Corner
- - Integrated Sliding Sleeve
- - LED Light Module

U-Pattern



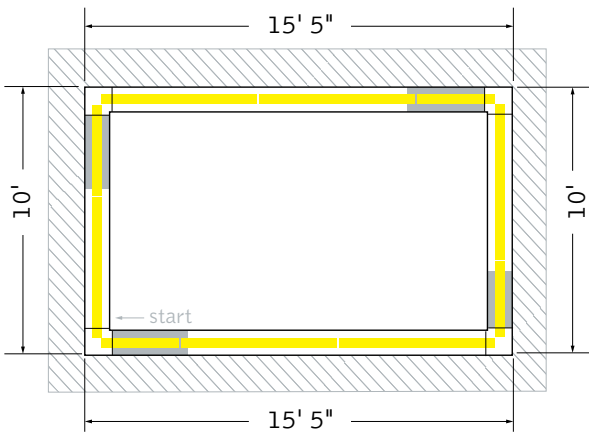
PAT-10'-IC-15'-5"-IC-10'

Z-Pattern



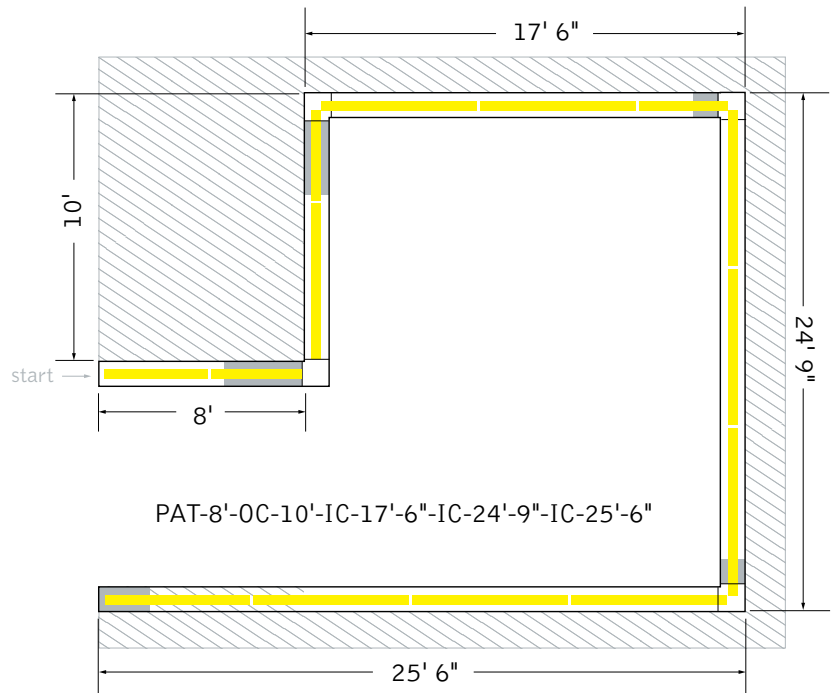
PAT-8'-OC-10'-IC-18'-3"

Square/Rectangular Pattern



PAT-10'-IC-15'-5"-IC-10'-IC-15'-5"-IC

Unique Pattern



PAT-8'-OC-10'-IC-17'-6"-IC-24'-9"-IC-25'-6"