



all on



inside only

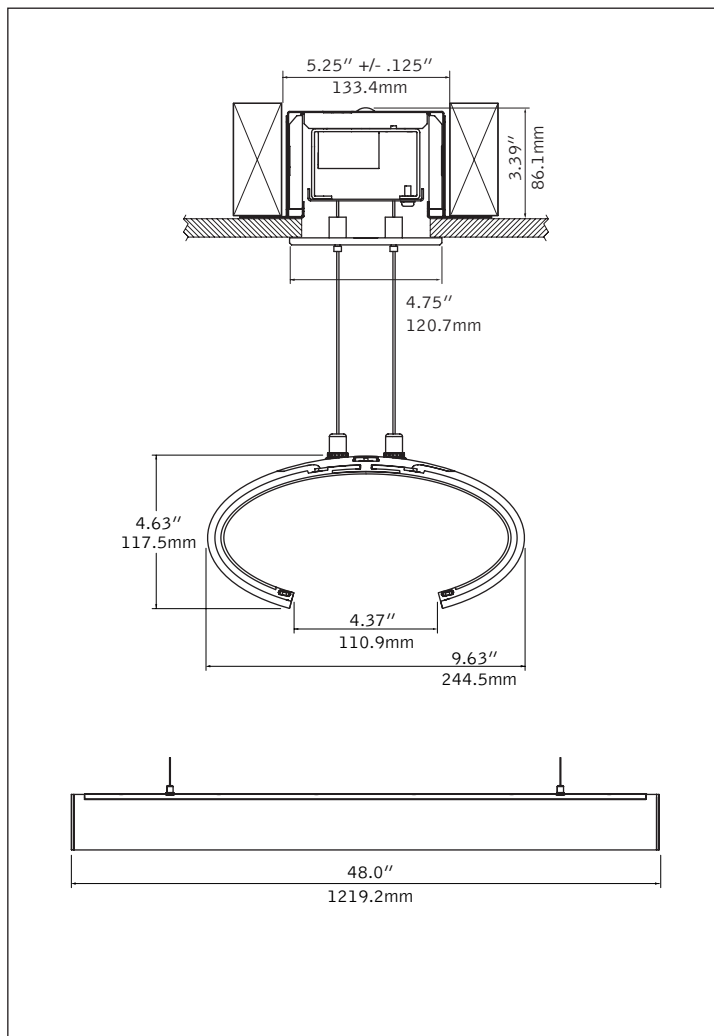


outside only



hard surface
canopy

DIMENSIONAL DATA



FEATURES

4' long decorative luminous LED pendant.

Elliptical body is edge lit to define a sparkling circular pattern and create a glowing, textured appearance.

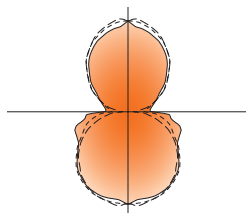
Concealed LEDs illuminate Theory's inside and outside surfaces independently.

Two circuits are standard with separate control of direct and indirect distributions.

Low voltage power is delivered via elegant and minimal aircraft cable suspensions.

Luxurious materials appear elegant even when Theory is not illuminated.

PERFORMANCE



PRODUCT OVERVIEW

Lumen Output: 1297-3373lm

Wattage: 34-94W

LPW: 34-38

SDCM: 3

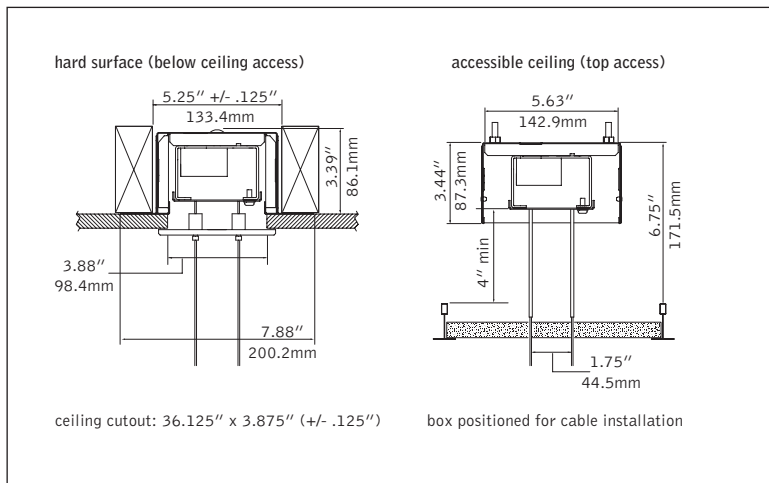
Lumen Maintenance: L70 @ 50,000hrs

Delivered Lumens: 3373lm

Total System Watts: 98W

Photometric performance is measured in accordance with IESNA LM-79. Visit focalpointlights.com for complete photometric data.

MOUNTING INFORMATION



SPECIFICATIONS

Construction

Molded patterned acrylic exterior mounted to aluminum body. Matte white interior reflector. Die cast endcaps in polished chrome finish. Pendant weight: 22 lbs.

LED System

Concealed linear LED modules. 0-10V dimming standard. Dimming range to 10%.

Mounting

White satin acrylic canopy and mounting yoke provided for hard surface applications for below ceiling access.

Suspension and Power

Low voltage power delivered via aircraft suspension/power cable. Adjustable suspension to 60", consult factory for longer lengths. Drivers in sheet metal enclosure above ceiling. Two circuits standard.

Labels

UL and cUL listed. Suitable for Dry or Damp Locations, indoor use only.

Lumen Maintenance

L70 at 50,000 hours.

Warranty

LED system rated for operation in ambient environments up to 25°C. 5 year limited warranty.

ORDERING

Luminaire Series		FTHPL
Theory	FTHPL	
Optic		LLP
Indirect/Direct with Luminous Patterned Light Guide	LLP	
LED System		LL1
Standard Output	LL1	
Color Temperature		
3000K	30K	
3500K	35K	
Circuits		2C
Dual Circuit	2C	
Voltage		
120 Volt	120	
277 Volt	277	
Driver		
0-10V - 10% Dimming	LD1	
Lutron A-Series Forward Phase (120 only)	LTE	
Lutron H-Series - 1% Dimming	LH1	
Lutron 5-Series - 5% EcoSystem Digital	LU5	
Housing Type		
T Rated (Lutron only)	T	
IC Rated (LD1 only)	IC	
Mounting		
Accessible Ceiling (Grid or other top access)	G	
Hard Surface (Below ceiling access only, canopy included)	HS	
Suspension and Power Feed		CLV60
60" adjustable aircraft cable with integral low voltage power delivery	CLV60	
Factory Options		CP
Chicago Plenum (LD1 only)	CP	