

# Fusion™

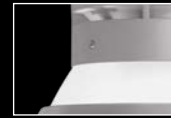
FLUORESCENT WITH FROSTED UPLIGHT RING



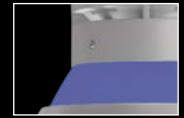
FOCAL POINT®



illuminated  
heat vent



frosted white  
upright ring



frosted blue  
upright ring

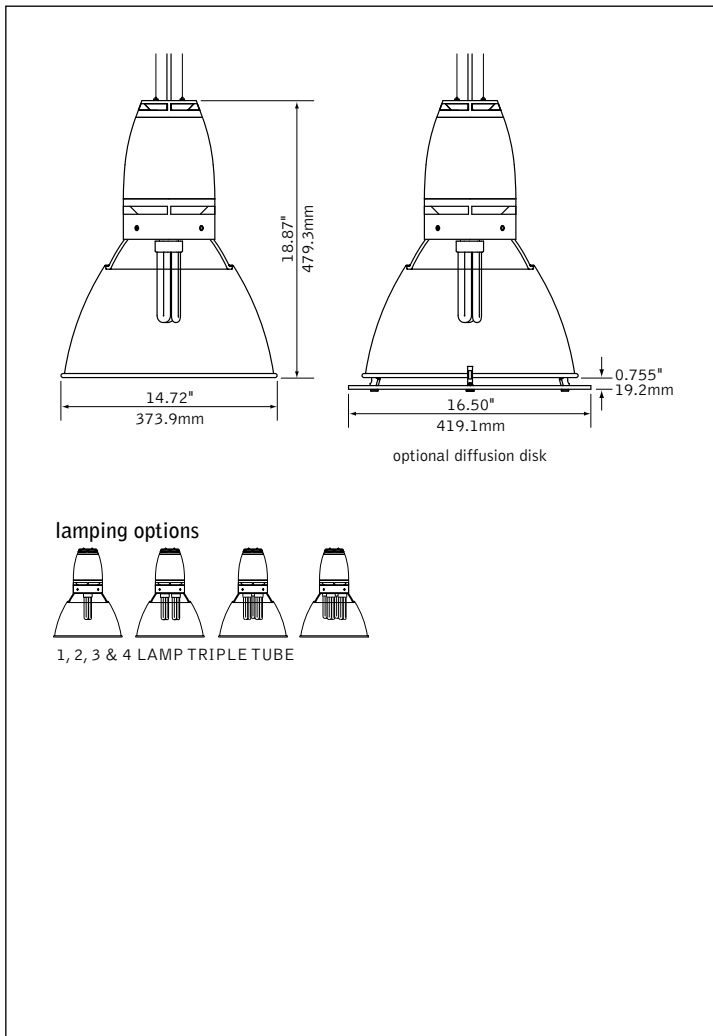


frosted white  
diffusion disk



frosted green  
diffusion disk

## DIMENSIONAL DATA



## FEATURES

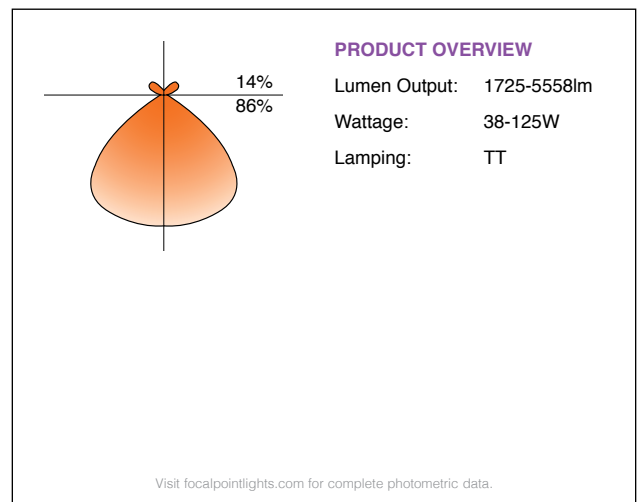
Pendant mount luminaire available in 1, 2, 3 and 4 lamp compact fluorescent.

Reflector with the frosted upright ring is a great solution for highlighting ceilings.

Fusion's™ refined appearance is a blend of highly tooled aluminum and precision die-cast components.

Ideally suited for retail, hospitality, lobbies, cafeterias, open ceiling areas and other specialty applications.

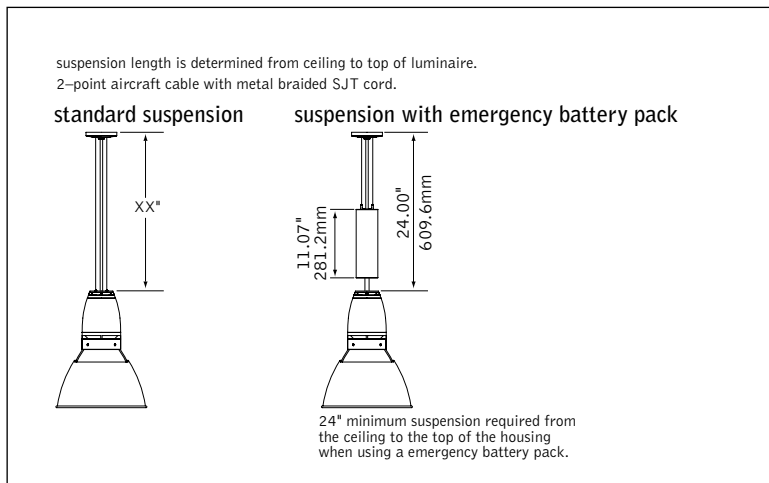
## PERFORMANCE



fixture:

project:

**SUSPENSION INFORMATION**



**SPECIFICATIONS**

**Construction**

Ballast enclosure constructed of 16Ga. spun aluminum center housing with die-cast ends. Ballast bracket constructed of 20Ga. galvanized steel. Reflector constructed of 16Ga. Spun aluminum, 14.72" Dia. and .235" thick frosted white borosilicate glass. Emergency battery pack housing constructed of 16Ga. steel tube, 11"H x 3.5" Dia. and 16Ga. C.R.S. ballast bracket. Canopy: 5" Dia. X .875"H., spun steel. Weight: 10 lbs.

**Optic**

16Ga., anodized aluminum reflector with low iridescent, matte anodized interior finish. Optional frosted white or green acrylic diffusion disk with polished edges are retained by aluminum fasteners and (3) #8-32 thumb screws.

**Electrical**

Luminaires are pre-wired for single circuit with thermally protected class "P" electronic ballast. Factory installed decorative metal braided power cord is included. White SJT power cord supplied for Emergency circuit, dimming and 347 volt. Triple tube compact fluorescent, 4-pin, one, two, three or four lamp 32W (Gx24q-3) and One, two or three lamp 42W (Gx24q-4).

**Labels**

UL and cUL listed.

**Finish**

Luminaire reflector and housing are clear anodized with clear polished satin finish. Castings finished in Bright Silver (BS). Reflector interior has matte diffuse finish. Die-cast housing caps finished in silver polyester powder coat applied over a 5-stage pre-treatment. Canopies finished in Matte Satin White.

**ORDERING**

<b>Luminaire Series</b>		<b>FSN</b>
Fusion	FSN	_____
<b>Profile</b>		_____
Reflector with	RUB	_____
Frosted Blue Uplight Ring		_____
Reflector with	RUW	_____
Frosted White Uplight Ring		_____
<b>Lamp Quantity</b>		_____
One Lamp	1	
Two Lamp	2	
Three Lamp	3	
Four Lamp	4	
<b>Lamp Type</b>		<b>32TT</b>
32W Triple Tube, GX24q-3	32TT	_____
<b>Circuit</b>		_____
Single Circuit	1C	
Dual Circuit	2C	
<small>(Multiple lamp fixtures only)</small>		
<b>Voltage</b>		_____
120 Volt	120	
277 Volt	277	
347 Volt	347	
<b>Ballast</b>		<b>S</b>
Electronic Program Start <10% THD	S	_____
<b>Suspension</b>		_____
24" Aircraft Cable	C24	
48" Aircraft Cable	C48	
96" Aircraft Cable	C96	
<b>Factory Options</b>		_____
Emergency Battery Pack*	EM	_____
HLR/GLR Fuse	FU	_____
Frosted Green Diffusion Disk	GD	_____
Frosted White Diffusion Disk	WD	_____
Include 3000K Lamp*	L830	_____
Include 3500K Lamp*	L835	_____
Include 4100K Lamp*	L841	_____