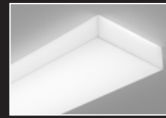
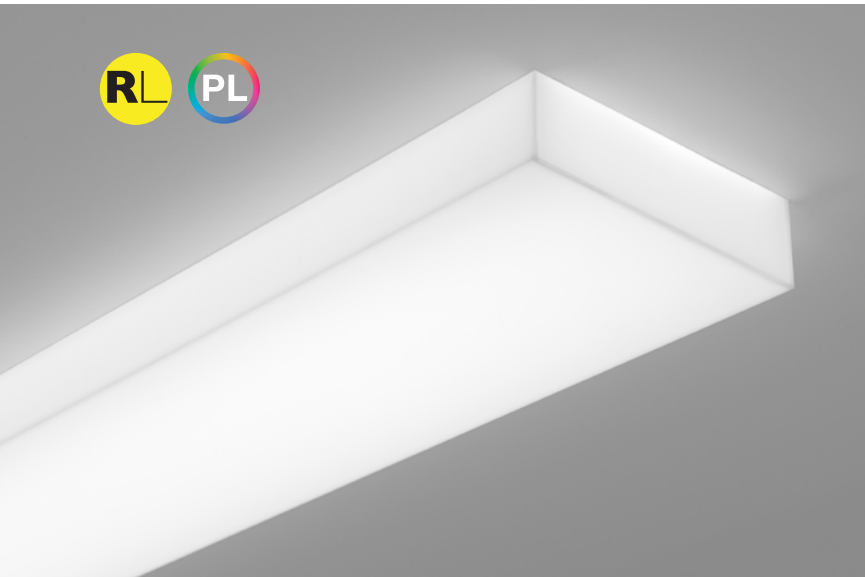


# Seem® 6

LED POP-DOWN LENS



trimless mud-in



grid

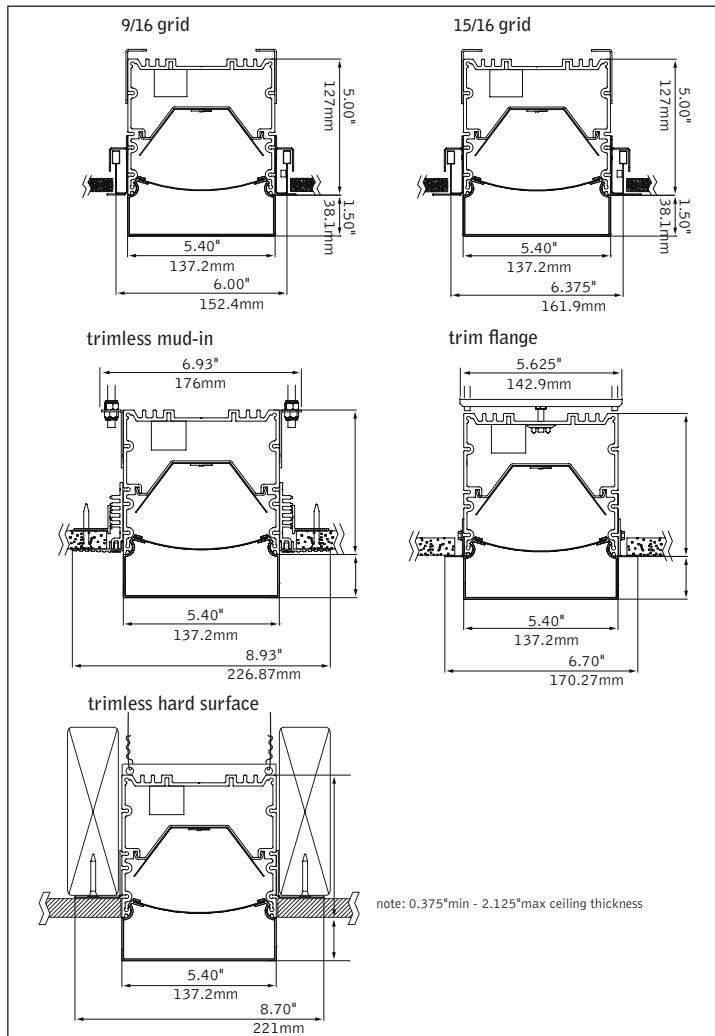


flush lens companion



regress lens companion

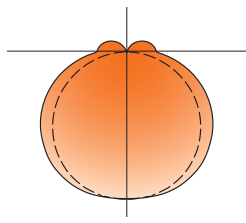
## DIMENSIONAL DATA



## FEATURES

- 6" aperture recessed LED slot with 1.5" pop-down lens.
- Integrates with ceiling in a variety of mounting styles for a clean aesthetic.
- Dimensional frosted acrylic lens provides uninterrupted illumination, without pixels or shadows.
- LED position and lens material optimized to provide the perfect blend of high performance and visual comfort.
- Preferred Light: Lighting for better color rendition and human preference.

## PERFORMANCE



**PRODUCT OVERVIEW**

Lumen Output: 1500-4000lm

Wattage: 18-51W

LPW: 72-77

SDCM: 3

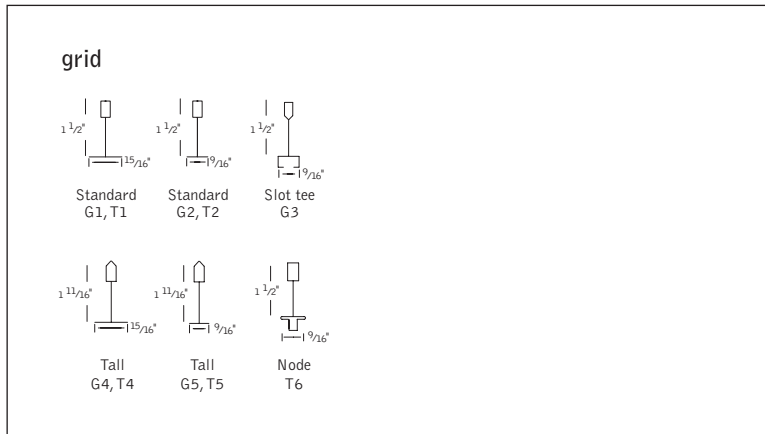
**4' Flush Lens**  
 625 Lumens per foot  
**Delivered Lumens: 2500lm**  
**Total System Watts: 30W**

Photometric performance is measured in accordance with IESNA LM-79.  
 Visit [focalpointlights.com](http://focalpointlights.com) for complete photometric data.

fixture:

project:

**DETAILS**



**SPECIFICATIONS**

**LED System**

Proprietary linear LED module incorporates premium LEDs on a robust platform to achieve excellent thermal management. LEDs are placed to promote a uniform appearance. Available in 2700K, 3000K, 3500K or 4000K with CRI>80 or CRI>90, 3SDCM. LED modules and drivers are replaceable from below.

**Construction**

One piece extruded aluminum housing. 20 Ga. steel end caps. Housing for new construction applications. XFW acceptable for use with wood, consult factory for Type IC availability. 2' unit weight: 18 lbs., 3' unit weight: 24 lbs., 4' unit weight: 30 lbs., 5' unit weight: 36 lbs.

**Optic**

Reflectors fabricated of 22 Ga. steel finished in High Reflectance White powder coat. Extruded acrylic lens .085" thick with satin finish, up to 8' continuous.

**Electrical**

Luminaires are pre-wired with factory installed branch circuit wiring and over-molded quick connects. Standard 120-277V constant current driver includes 0-10V analog dimming. Dimming range 100% to 10%. Power factor > .9.

**Emergency Battery**

Emergency output - 10 watts for 90 minutes. Maximum mounting height: 18ft. Emergency Circuit maximum mounting height: 21ft.

**Labels**

UL and cUL listed. Suitable for Dry or Damp Locations, indoor use only.

**Finish**

Polyester powder coat applied over a multi-stage pre-treatment.

**Lumen Maintenance**

Reported: L70 > 61,000 hours                      Calculated: L70 at > 350,000 hours  
 L90 > 61,000 hours                                      L90 at > 90,000 hours  
 (Derived from EPA TM-21 calculator. Based on typical conditions, consult factory for additional data.)

**Reliability**

At Focal Point, our products are designed to stand the test of time. Each luminaire is engineered using superior components, manufactured with the utmost care and rigorously tested. Contact us for reliability data.

**Warranty**

LED system rated for operation in ambient environments up to 25°C. 5-year limited warranty.

**4' PERFORMANCE CHART**

Shielding	Lumens per Foot	Delivered Lumens	Tested System Watts	LPW
1.5" Pop-Down lens	375LF	1500	18	77
	625LF	2500	30	77
	875LF	3500	44	74
	1000LF	4000	51	72

Based on 3500K, 80 CRI, 4' lengths. Lumen multipliers: Preferred Light = 0.65, 90+ CRI = 0.87. Lumen output may vary +/- 5%. Actual wattage may vary +/- 5%.

Focal Point LLC reserves the right to change specifications for product improvement without notification.

**ORDERING**

<b>Luminaire Series</b>	<b>FSM6L</b>	<b>FSM6L</b>
Seem 6 LED	FSM6L	
<b>Shielding</b>		<b>PD15</b>
1.5" Pop-Down Lens	PD15	
<b>Lumen Output</b>		
375 Lumens per foot <small>(Not available with LU5 &amp; LH1 Drivers)</small>	375LF	
625 Lumens per foot <small>(4' minimum with LU5 &amp; LH1 Drivers)</small>	625LF	
875 Lumens per foot <small>(3' minimum with LU5 &amp; LH1 Drivers)</small>	875LF	
1000 Lumens per foot	1000LF	
<b>Color Temperature</b>		
2700K, 80+ CRI or 90+ CRI	27K or 927K	
3000K, 80+ CRI or 90+ CRI	30K or 930K	
3500K, 80+ CRI or 90+ CRI	35K or 935K	
4000K, 80+ CRI or 90+ CRI	40K or 940K	
3500K, Preferred Light <small>(6" increments only)</small>	P35K	
<b>Circuit</b>		<b>1C</b>
Single Circuit	1C	
<b>Voltage</b>		<b>UNV</b>
120/277 UNV Volt	UNV	
<b>Control System &amp; Dimming Level</b>		
0-10V - 10% Dimming	LD1	
0-10V - 1% Dimming	L11	
Lutron Hi-Lume EcoSystem (LDE1) - 1% Dimming	LH1 LU5	
Lutron 5-Series EcoSystem (LDE5) - 5% Dimming		
DALI 1% Dimming	D11	
<b>Ceiling Configurations</b> <small>(See TechZone specific cutsheet for Armstrong TechZone Ceilings)</small>		
Std. 15/16" Lay-in	G1	
Std. 15/16" Tegular	T1	
Std. 9/16" Lay-in	G2	
Std. 9/16" Tegular	T2	
9/16" Slot-tee Tegular	G3	
Tall 15/16" Lay-in	G4	
Tall 15/16" Tegular	T4	
Tall 9/16" Lay-in	G5	
Tall 9/16" Tegular	T5	
Node 9/16" Tegular	T6	
Trim Flange Drywall	TF	
Trim Flange Wood	TFW	
Mud-in Trimless,	XF1	
pre-set for 1/2" Drywall		
Mud-in Trimless,	XF2	
pre-set for 5/8" Drywall		
Mud-in Trimless,	XFF	
set thickness in field <small>(Mounting equipment assembled in field)</small>		
Non-Drywall Hard Surface	XFN	
Hard Surface, Wood	XFW	
<b>Factory Options</b>		
Chicago Plenum	CP	
Emergency Circuit	EC	
Emergency Battery Pack <small>(4' lengths or longer)</small>	EM	
6' New York City Flex Whip (120V)	FNY1	
6' New York City Flex Whip (277V)	FNY2	
6' Flex Whip	FW	
<b>Finish</b>		<b>WH</b>
Matte White Housing	WH	
<b>Luminaire Length</b> <small>(Lengths are nominal)</small>		
	2'	
	3'	
	4'	
	5'	
	6'	
	7'	
	8'	
<small>(Smaller increments available. Consult factory for details.)</small>		

For more information visit focalpointlights.com/reference or consult factory.