

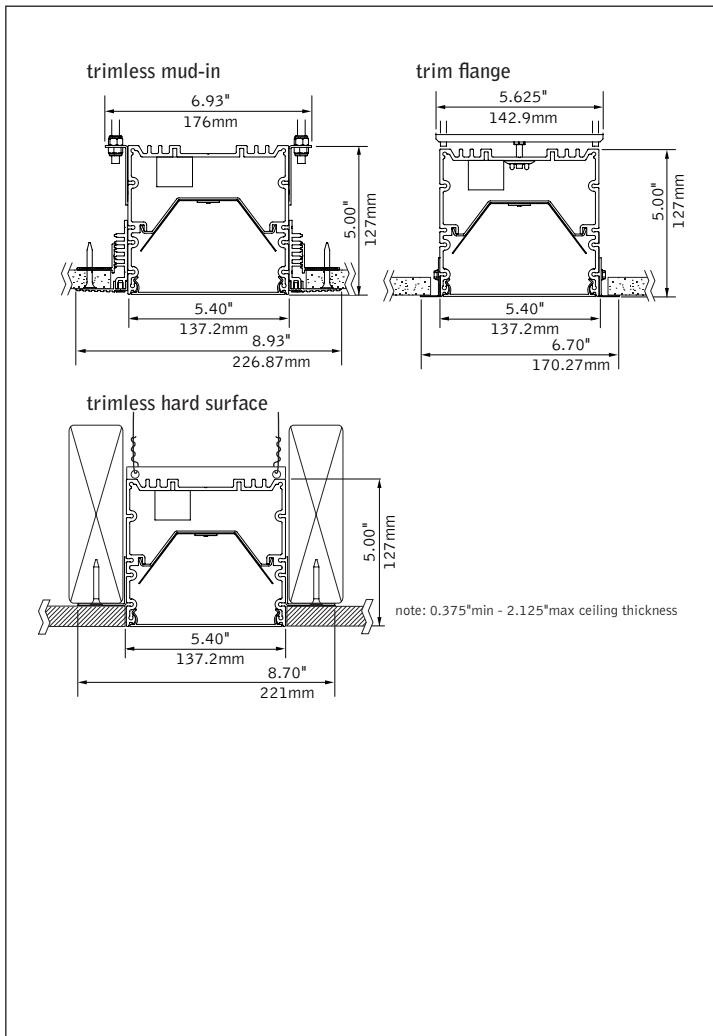
Seem® 6

LED - WET LOCATION



end detail

DIMENSIONAL DATA



FEATURES

Narrow extruded aluminum 6" aperture recessed slot LED suitable for wet location with Flush and Batwing lens options.

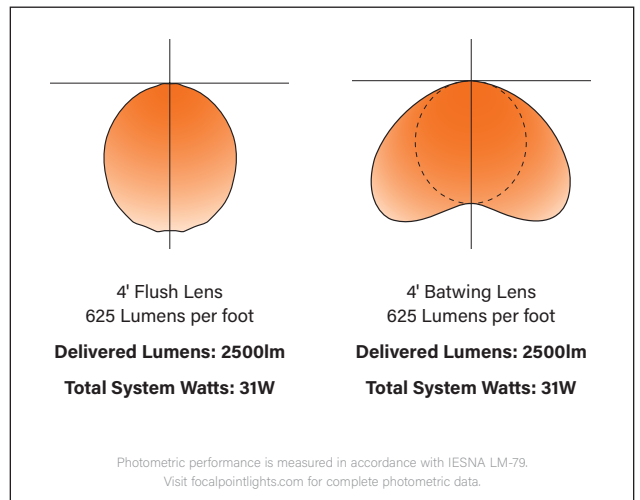
Frosted acrylic lens provides uninterrupted illumination, without pixels or shadows.

LED position and lens material optimized to provide the perfect blend of high performance and visual comfort.

Integrates with ceiling for a clean, unobtrusive aesthetic.

Individual units in 1' increments up to 8'.

PERFORMANCE



fixture:

project:

SPECIFICATIONS

LED System

Proprietary linear LED module incorporates premium LEDs on a robust platform to achieve excellent thermal management. LEDs are placed to promote a uniform appearance. Available in 3000K, 3500K or 4000K with CRI>80, 3 SDCM. LED modules and drivers are replaceable from below.

Construction

One piece extruded aluminum housing, 20 Ga. steel end caps. Housing for new construction applications. XFW acceptable for use with wood, consult factory for Type IC availability. 2' unit weight: 18 lbs., 3' unit weight: 24 lbs., 4' unit weight: 30 lbs., 5' unit weight: 36 lbs.

Optic

Reflectors fabricated of 22 Ga. steel finished in High Reflectance White powder coat. Extruded acrylic lens .085" thick with satin finish, up to 8' continuous.

Electrical

Luminaires are pre-wired with factory installed branch circuit wiring and over-molded quick connects. Standard 120-277V constant current driver includes 0-10V analog dimming. Dimming range 100% to 10%. Power factor > .9.

Emergency Battery

Emergency output - 10 watts for 90 minutes. Maximum mounting height: 18.8ft.

Labels

UL and cUL Listed for wet location recessed ceiling applications in indoor and outdoor environments. Lutron Drivers not recommended for outdoor environments below 0°C.

Finish

Polyester powder coat applied over a multi-stage pre-treatment.

Lumen Maintenance

Reported: L70 at >61,000 hours Calculated: L70 at 350,000 hours
 L90 at >61,000 hours L90 at 90,000 hours

Derived from EPA TM-21 calculator. Based on typical conditions, consult factory for additional data.

Reliability

At Focal Point, our products are designed to stand the test of time. Each luminaire is engineered using superior components, manufactured with the utmost care and rigorously tested. Contact us for reliability data.

Warranty

LED system rated for operation in ambient environments up to 35°C. 5-year limited warranty.

4' PERFORMANCE CHART

Lumen Output	Delivered Lumens	Tested System Watts	LPW	
			FL	BW
375	1500	18	88	98
625	2500	31	87	98
875	3500	44	85	95
1000	4000	51	85	94
1125	4500	54	84	94
1250	5000	61	82	92

Based on 3500K, 80 CRI, 4' lengths. Lumen output may vary +/- 5%. Actual wattage may vary +/- 5%.

ORDERING

Luminaire Series	FSM6LWL	_____
Seem 6 LED Wet Location	FSM6LWL	_____
Shielding		_____
Batwing Lens	BW	_____
Flush Satin Lens	FL	_____
<small>(BW & FL: ceiling applications only)</small>		
Lumen Output		_____
375 Lumens per foot	375LF	_____
625 Lumens per foot	625LF	_____
875 Lumens per foot	875LF	_____
1000 Lumens per foot	1000LF	_____
1125 Lumens per foot	1125LF	_____
1250 Lumens per foot	1250LF	_____
Color Temperature		_____
3000K, 80+ CRI	30K	_____
3500K, 80+ CRI	35K	_____
4000K, 80+ CRI	40K	_____
Circuits & Zones		_____
1 Circuit, non-emergency	1C	_____
Consult Ordering Guide on page 3 for multiple circuiting and zoning options	_C_Z_DL	_____
Voltage	UNV	_____
UNV 120/277 Volt	UNV	_____
Control System & Dimming Level		_____
0-10V - 10% Dimming	LD1	_____
0-10V - 1% Dimming <small>(Consult factory)</small>	L11	_____
Lutron H-Series - 1% Dimming	LH1	_____
Ceiling Configurations		_____
Trim Flange Drywall	TF	_____
Trim Flange Wood	TFW	_____
Mud-in Trimless, pre-set for 1/2" Drywall	XF1	_____
Mud-in Trimless, pre-set for 5/8" Drywall	XF2	_____
Mud-in Trimless, set thickness in field <small>(Mounting equipment assembled in field)</small>	XFF	_____
Non-Drywall Hard Surface	XFN	_____
Hard Surface, Wood	XFW	_____
Factory Options <small>(See Ordering Guide on page 3 for ordering details for DC, EC, EM & ECD.)</small>		_____
Chicago Plenum <small>(Not available with Flex Whip)</small>	CP	_____
Daylight Circuit	_DC	_____
Emergency Circuit	_EC	_____
Emergency Battery Pack†	_EM	_____
Emergency Control Device† <small>†(4' minimum.)</small>	_ECD	_____
6' New York City Flex Whip (120V)	FNY1	_____
6' New York City Flex Whip (277V)	FNY2	_____
6' Flex Whip	FW	_____
Finish	WH	_____
Matte White Housing	WH	_____
Luminaire Length <small>(Lengths are nominal)</small>		_____
2'	2'	_____
3'	3'	_____
4'	4'	_____
5'	5'	_____
6'	6'	_____
7'	7'	_____
8'	8'	_____
<small>(Smaller increments available. Consult factory for details.)</small>		

Ordering Guide

Linear Circuitry, Zones & Factory Options



HOW TO USE THIS GUIDE

Fill out the worksheet on the following page to specify your requirements for circuitry, zones, and factory options.

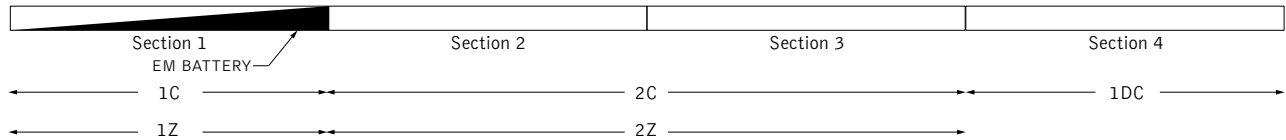
Refer to the run chart for standard run configurations, consult factory for custom configurations.

Complete the Totals / Ordering Codes at the bottom of the worksheet and add to your ordering logic on the cut sheet.

Submit the worksheet along with your order.

TOTAL RUN LENGTH: <u>32ft</u>		JOB NAME: _____			FIXTURE TYPE: _____			
HOUSING SECTION	SECTION LENGTH	SHARED ELECTRICAL FEED, NORMAL POWER			FACTORY OPTIONS			
		SWITCHING CIRCUIT	DIMMING ZONE	DAYLIGHT ZONE	SEPARATE ELECTRICAL FEEDS			EM
					DAYLIGHT CIRCUIT	EMERGENCY CIRCUIT	ECD	
1	8	1C	1Z					1EM
2	8	2C	2Z					
3	8	2C	2Z					
4	8				1DC			
Totals / Ordering Codes		2C	2Z		1DC			1EM

ORDERING: FSM4L-FL-625LF-35K- **2C2Z** -UNV-LD1-G2- **1DC-1EM** -WH-32ft



KEY	
C = Switching Circuit Switched Hot / Shared Neutral	DC = Daylight Circuit Switched Hot / Separate Neutral
Z = Dimming Zone Dimming Control Wires	EC = Emergency Circuit Switched Hot / Separate Neutral
DL = Daylight Zone Daylight Dimming Control Wires	EM = Emergency Battery Unswitched Hot / Shared Neutral
	ECD = Emergency Control Device Unswitched Hot / Separate Neutral

DEFAULTS

- Zones and Factory Options illuminate entire sections from 4' to 8' in length.
- One shared or isolated circuit and zone required per housing section.
- Limit of one EM or ECD per housing section.
- Additional electrical feed required for applications greater than three shared circuits and zones.
- Each DC, EC and ECD require an additional electrical feed.
- ECD not available in the same housing section as EC.
- Longer lead times and additional pricing may apply for custom run configurations.

CUSTOM LENGTHS

- If partial illumination of emergency or daylight section is required, indicate in ordering guide and add "partial illumination" in Order Notes. Drawing required.
- Engineering validation required, longer lead times may apply.

Ordering Guide Worksheet

Linear Circuitry, Zones & Factory Options



TOTAL RUN LENGTH: _____		JOB NAME: _____			FIXTURE TYPE: _____			
HOUSING SECTION	SECTION LENGTH	SHARED ELECTRICAL FEED, NORMAL POWER			FACTORY OPTIONS			EM
		SWITCHING CIRCUIT	DIMMING ZONE	DAYLIGHT ZONE	SEPARATE ELECTRICAL FEEDS			
DAYLIGHT CIRCUIT	EMERGENCY CIRCUIT				ECD			
1								
2								
3								
4								
5								
6								
7								
8								
9								
10								
11								
12								
13								
14								
15								
16								
17								
18								
19								
20								
Totals / Ordering Codes								

WORKSHEET

Combine to create Circuits & Zones ordering code

Enter as individual Factory Options

RUN CHART

Run length (ft)	Housing Configuration Section Lengths	Run length (ft)	Housing Configuration Section Lengths	Run length (ft)	Housing Configuration Section Lengths	Run length (ft)	Housing Configuration Section Lengths
9	5 + 4	21	8 + 8 + 5	33	8 + 8 + 8 + 5 + 4	45	8 + 8 + 8 + 8 + 8 + 5
10	6 + 4	22	8 + 8 + 6	34	8 + 8 + 8 + 6 + 4	46	8 + 8 + 8 + 8 + 8 + 6
11	7 + 4	23	8 + 8 + 7	35	8 + 8 + 8 + 7 + 4	47	8 + 8 + 8 + 8 + 8 + 7
12	8 + 4	24	8 + 8 + 8	36	8 + 8 + 8 + 8 + 4	48	8 + 8 + 8 + 8 + 8 + 8
13	8 + 5	25	8 + 8 + 5 + 4	37	8 + 8 + 8 + 8 + 5		
14	8 + 6	26	8 + 8 + 6 + 4	38	8 + 8 + 8 + 8 + 6		
15	8 + 7	27	8 + 8 + 7 + 4	39	8 + 8 + 8 + 8 + 7		
16	8 + 8	28	8 + 8 + 8 + 4	40	8 + 8 + 8 + 8 + 8		
17	8 + 5 + 4	29	8 + 8 + 8 + 5	41	8 + 8 + 8 + 8 + 5 + 4		
18	8 + 6 + 4	30	8 + 8 + 8 + 6	42	8 + 8 + 8 + 8 + 6 + 4		
19	8 + 7 + 4	31	8 + 8 + 8 + 7	43	8 + 8 + 8 + 8 + 7 + 4		
20	8 + 8 + 4	32	8 + 8 + 8 + 8	44	8 + 8 + 8 + 8 + 8 + 4		

Standard run configurations, consult factory for custom configurations.