

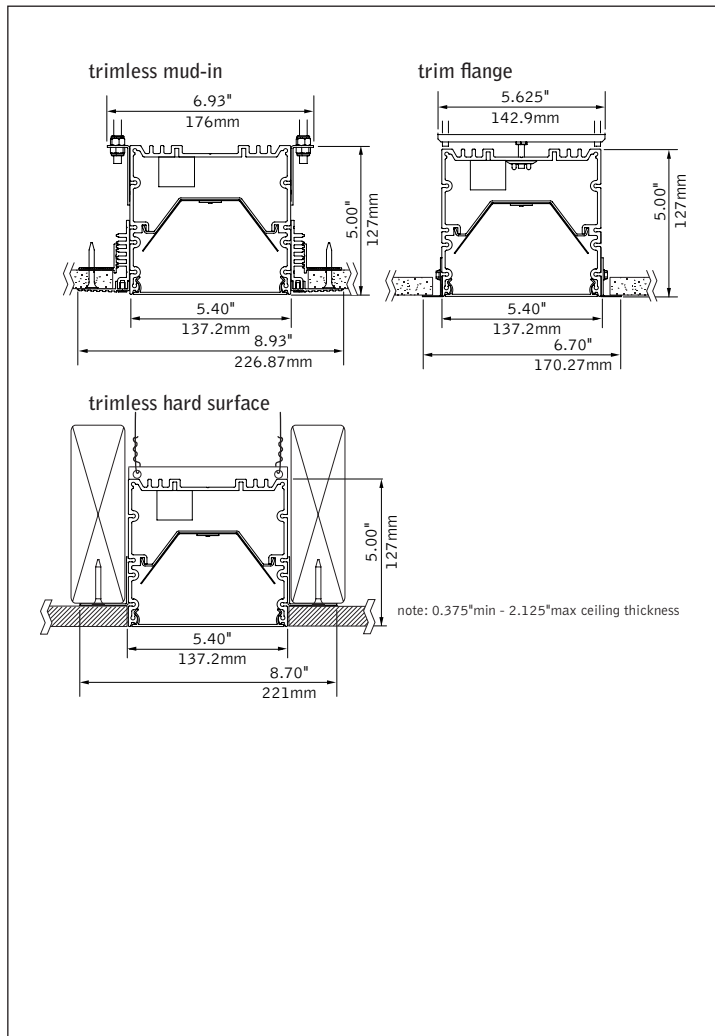
Seem® 6

LED - WET LOCATION



end detail

DIMENSIONAL DATA



FEATURES

Narrow extruded aluminum 6" aperture recessed slot LED suitable for wet location..

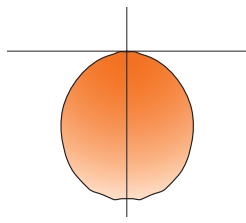
Integrates with ceiling for a clean, unobtrusive aesthetic.

Individual units in 1' increments up to 8'.

Frosted acrylic lens provides uninterrupted illumination, without pixels or shadows.

LED position and lens material optimized to provide the perfect blend of high performance and visual comfort.

PERFORMANCE



PRODUCT OVERVIEW

Lumen Output: 1500-4000lm

Wattage: 15-51W

LPW: 78-83

SDCM: 3

4' Flush Lens
625 Lumens per foot

Delivered Lumens: 2500lm

Total System Watts: 30W

Photometric performance is measured in accordance with IESNA LM-79. Visit focalpointlights.com for complete photometric data.

fixture:

project:

SPECIFICATIONS

LED System

Proprietary linear LED module incorporates premium LEDs on a robust platform to achieve excellent thermal management. LEDs are placed to promote a uniform appearance. Available in 3000K, 3500K or 4000K with CRI>80, 3SDCM. LED modules and drivers are replaceable from below.

Construction

One piece extruded aluminum housing. 20 Ga. steel end caps. Housing for new construction applications. XFW acceptable for use with wood, consult factory for Type IC availability. 2' unit weight: 18 lbs., 3' unit weight: 24 lbs., 4' unit weight: 30 lbs., 5' unit weight: 36 lbs.

Optic

Reflectors fabricated of 22 Ga. steel finished in High Reflectance White powder coat. Extruded acrylic lens .085" thick with satin finish, up to 8' continuous.

Electrical

Luminaires are pre-wired with factory installed branch circuit wiring and over-molded quick connects. Standard 120-277V constant current driver includes 0-10V analog dimming. Dimming range 100% to 10%. Power factor > .9.

Emergency Battery

Emergency output - 10 watts for 90 minutes. Maximum mounting height: 18.8ft.

Labels

UL and cUL Listed for wet location recessed ceiling applications in indoor and outdoor environments. Lutron Drivers not recommended for outdoor environments below 0°C.

Finish

Polyester powder coat applied over a multi-stage pre-treatment.

Lumen Maintenance

Reported: L70 at >61,000 hours Calculated: L70 at 350,000 hours
 L90 at >61,000 hours L90 at 90,000 hours

Derived from EPA TM-21 calculator. Based on typical conditions, consult factory for additional data.

Reliability

At Focal Point, our products are designed to stand the test of time. Each luminaire is engineered using superior components, manufactured with the utmost care and rigorously tested. Contact us for reliability data.

Warranty

LED system rated for operation in ambient environments up to 35°C. 5-year limited warranty.

4' PERFORMANCE CHART

| Shielding | Lumens per Foot | Delivered Lumens | Tested System Watts | LPW |
|------------|-----------------|------------------|---------------------|-----|
| Flush Lens | 375LF | 1500 | 18 | 83 |
| | 625LF | 2500 | 30 | 83 |
| | 875LF | 3500 | 44 | 80 |
| | 1000LF | 4000 | 51 | 78 |

Based on 3500K, 4' lengths. Lumen output may vary +/- 5%. Actual wattage may vary +/- 5%.

ORDERING

| Luminaire Series | FSM6LWL |
|--|------------|
| Seem 6 LED Wet Location | FSM6LWL |
| Shielding | FL |
| Flush Satin Lens <small>(Ceiling applications only)</small> | FL |
| Lumen Output | |
| 375 Lumens per foot | 375LF |
| 625 Lumens per foot | 625LF |
| 875 Lumens per foot | 875LF |
| 1000 Lumens per foot | 1000LF |
| Color Temperature | |
| 3000K | 30K |
| 3500K | 35K |
| 4000K | 40K |
| Circuit | 1C |
| Single Circuit | 1C |
| Voltage | UNV |
| UNV 120/277 Volt | UNV |
| Control System & Dimming Level | |
| 0-10V - 10% Dimming | LD1 |
| 0-10V - 1% Dimming <small>(Consult factory)</small> | L11 |
| Lutron H-Series - 1% Dimming | LH1 |
| Lutron 5-Series - 5% EcoSystem Digital | LU5 |
| Ceiling Configurations | |
| Trim Flange Drywall | TF |
| Trim Flange Wood | TFW |
| Mud-in Trimless, pre-set for 1/2" Drywall | XF1 |
| Mud-in Trimless, pre-set for 5/8" Drywall | XF2 |
| Mud-in Trimless, set thickness in field <small>(Mounting equipment assembled in field)</small> | XFF |
| Non-Drywall Hard Surface | XFN |
| Hard Surface, Wood | XFW |
| Factory Options | |
| Chicago Plenum | CP |
| Emergency Circuit | EC |
| Emergency Battery Pack <small>(4' lengths or longer)</small> | EM |
| 6' New York City Flex Whip (120V) | FNY1 |
| 6' New York City Flex Whip (277V) | FNY2 |
| 6' Flex Whip | FW |
| Finish | WH |
| Matte White Housing | WH |
| Luminaire Length <small>(Lengths are nominal)</small> | |
| | 2' |
| | 3' |
| | 4' |
| | 5' |
| | 6' |
| | 7' |
| | 8' |
| <small>(Smaller increments available. Consult factory for details.)</small> | |