

Seem® 6

LED FOR TECHZONE™ CEILING SYSTEMS



FOCAL POINT®



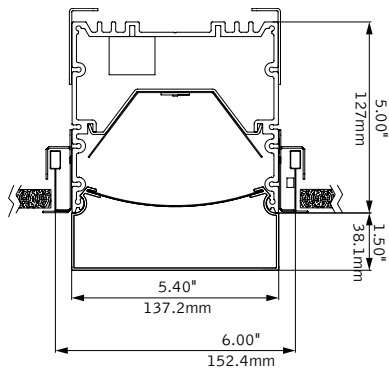
flush lens companion



regress lens companion



DIMENSIONAL DATA



FEATURES

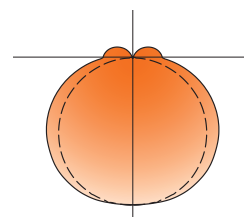
6" aperture recessed LED slot with 1.5" pop-down lens.

Integrates with TechZone™ Ceiling Systems for a clean, unobtrusive aesthetic.

Dimensional frosted acrylic lens provides uninterrupted illumination, without pixels or shadows.

LED position and lens material optimized to provide the perfect blend of high performance and visual comfort.

PERFORMANCE



4' Flush Lens
625 Lumens per foot

Delivered Lumens: 2500lm

Total System Watts: 30W

PRODUCT OVERVIEW

Lumen Output: 1500-4000lm

Wattage: 18-51W

LPW: 72-77

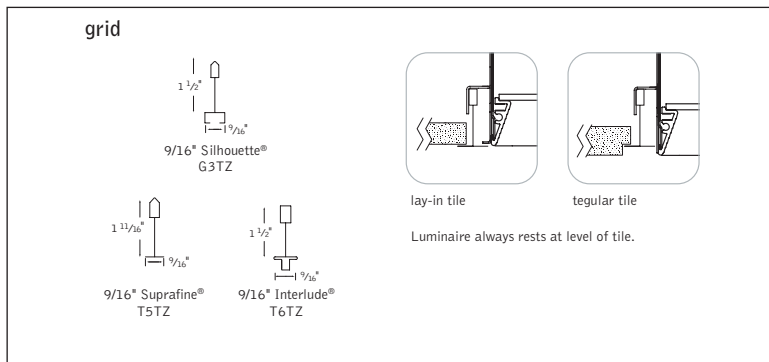
SDCM: 3

Photometric performance is measured in accordance with IESNA LM-79.
Visit focalpointlights.com for complete photometric data.

fixture:

project:

MOUNTING INFORMATION



SPECIFICATIONS

LED System

Proprietary linear LED module incorporates premium LEDs on a robust platform to achieve excellent thermal management. LEDs are placed to promote a uniform appearance. Available in 3000K, 3500K or 4000K with CRI>80, 3SDCM. LED modules and drivers are replaceable from below.

Construction

One piece extruded aluminum housing. 20 Ga. steel end caps. Housing for new construction applications. 2' weight: 18 lbs., 3' weight: 24 lbs., 4' weight: 30 lbs., 5' weight: 36 lbs.

Optic

Reflectors fabricated of 22 Ga. steel finished in High Reflectance White powder coat. Extruded acrylic lens .085" thick with satin finish, up to 8' continuous.

Electrical

Luminaires are pre-wired with factory installed branch circuit wiring and over-molded quick connects. Standard 120-277V constant current driver includes 0-10V analog dimming. Dimming range 100% to 10%. Power factor > .9.

Emergency Battery

Emergency output - 10 watts for 90 minutes. Maximum mounting height: 18ft. Emergency Circuit maximum mounting height: 21ft.

Labels

UL and cUL listed. Suitable for Dry or Damp Locations, indoor use only.

Finish

Polyester powder coat applied over a multi-stage pre-treatment.

Lumen Maintenance

Reported: L70 at >61,000 hours Calculated: L70 at 350,000 hours
 L90 at >61,000 hours L90 at 90,000 hours

Derived from EPA TM-21 calculator. Based on typical conditions, consult factory for additional data.

Reliability

At Focal Point, our products are designed to stand the test of time. Each luminaire is engineered using superior components, manufactured with the utmost care and rigorously tested. Contact us for reliability data.

Warranty

LED system rated for operation in ambient environments up to 25°C. 5-year limited warranty.

4' PERFORMANCE CHART

Shielding	Lumens per Foot	Delivered Lumens	Tested System Watts	LPW
1.5" Pop-Down lens	375LF	1500	18	77
	625LF	2500	30	77
	875LF	3500	44	74
	1000LF	4000	51	72

Based on 3500K, 4' lengths. Lumen output may vary +/- 7%. Actual wattage may vary +/- 5%

ORDERING

Luminaire Series	FSM6L
Seem 6 TechZone LED	FSM6L
Shielding	PD15
1.5" Pop-Down Lens	PD15
Lumen Output	
375 Lumens per foot	375LF
(Not available with LU5 & LH1 Drivers)	
625 Lumens per foot	625LF
(4' minimum with LU5 & LH1 Drivers)	
875 Lumens per foot	875LF
(3' minimum with LU5 & LH1 Drivers)	
1000 Lumens per foot	1000LF
Color Temperature	
3000K	30K
3500K	35K
4000K	40K
3500K Preferred Light	P35K
Circuit	1C
Single Circuit	1C
Voltage	UNV
120/277 UNV Volt	UNV
Control System & Dimming Level	
0-10V - 10% Dimming	LD1
0-10V - 1% Dimming	L11
Lutron Hi-Lume EcoSystem (LDE1) - 1% Dimming	LH1
Lutron 5-Series EcoSystem (LDE5) - 5% Dimming	LU5
DALI 1% Dimming	D11
TechZone™ Ceiling System Configurations	
9/16" Silhouette Slot-tee Tegular	G3TZ
9/16" Suprafine Tegular	T5TZ
9/16" Interlude Node Tegular	T6TZ
Factory Options	
Chicago Plenum	CP
Emergency Circuit	EC
Emergency Battery Pack (4' lengths or longer)	EM
6' New York City Flex Whip (120V)	FNY1
6' New York City Flex Whip (277V)	FNY2
6' Flex Whip	FW
Finish	WH
Matte White Housing	WH
Luminaire Length (Lengths are nominal)	
2'	2'
3'	3'
4'	4'
5'	5'
6'	6'
7'	7'
8'	8'
<small>(Smaller increments available. Consult factory for details.)</small>	