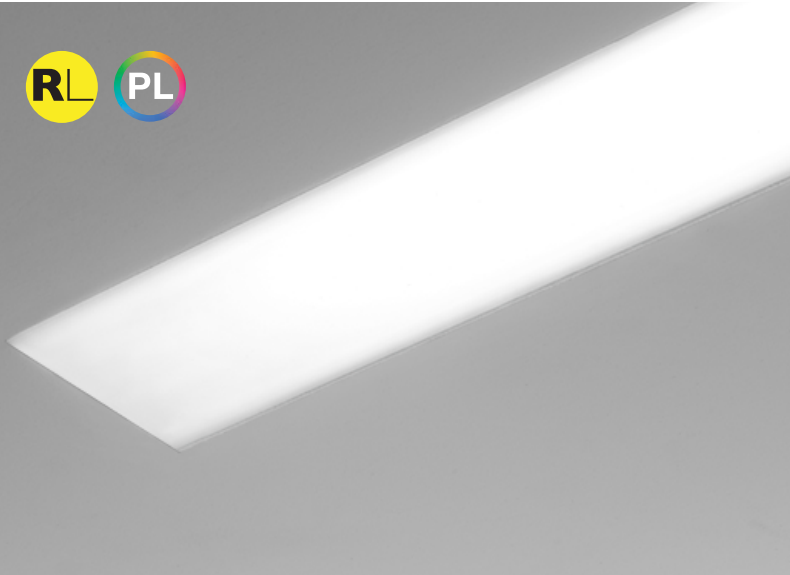


# Seem<sup>®</sup> 4 Drywall/Hard Ceiling

LED



trimless mud-in



trim flange



regress lens



corner detail



wall to ceiling companion



grid ceiling companion

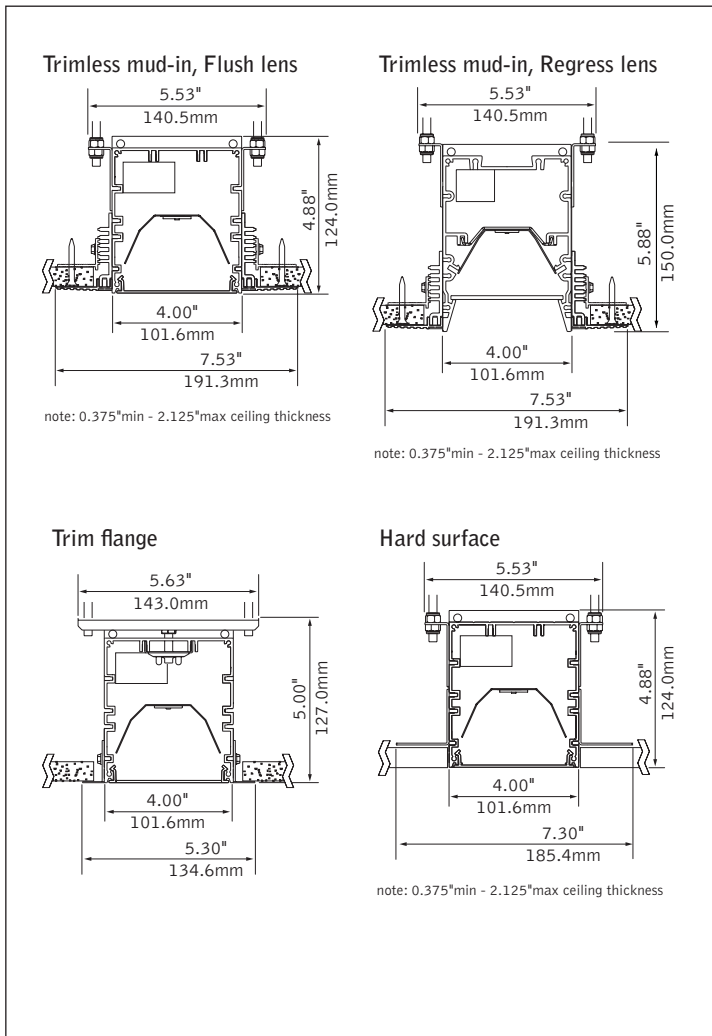


perimeter companion



suspended companion

## DIMENSIONAL DATA



## FEATURES

Extruded aluminum 4" aperture recessed slot LED integrates with drywall or hard ceilings or walls in a variety of mounting styles for a clean, unobtrusive aesthetic.

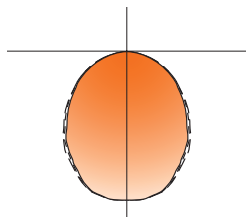
Individual units and continuous runs in 1" increments.

Frosted acrylic lens provides uninterrupted illumination, without pixels or shadows.

LED position and lens material optimized to provide the perfect blend of high performance and visual comfort.

Preferred Light: Lighting for better color rendition and human preference.

## PERFORMANCE



**PRODUCT OVERVIEW**

Lumen Output: 1606-4240lm

Wattage: 14-46W


LPW: 88-115

SDCM: 3

4" Flush Lens  
Nominal output:  
375 Lumens per foot

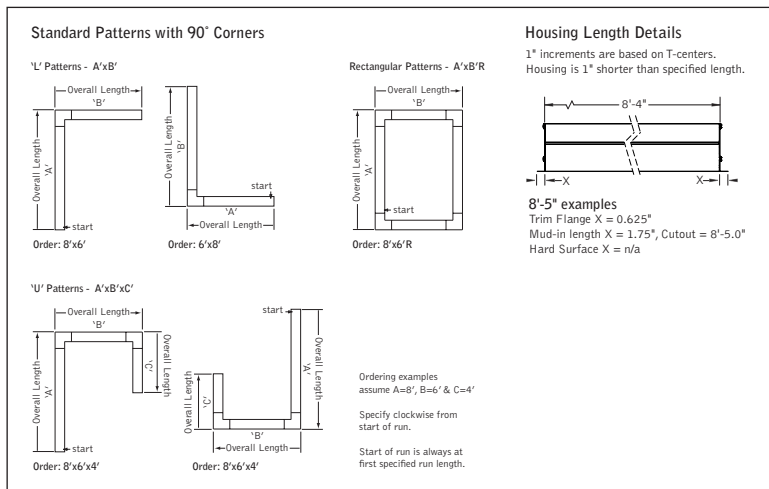
**Delivered Lumens: 1690lm**

**Total System Watts: 16W**



Photometric performance is measured in accordance with IESNA LM-79. Visit focalpointlights.com for complete photometric data.

**DETAILS**



**SPECIFICATIONS**

**LED System**

Proprietary linear LED module incorporates premium LEDs on a robust platform to achieve excellent thermal management. LEDs are placed to promote a uniform appearance. Available in 2700K, 3000K, 3500K or 4000K with CRI>80 or CRI>90, 3SDCM. LED modules and drivers are replaceable from below.

**Construction**

One piece extruded aluminum housing. 20 Ga. steel end caps. Housing for new construction applications. XFW acceptable for use with wood, consult factory for Type IC availability. 2' unit weight: 12 lbs., 3' unit weight: 16 lbs., 4' unit weight: 20 lbs., 5' unit weight: 24 lbs.

**Optic**

Reflectors fabricated of 22 Ga. steel finished in High Reflectance White powder coat. Extruded acrylic lens .085" thick with satin finish, up to 8' continuous.

**Electrical**

Luminaires are pre-wired with factory installed branch circuit wiring and over-molded quick connects. Standard 120-277V constant current driver includes 0-10V analog dimming. Power factor >.9.

**Emergency**

Output - 10 watts for 90 minutes. Maximum mounting height: 19.2ft. See EM/EC Guide for default locations and ordering details.

**Labels**

UL and cUL listed. Suitable for Dry or Damp Locations, indoor use only.

**Finish**

Polyester powder coat applied over a multi-stage pre-treatment.

**Lumen Maintenance**

Reported: L70 > 61,000 hours      Calculated: L70 at > 480,000 hours  
 L90 > 61,000 hours                  L90 at > 128,000 hours  
 (Derived from EPA T M-21 calculator. Based on typical conditions, consult factory for additional data.)

**Reliability**

At Focal Point, our products are designed to stand the test of time. Each luminaire is engineered using superior components, manufactured with the utmost care and rigorously tested. Contact us for reliability data.

**Warranty**

LED system rated for operation in ambient environments up to 25°C. 5-year limited warranty.

**4' PERFORMANCE CHART**

Shielding	Lumens per Foot	Delivered Lumens	Tested System Watts	LPW
Flush Lens	375LF	1690	16	106
	625LF	2810	26	109
	875LF	3860	37	105
	1000LF	4240	42	101
Regress Lens	375LF	1606	17	95
	625LF	2581	27	96
	875LF	3502	39	90
	1000LF	4020	46	88
Regress High Performance	375LF	1606	14	115
	625LF	2581	23	113
	875LF	3502	33	107
	1000LF	4020	39	104

Based on 3500K, 80 CRI, 4' lengths. Lumen multipliers: Preferred Light = 0.65, 90+ CRI = 0.87.

Lumen output may vary +/- 5%. Actual wattage may vary +/- 5%.

Focal Point LLC reserves the right to change specifications for product improvement without notification.

**ORDERING**

**Luminaire Series**

Seem 4 LED **FSM4L**

**Shielding**

Flush Satin Lens **FL**

Regress Lens **SR**

Regress High Performance Lens **SRXP**

(Ceiling applications only)

(Ceiling applications only)

**Lumen Output**

275 Lumens per foot **275LF**

(Not available with Lutron Drivers.)

375 Lumens per foot **375LF**

(Not available with LU5 & LH1 Drivers)

625 Lumens per foot **625LF**

(FL & SR 3' minimum with LU5 & LH1 Drivers. SRXP 4' minimum with LU5 & LH1 Drivers.)

875 Lumens per foot **875LF**

(SR & SRXP 3' minimum with LU5 & LH1 Drivers)

1000 Lumens per foot **1000LF**

**Color Temperature**

2700K, 80+ CRI or 90+ CRI **27K or 927K**

3000K, 80+ CRI or 90+ CRI **30K or 930K**

3500K, 80+ CRI or 90+ CRI **35K or 935K**

4000K, 80+ CRI or 90+ CRI **40K or 940K**

3500K, Preferred Light **P35K**

(Flush Lens only. 6" increments. Patterns not available.)

**Circuit**

Single Circuit **1C**

**Voltage**

UNV 120/277 Volt **UNV**

**Control System & Dimming Level**

0-10V - 10% Dimming **LD1**

0-10V - 1% Dimming **L11**

Lutron Hi-Lume EcoSystem (LDE1) - **LH1**

1% Dimming

Lutron 5-Series EcoSystem (LDE5) - **LU5**

5% Dimming

DALI 1% Dimming **D11**

**Ceiling Configuration**

Trim Flange Drywall **TF**

(3' minimum with Lutron Drivers)

Trim Flange Wood **TFW**

(3' minimum with Lutron Drivers)

Mud-in Trimless, pre-set for 1/2" Drywall **XF1**

Mud-in Trimless, pre-set for 5/8" Drywall **XF2**

Mud-in Trimless, set thickness in field **XFF**

(Mounting equipment assembled in field)

Non-Drywall Hard Surface **XFN**

Hard Surface, Wood **XFW**

**Factory Options**

Chicago Plenum **CP**

Emergency Circuit **\_EC**

(4' minimum.)

Emergency Battery Pack **\_EM**

(4' minimum. Not available at corners. See EM/EC Guide for default locations and ordering details.)

6' New York City Flex Whip (120V) **FNY1**

6' New York City Flex Whip (277V) **FNY2**

6' Flex Whip **FW**

**Finish**

Matte White Housing **WH**

**Luminaire Length**

Specify luminaire/row length in 1" increments **\_ft\_in**

(2' minimum, lengths are nominal 1" increments based on T-centers. Housing length is 1" shorter than specified. Leave blank for patterns. Smaller increments available, consult factory.)

**Pattern Options**

(3' minimum length)

'L' pattern **A' x B'**

'U' pattern **A' x B' x C'**

Rectangular pattern **A' x B'R**

(Consult factory for other pattern options)



Options in orange qualify for the Quickship program. Run lengths in 1" increments. 2' minimum length. 400' total. Refer to Quickship Guide for complete details including EM/EC options.

# Seem® EM/EC Guide

ASM1S, FSM1, FSM1S, FSM1W, FSM1BS, FSM1BW, FSM2L-FL, FSM2L-FL2, FSM2LS, FSM2LW, FSM4L-FL/SR/SRXP, FSM4L-FL2, FSM4LS, FSM4LW, FSM4LP, FSM6L-FL/SR/SRXP\*



## DEFAULT LOCATIONS

- By default, EM/EC are located at the end (last section) of a run when one EM/EC location is specified, and at the start and end when two locations are specified.
- EM/EC illuminate entire sections from 4' to 8' in length.
- Feed location is at start of run. All EC's are fed individually at the end of each fixture segment.

### 1 EM/EC – END OF RUN



Ordering example: FSM4L-FL... **1EM-WH-36ft**

### 2 EM/EC – START & END OF RUN

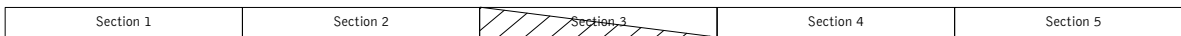


Ordering example: FSM4L-FL... **2EM-WH-36ft**

## ALTERNATE LOCATIONS AND QUANTITIES

- If more than two locations are required, or specific locations within run need to be specified, indicate in the ordering string.

### ONE EM IN 3<sup>RD</sup> SECTION



Ordering example: FSM4L-FL... **1EM-3-WH-40ft**

### THREE EM IN 1<sup>ST</sup>, 3<sup>RD</sup> AND 6<sup>TH</sup> SECTIONS



Ordering example: FSM4L-FL... **3EM-1-3-6-WH-48ft**

## CUSTOM LENGTHS

- If partial illumination of emergency section is required, indicate quantity in ordering string and partial illumination in Order Notes. Drawing required.
- Longer lead times may apply.

Run length (ft)	Housing Configuration Section Lengths
9	5 + 4
10	6 + 4
11	7 + 4
12	8 + 4
13	8 + 5
14	8 + 6
15	8 + 7
16	8 + 8
17	8 + 5 + 4
18	8 + 6 + 4
19	8 + 7 + 4
20	8 + 8 + 4
21	8 + 8 + 5
22	8 + 8 + 6
23	8 + 8 + 7
24	8 + 8 + 8
25	8 + 8 + 5 + 4
26	8 + 8 + 6 + 4
27	8 + 8 + 7 + 4

Run length (ft)	Housing Configuration Section Lengths
28	8 + 8 + 8 + 4
29	8 + 8 + 8 + 5
30	8 + 8 + 8 + 6
31	8 + 8 + 8 + 7
32	8 + 8 + 8 + 8
33	8 + 8 + 8 + 5 + 4
34	8 + 8 + 8 + 6 + 4
35	8 + 8 + 8 + 7 + 4
36	8 + 8 + 8 + 8 + 4
37	8 + 8 + 8 + 8 + 5
38	8 + 8 + 8 + 8 + 6
39	8 + 8 + 8 + 8 + 7
40	8 + 8 + 8 + 8 + 8
41	8 + 8 + 8 + 8 + 5 + 4
42	8 + 8 + 8 + 8 + 6 + 4
43	8 + 8 + 8 + 8 + 7 + 4
44	8 + 8 + 8 + 8 + 8 + 4
45	8 + 8 + 8 + 8 + 8 + 5
46	8 + 8 + 8 + 8 + 8 + 6
47	8 + 8 + 8 + 8 + 8 + 7
48	8 + 8 + 8 + 8 + 8 + 8

Standard run configurations, consult factory for custom configurations.

\*Recessed and suspended only. Does not include direct/indirect, pop-down lens or asymmetric options.