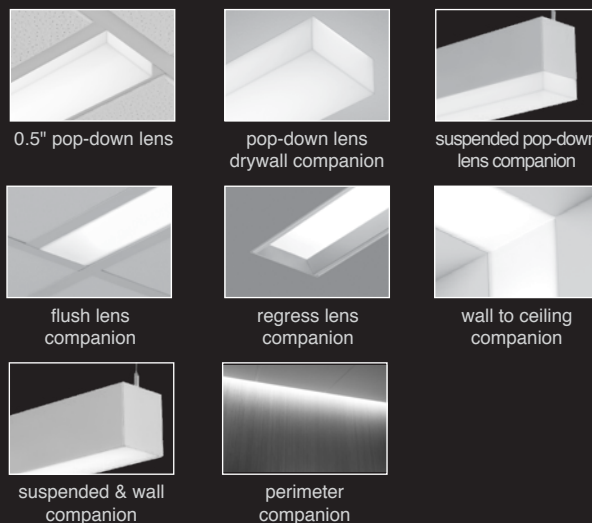
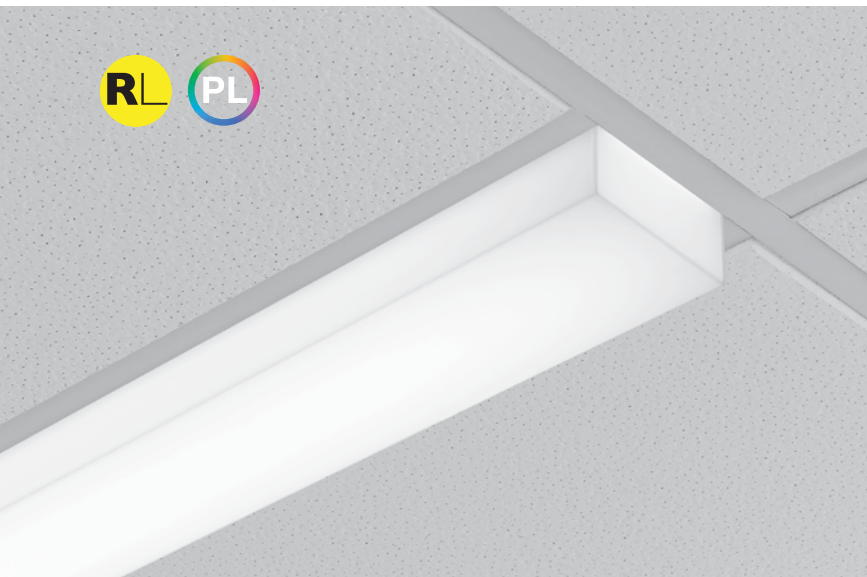
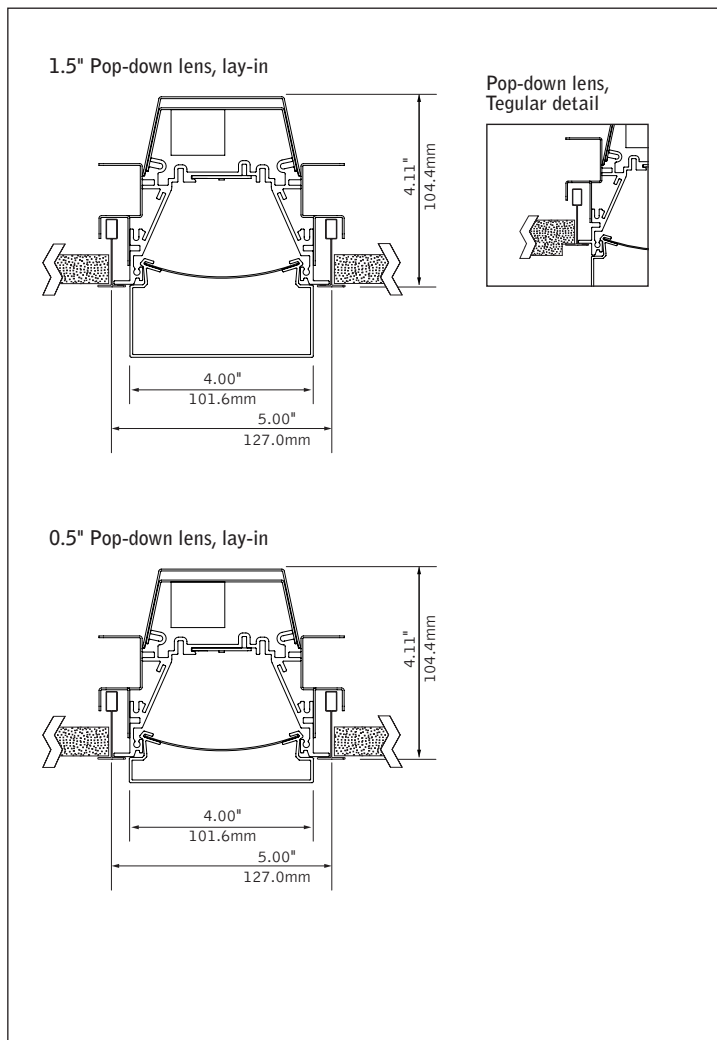


Seem[®] 4 Grid Ceiling

LED WITH POP-DOWN LENS



DIMENSIONAL DATA



FEATURES

4" aperture recessed LED slot with 0.5" or 1.5" Pop-Down lens integrates with grid ceilings for a clean, unobtrusive aesthetic.

Dimensional frosted acrylic lens provides uninterrupted illumination, without pixels or shadows.

LED position and lens material optimized to provide the perfect blend of high performance and visual comfort.

Preferred Light: Lighting for better color rendition and human preference.

PERFORMANCE

PRODUCT OVERVIEW

- Lumen Output: 1000 - 3000
- Wattage: 14 - 47
- LPW: 76 - 86
- SDCM: 3

4' - 1.5" Pop-Down Lens
Nominal output:
750 Lumens per foot

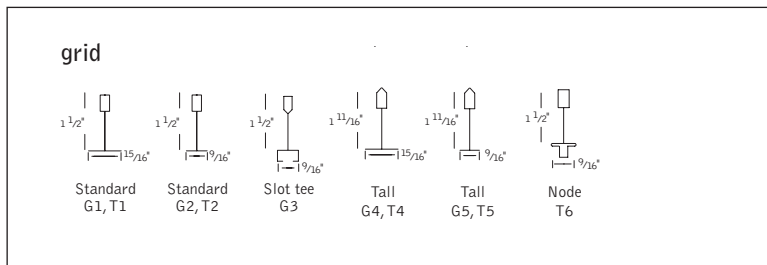
Delivered Lumens: 3109
Total System Watts: 36

Photometric performance is measured in accordance with IESNA LM-79. Visit focalpointlights.com for complete photometric data.

fixture:

project:

DETAILS



SPECIFICATIONS

LED System

Proprietary linear LED module incorporates premium LEDs on a robust platform to achieve excellent thermal management. LEDs are placed to promote a uniform appearance. Available in 2700K, 3000K, 3500K or 4000K with CRI>80 or CRI>90, 3SDCM. LED modules are replaceable from below. Drivers are replaceable from above.

Construction

One piece extruded aluminum housing. 20 Ga. steel end caps. Housing for new construction applications. 4' unit weight: 11 lbs., 8' unit weight: 22 lbs.

Optic

Reflectors fabricated of 22 Ga. steel finished in High Reflectance White powder coat. Extruded acrylic lens .06" thick with frosted finish, up to 8' continuous.

Electrical

Luminaires are pre-wired with factory installed branch circuit wiring and over-molded quick connects. Standard 120-277V constant current driver includes 0-10V analog dimming. Power factor >.9.

Emergency Battery

Emergency output - 10 watts for 90 minutes. Maximum mounting height: 16.2ft

Labels

UL and cUL listed. Suitable for Dry or Damp Locations, indoor use only.

Finish

Polyester powder coat applied over a multi-stage pre-treatment.

Lumen Maintenance

Reported: L70 > 61,000 hours Calculated: L70 at > 480,000 hours
 L90 > 61,000 hours L90 at > 128,000 hours
 (Derived from EPA TM-21 calculator. Based on typical conditions, consult factory for additional data.)

Reliability

At Focal Point, our products are designed to stand the test of time. Each luminaire is engineered using superior components, manufactured with the utmost care and rigorously tested. Contact us for reliability data.

Warranty

LED system rated for operation in ambient environments up to 25°C. 5-year limited warranty.

4' PERFORMANCE CHART

Shielding	Lumens per Foot	Delivered Lumens	Tested System Watts	LPW
0.5" Pop-Down Lens	275LF	1107	14	79
	375LF	1505	20	77
	625LF	2507	33	76
	750LF	3000	36	78
1.5" Pop-Down Lens	275LF	1107	13	83
	375LF	1502	18	85
	625LF	2518	29	86
	750LF	3000	36	85

Based on 3500K, 80 CRI, 4' lengths. Lumen multipliers: Preferred Light = 0.65, 90+ CRI = 0.87. Lumen output may vary +/- 5%. Actual wattage may vary +/- 5%.

ORDERING

Luminaire Series	FSM4L
Seem 4 LED	FSM4L
Shielding	
0.5" Pop-Down Lens	PD05
1.5" Pop-Down Lens <small>(2' - 8' individual units only)</small>	PD15
Lumen Output	
275 Lumens per foot <small>(Not available with Lutron Drivers.)</small>	275LF
375 Lumens per foot <small>(Not available with LU5 & LH1 Drivers)</small>	375LF
625 Lumens per foot <small>(3' minimum with LU5 & LH1 Drivers.)</small>	625LF
750 Lumens per foot	750LF
Color Temperature	
2700K, 80+ CRI or 90+ CRI	27K or 927K
3000K, 80+ CRI or 90+ CRI	30K or 930K
3500K, 80+ CRI or 90+ CRI	35K or 935K
4000K, 80+ CRI or 90+ CRI	40K or 940K
3500K, Preferred Light	P35K
Circuit	1C
Single Circuit	1C
Voltage	UNV
120/277 UNV Volt	UNV
Control System & Dimming Level	
0-10V - 10% Dimming	LD1
0-10V - 1% Dimming	L11
Lutron Hi-Lume EcoSystem (LDE1) - 1% Dimming	LH1
Lutron 5-Series EcoSystem (LDE5) - 5% Dimming	LU5
DALI 1% Dimming	D11
Ceiling Configuration	
Std. 15/16" Lay-in	G1
Std. 15/16" Tegular	T1
Std. 9/16" Lay-in	G2
Std. 9/16" Tegular	T2
9/16" Slot-tee Tegular	G3
Tall 15/16" Lay-in	G4
Tall 15/16" Tegular	T4
Tall 9/16" Lay-in	G5
Tall 9/16" Tegular	T5
Node 9/16" Tegular	T6
Factory Options	
Chicago Plenum	CP
Emergency Circuit	EC
Emergency Battery Pack <small>(4' lengths or longer, not available at corners)</small>	EM
6' New York City Flex Whip (120V)	FNY1
6' New York City Flex Whip (277V)	FNY2
6' Flex Whip	FW
Finish	WH
Matte White Housing	WH
Luminaire Length	
Specify luminaire/row length in 1' increments	XX'
<small>(1.5" Pop-Down lens available in 2' - 8' individual units only. Smaller increments available. Consult factory for details.)</small>	