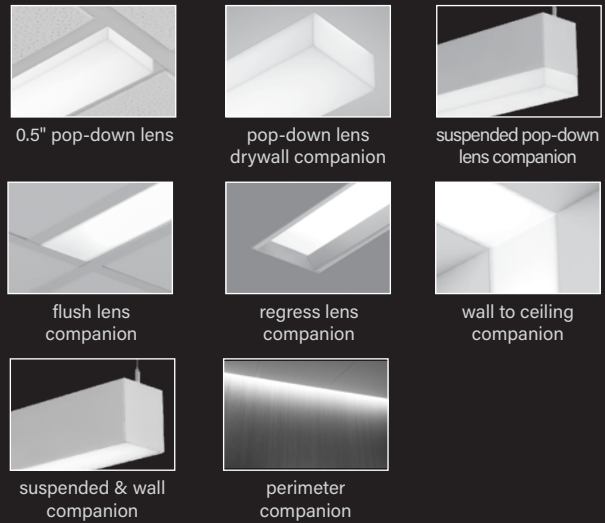
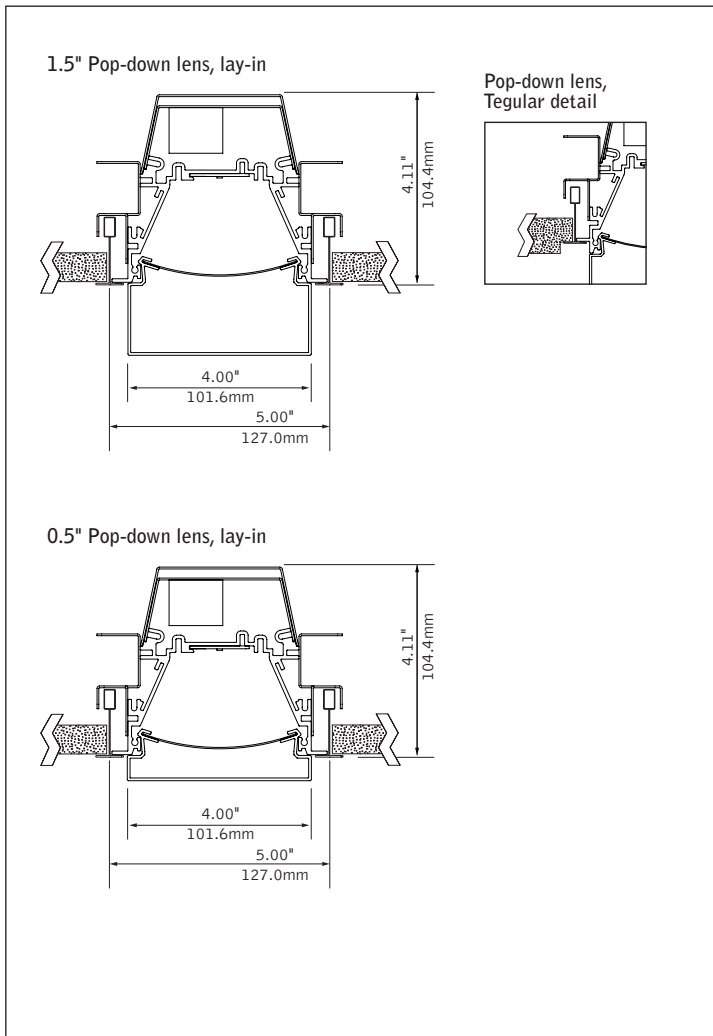


Seem® 4 Grid Ceiling

LED WITH POP-DOWN LENS



DIMENSIONAL DATA



FEATURES

4" aperture recessed LED slot with 0.5" or 1.5" Pop-Down lens integrates with grid ceilings for a clean, unobtrusive aesthetic.

Dimensional frosted acrylic lens provides uninterrupted illumination, without pixels or shadows.

LED position and lens material optimized to provide the perfect blend of high performance and visual comfort.

Preferred Light: Lighting for better color rendition and human preference.

PoE compatible: Integrates with Power over Ethernet lighting systems via standard, low-voltage wires.

PERFORMANCE

PRODUCT OVERVIEW

Lumen Output: 1000 - 3000

Wattage: 14 - 47

LPW: 76 - 86

SDCM: 3

4' - 1.5" Pop-Down Lens
Nominal output:
750 Lumens per foot

Delivered Lumens: 3109

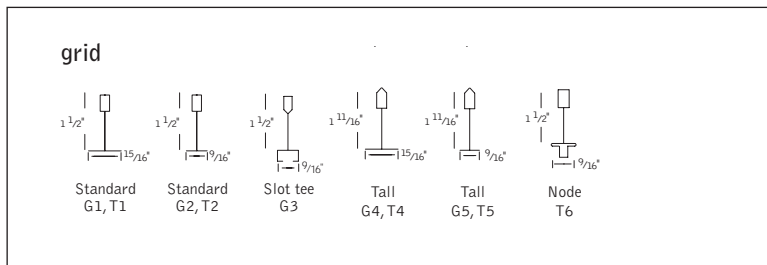
Total System Watts: 36

Photometric performance is measured in accordance with IESNA LM-79. Visit focalpointlights.com for complete photometric data.

fixture:

project:

DETAILS



SPECIFICATIONS

LED System

Proprietary linear LED module incorporates premium LEDs on a robust platform to achieve excellent thermal management. LEDs are placed to promote a uniform appearance. Available in 2700K, 3000K, 3500K or 4000K with CRI>80 or CRI>90, 3 SDCM. 3500K and 4000K with CRI>90 have a cyanosis observation index (COI) of 3.3 or less. LED modules are replaceable from below. Drivers are replaceable from above.

Construction

One piece extruded aluminum housing, 20 Ga. steel end caps. Housing for new construction applications. 4' unit weight: 11 lbs., 8' unit weight: 22 lbs.

Optic

Reflectors fabricated of 22 Ga. steel finished in High Reflectance White powder coat. Extruded acrylic lens .06" thick with frosted finish, up to 8' continuous.

Electrical

Luminaires are pre-wired with factory installed branch circuit wiring and over-molded quick connects. Standard 120-277V constant current driver includes 0-10V analog dimming. Power factor >.9. PoE compatible: Integrates with Power over Ethernet lighting systems via standard, low-voltage wires. PoE runs require an independent PoE node and power feed for each luminaire section.

Emergency Battery

Emergency output - 10 watts for 90 minutes. Maximum mounting height: 16.2ft

Labels

UL and cUL listed. Suitable for Dry or Damp Locations, indoor use only.

Finish

Polyester powder coat applied over a multi-stage pre-treatment.

Lumen Maintenance

Reported: L70 > 61,000 hours Calculated: L70 at > 480,000 hours
 L90 > 61,000 hours L90 at > 128,000 hours
 (Derived from EPA TM-21 calculator. Based on typical conditions, consult factory for additional data.)

Reliability

At Focal Point, our products are designed to stand the test of time. Each luminaire is engineered using superior components, manufactured with the utmost care and rigorously tested. Contact us for reliability data.

Warranty

LED system rated for operation in ambient environments up to 25°C. 5-year limited warranty.

4' PERFORMANCE CHART

Shielding	Lumens per Foot	Delivered Lumens	Tested System Watts	LPW
0.5" Pop-Down Lens	275LF	1107	14	79
	375LF	1505	20	77
	625LF	2507	33	76
	750LF	3000	36	78
1.5" Pop-Down Lens	275LF	1107	13	83
	375LF	1502	18	85
	625LF	2518	29	86
	750LF	3000	36	85

Based on 3500K, 80 CRI, 4' lengths. Lumen multipliers: Preferred Light = 0.65, 90+ CRI = 0.87. Lumen output may vary +/- 5%. Actual wattage may vary +/- 5%.

ORDERING

Luminaire Series

Seem 4 LED **FSM4L**

Shielding

0.5" Pop-Down Lens **PD05**

1.5" Pop-Down Lens **PD15**

(2' - 8' individual units only)

Lumen Output

275 Lumens per foot **275LF**

(Not available with Lutron Drivers.)

375 Lumens per foot **375LF**

(Not available with LH1.)

625 Lumens per foot **625LF**

(3' minimum with LH1.)

750 Lumens per foot **750LF**

Color Temperature

2700K, 80+ CRI or 90+ CRI **27K or 927K**

3000K, 80+ CRI or 90+ CRI **30K or 930K**

3500K, 80+ CRI or 90+ CRI **35K or 935K**

4000K, 80+ CRI or 90+ CRI **40K or 940K**

3500K, Preferred Light **P35K**

Circuits & Zones

1 Circuit, non-emergency **1C**

Consult Ordering Guide on page 3 for multiple circuiting and zoning options **_C_Z_DL**

Voltage

120/277 UNV Volt **UNV**

Low Voltage **LV**

Control System & Dimming Level

0-10V - 10% Dimming **LD1**

0-10V - 1% Dimming **L11**

Low Voltage, PoE compatible **LVN**

(No driver. Not available with EM or EC. LV Voltage only)

Lutron Hi-Lume EcoSystem (LDE1) -

1% Dimming **LH1**

DALI 1% Dimming **D11**

Ceiling Configuration

Std. 15/16" Lay-in **G1**

Std. 15/16" Tegular **T1**

Std. 9/16" Lay-in **G2**

Std. 9/16" Tegular **T2**

9/16" Slot-tee Tegular **G3**

Tall 15/16" Lay-in **G4**

Tall 15/16" Tegular **T4**

Tall 9/16" Lay-in **G5**

Tall 9/16" Tegular **T5**

Node 9/16" Tegular **T6**

Factory Options

(See Ordering Guide on page 3 for ordering details for DC, EC, EM & ECD.)

Chicago Plenum **CP**

Daylight Circuit **_DC**

Emergency Circuit **_EC**

(Not available with Flex Whip)

Emergency Battery Pack[†] **_EM**

Emergency Control Device[†] **_ECD**

[†](4' minimum, 120/277 Volt only)

6' New York City Flex Whip (120V) **FNY1**

6' New York City Flex Whip (277V) **FNY2**

6' Flex Whip **FW**

Finish

Matte White Housing **WH**

Luminaire Length

Specify luminaire/row length

in 1' increments **X'**

(2' minimum. 1.5" Pop-Down lens available in 2' - 8' individual units only. Smaller increments available. Consult factory for details.)



Options in orange qualify for the Quickship program. Run lengths in 1' increments, 1000' total. Refer to Quickship Guide for complete details including EM/EC options.

Ordering Guide Worksheet

Linear Circuitry, Zones & Factory Options



TOTAL RUN LENGTH: _____		JOB NAME: _____			FIXTURE TYPE: _____			
HOUSING SECTION	SECTION LENGTH	SHARED ELECTRICAL FEED, NORMAL POWER			FACTORY OPTIONS			EM
		SWITCHING CIRCUIT	DIMMING ZONE	DAYLIGHT ZONE	SEPARATE ELECTRICAL FEEDS			
DAYLIGHT CIRCUIT	EMERGENCY CIRCUIT				ECD			
1								
2								
3								
4								
5								
6								
7								
8								
9								
10								
11								
12								
13								
14								
15								
16								
17								
18								
19								
20								
Totals / Ordering Codes								

WORKSHEET

Combine to create Circuits & Zones ordering code

Enter as individual Factory Options

RUN CHART

Run length (ft)	Housing Configuration Section Lengths	Run length (ft)	Housing Configuration Section Lengths	Run length (ft)	Housing Configuration Section Lengths	Run length (ft)	Housing Configuration Section Lengths
9	5 + 4	21	8 + 8 + 5	33	8 + 8 + 8 + 5 + 4	45	8 + 8 + 8 + 8 + 8 + 5
10	6 + 4	22	8 + 8 + 6	34	8 + 8 + 8 + 6 + 4	46	8 + 8 + 8 + 8 + 8 + 6
11	7 + 4	23	8 + 8 + 7	35	8 + 8 + 8 + 7 + 4	47	8 + 8 + 8 + 8 + 8 + 7
12	8 + 4	24	8 + 8 + 8	36	8 + 8 + 8 + 8 + 4	48	8 + 8 + 8 + 8 + 8 + 8
13	8 + 5	25	8 + 8 + 5 + 4	37	8 + 8 + 8 + 8 + 5		
14	8 + 6	26	8 + 8 + 6 + 4	38	8 + 8 + 8 + 8 + 6		
15	8 + 7	27	8 + 8 + 7 + 4	39	8 + 8 + 8 + 8 + 7		
16	8 + 8	28	8 + 8 + 8 + 4	40	8 + 8 + 8 + 8 + 8		
17	8 + 5 + 4	29	8 + 8 + 8 + 5	41	8 + 8 + 8 + 8 + 5 + 4		
18	8 + 6 + 4	30	8 + 8 + 8 + 6	42	8 + 8 + 8 + 8 + 6 + 4		
19	8 + 7 + 4	31	8 + 8 + 8 + 7	43	8 + 8 + 8 + 8 + 7 + 4		
20	8 + 8 + 4	32	8 + 8 + 8 + 8	44	8 + 8 + 8 + 8 + 8 + 4		

Standard run configurations, consult factory for custom configurations.