

Seem® 4 LED

Grid Ceiling Regressed Lens | FSM4L-SR



FOCAL POINT®



BEFORE YOU BEGIN

- Luminaires must be installed by a qualified electrician (check with local and national codes for proper installation).
- To prevent electrical shock, disconnect electrical supply before installation or servicing.
- Contractor is responsible for adequately reinforcing walls and/or ceilings to support fixture weight.
- Focal Point, LLC accepts no responsibility for inadequately reinforced walls and/or ceilings.
- The information contained in this drawing is the sole property of Focal Point, LLC. Any reproduction in part or whole without the written permission of Focal Point, LLC is prohibited.

INSTRUCTION KEY



ATTENTION



SEE ADDITIONAL INSTRUCTIONS



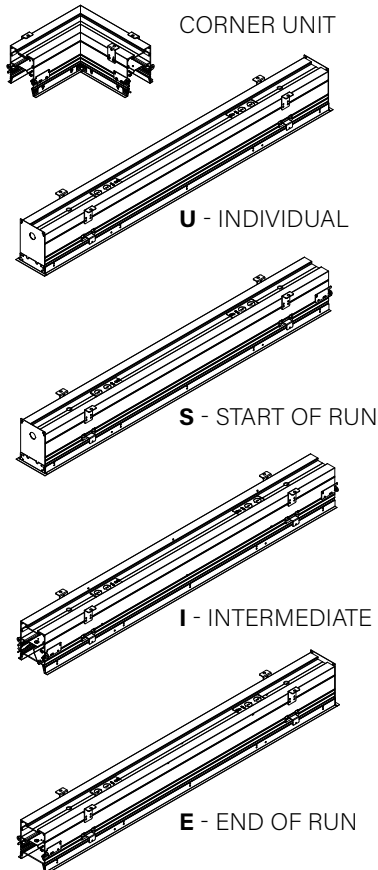
POWER OFF



POWER ON

COMPONENT KEY

FOCAL POINT



! INDIVIDUAL UNITS CANNOT BE JOINED IN THE FIELD.

INCLUDED HARDWARE



REFLECTOR SCREW (70008)

PARTS SHIPPED INSTALLED



TIE-WIRE BRACKET SCREW (72010) (8-18 X 1/4 SELF TAPPING SCREW)



TIE-WIRE BRACKET (12547)



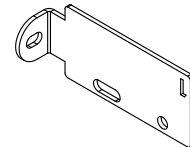
ALIGNMENT PIN (REGRESS LENS) (22372)



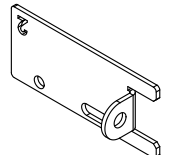
ALIGNMENT BRACKET SCREW (REGRESS LENS) (72029)



ALIGNMENT BRACKET (REGRESS LENS) (A22092-01)



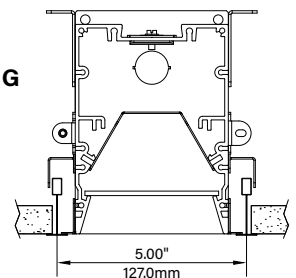
MALE JOINER BRACKET (A32074-01)



FEMALE JOINER BRACKET (A32110-01)



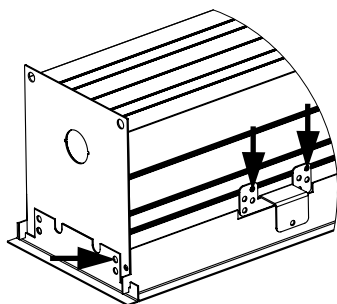
GRID SPACING FOR ALL GRID TYPES



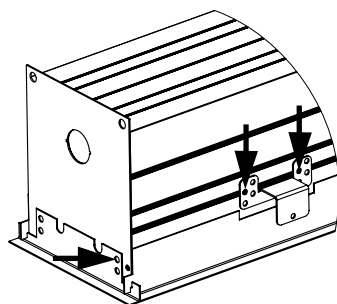
RAIL & CLIP GUIDE



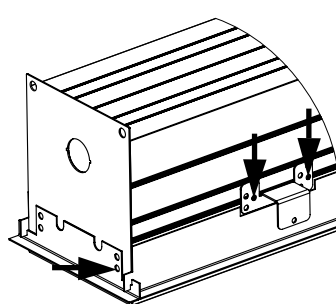
CHECK RAIL & CLIP POSITIONS BEFORE INSTALLATION. ARROWS INDICATE SCREW POSITIONS. TO CHANGE IN THE FIELD REMOVE AND REINSTALL ACCORDING TO DIAGRAMS BELOW.



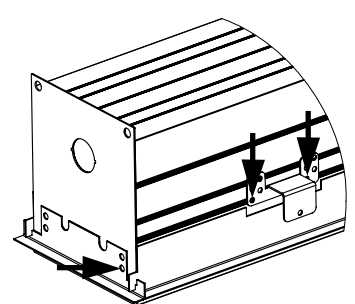
G1: STD 15/16" LAY-IN TILE
G2: STD 9/16" LAY-IN TILE



G4: TALL 15/16" LAY-IN TILE
G5: TALL 9/16" LAY-IN TILE



G3: 9/16" SLOT-TEE TEGULAR TILE
T1: STD 15/16" TEGULAR TILE
T2: STD 9/16" TEGULAR TILE
T6: 9/16" NODE TEGULAR TILE

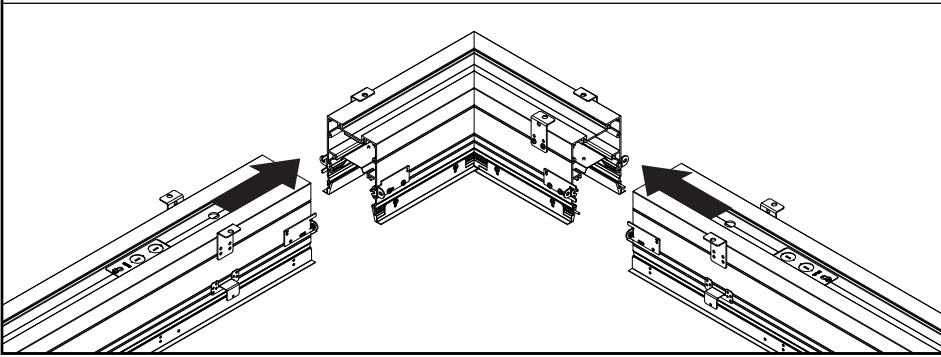


T4: TALL 15/16" TEGULAR TILE
T5: TALL 9/16" TEGULAR TILE

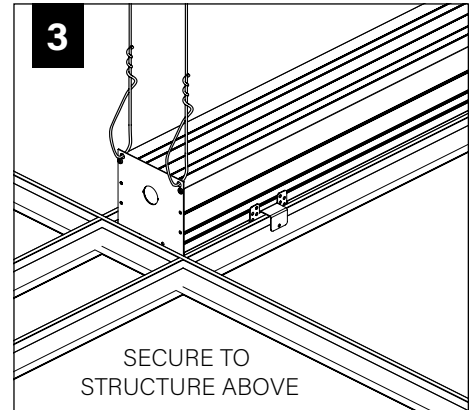
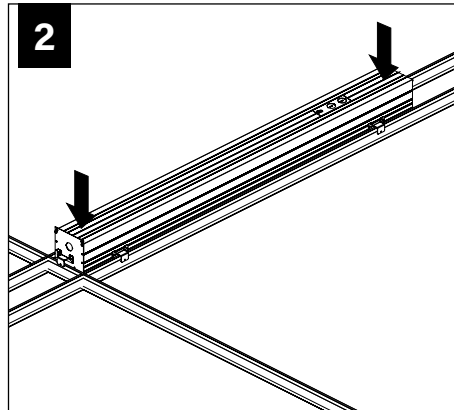
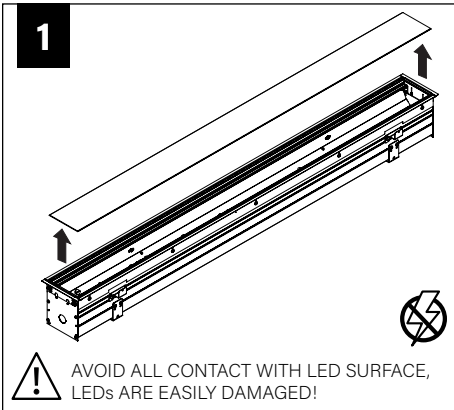


STD = 1-1/2" TEE HEIGHT, TALL = 1-11/16" TEE HEIGHT

CORNER ASSEMBLY

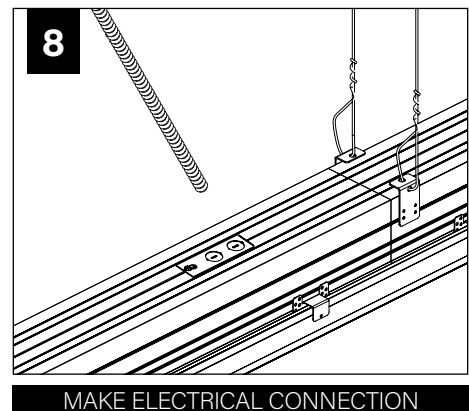
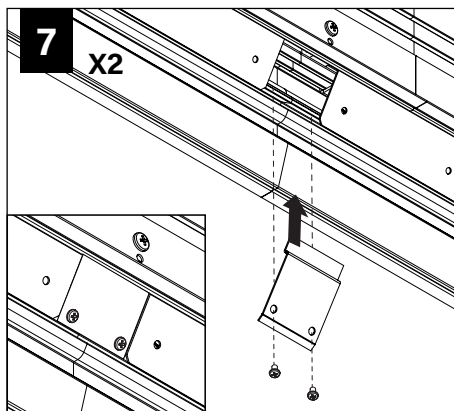
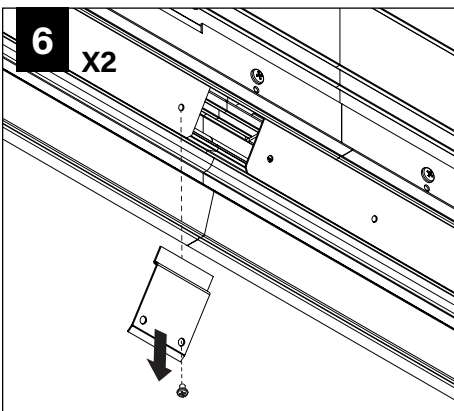
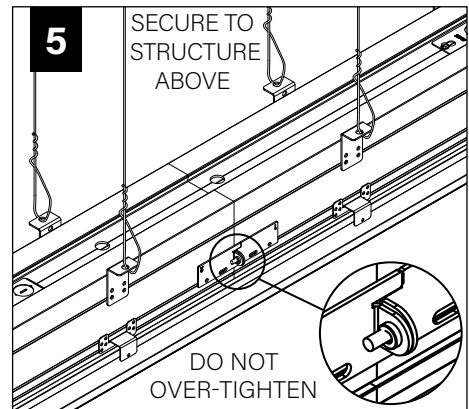
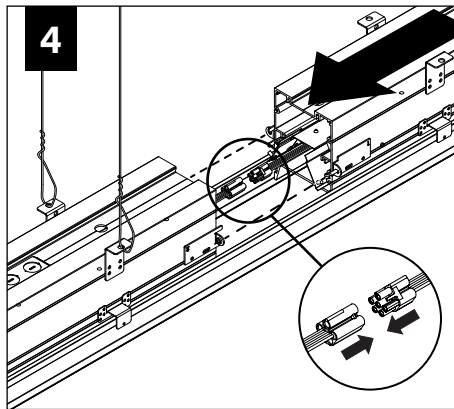


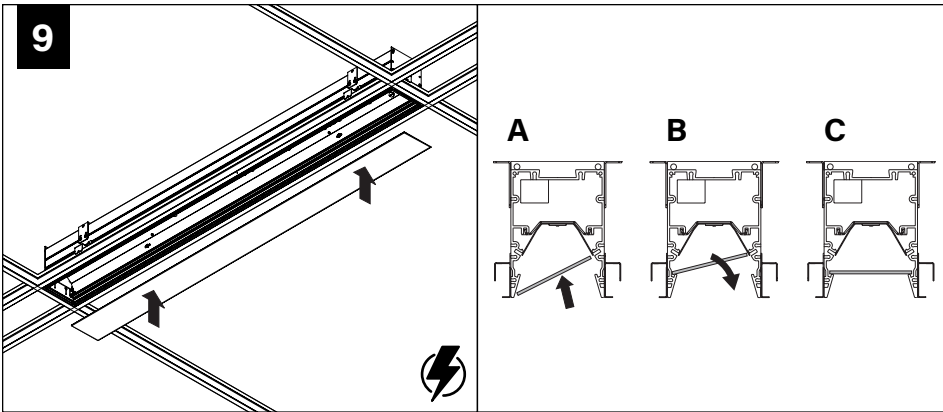
JOINING INSTALLATIONS
SKIP TO STEP 4



INDIVIDUAL INSTALLATIONS
SKIP TO STEP 8

NOTE: INDIVIDUAL UNITS
 CANNOT BE JOINED IN THE FIELD.





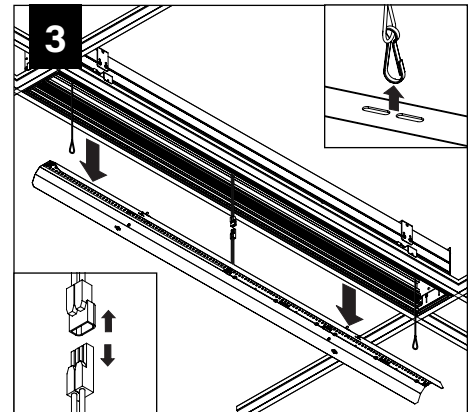
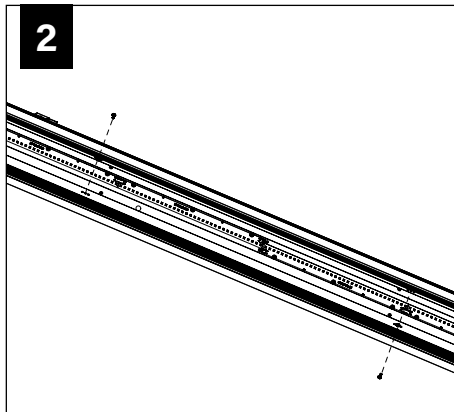
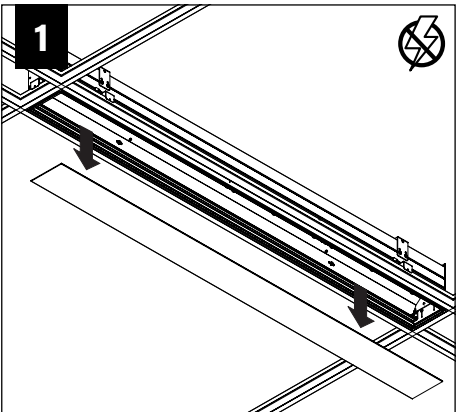
EMERGENCY

I

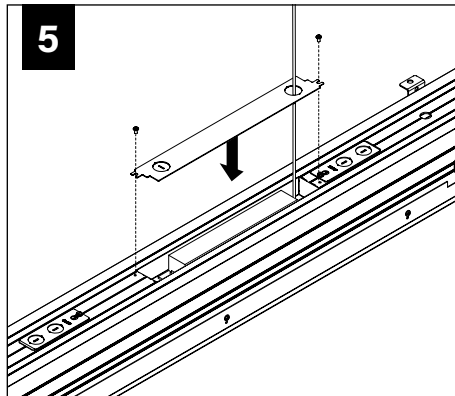
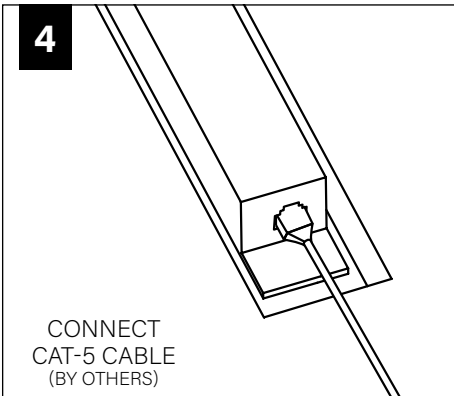
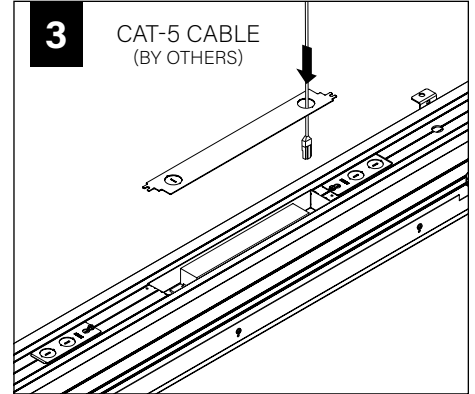
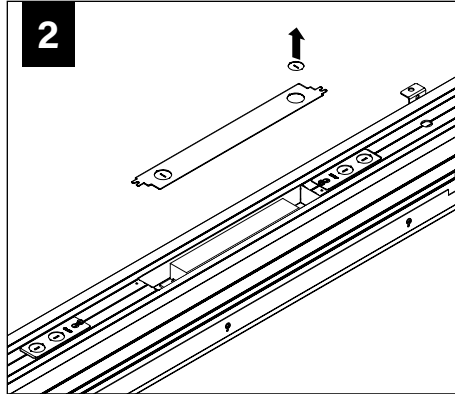
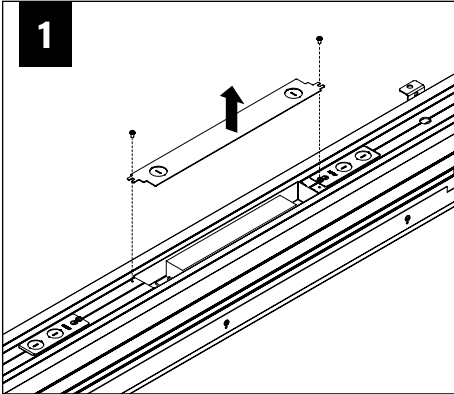
SEE BATTERY MANUFACTURER
INSTRUCTIONS

**EMERGENCY MAXIMUM MOUNTING HEIGHT:
19.00'**

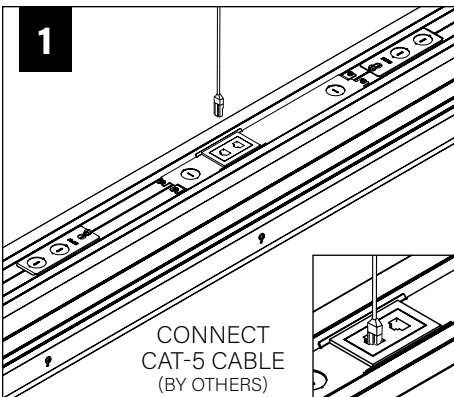
DRIVER SERVICE



ACUITY nLIGHT



WATTSTOPPERS



HUBBELL NX

