

Seem[®] 4

LED WALL MOUNT



recessed companion



wall to ceiling companion

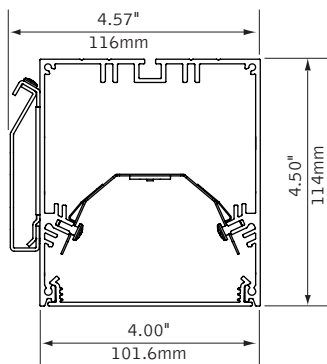


suspended companion

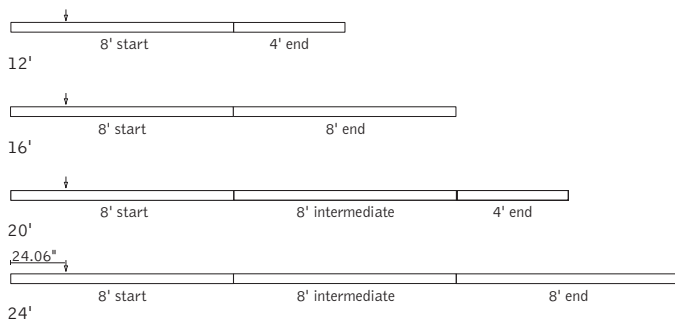


perimeter companion

DIMENSIONAL DATA



note: requires 4"x2" handy box.



↓ Power feed location in 8' start luminaire.

FEATURES

Narrow extruded aluminum 4" wall mount direct LED.

Individual units and continuous runs in 1' increments.

Frosted acrylic lens provides uninterrupted illumination, without pixels or shadows.

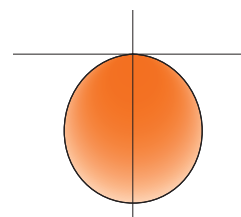
LED position and lens material optimized to provide the perfect blend of high performance and visual comfort.

Choice of output levels to meet a wide variety of application needs.

Preferred Light: Lighting for better color rendition and human preference.

PoE compatible: Integrates with Power over Ethernet lighting systems via standard, low-voltage wires.

PERFORMANCE



4' Flush Lens
Nominal output:
375 Lumens per foot

Delivered Lumens: 1690lm
Total System Watts: 16W

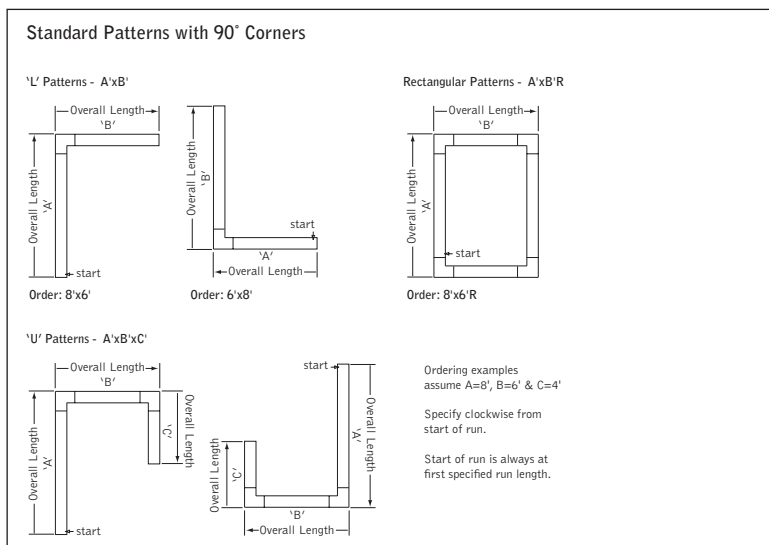
PRODUCT OVERVIEW

Lumen Output: 1690-4240lm
Wattage: 16-42W
LPW: 101-109
SDCM: 3



Photometric performance is measured in accordance with IESNA LM-79. Visit focalpointlights.com for complete photometric data.

MOUNTING INFORMATION



SPECIFICATIONS

LED System

Proprietary linear LED module incorporates premium LEDs on a robust platform to achieve excellent thermal management. LEDs are placed to promote a uniform appearance. Available in 2700K, 3000K, 3500K or 4000K with CRI>80 or CRI>90, 3 SDCM. 3500K and 4000K with CRI>90 have a cyanosis observation index (COI) of 3.3 or less. LED modules and drivers are replaceable from below.

Construction

One piece extruded aluminum housing. Die cast aluminum end caps. 2' unit weight: 10 lbs., 3' unit weight: 14 lbs., 4' unit weight: 18 lbs., 5' unit weight: 22 lbs.

Optic

Reflectors fabricated of 22 Ga. steel finished in High Reflectance White powder coat. Extruded acrylic lens .085" thick with satin finish, up to 8' continuous.

Electrical

Luminaires are pre-wired with factory installed branch circuit wiring and over-molded quick connects. Standard 120-277V constant current driver includes 0-10V analog dimming. Dimming range 100% to 10%. Power factor > .9. PoE compatible: Integrates with Power over Ethernet lighting systems via standard, low-voltage wires. PoE runs require an independent PoE node and power feed for each luminaire section.

Emergency

Output - 10 watts for 90 minutes. Maximum mounting height: 19.2ft.

Labels

UL and cUL listed. Suitable for Dry or Damp Locations, indoor use only.

Finish

Polyester powder coat applied over a multi-stage pre-treatment.

Lumen Maintenance

Reported: L70 > 61,000 hours Calculated: L70 at > 480,000 hours
 L90 > 61,000 hours L90 at > 128,000 hours
 (Derived from EPA TM-21 calculator. Based on typical conditions, consult factory for additional data.)

Reliability

At Focal Point, our products are designed to stand the test of time. Each luminaire is engineered using superior components, manufactured with the utmost care and rigorously tested. Contact us for reliability data.

Warranty

LED system rated for operation in ambient environments up to 25°C. 5-year limited warranty.

4' PERFORMANCE CHART

Shielding	Lumens per Foot	Delivered Lumens	Tested System Watts	LPW
Flush Lens	375LF	1690	16	106
	625LF	2810	26	109
	875LF	3860	37	105
	1000LF	4240	42	101

Based on 3500K, 80 CRI, 4' lengths. Lumen multipliers: Preferred Light = 0.65, 90+ CRI = 0.87. Lumen output may vary +/- 5%. Actual wattage may vary +/- 5%.

ORDERING

Luminaire Series Seem 4 LED	FSM4LW
Shielding Flush Satin Lens	FL
Lumen Output 275 Lumens per foot (Not available with Lutron Drivers) 375 Lumens per foot (Not available with LU5 & LH1 Drivers) 625 Lumens per foot (3' minimum with LU5 & LH1 Drivers) 875 Lumens per foot 1000 Lumens per foot	275LF 375LF 625LF 875LF 1000LF
Color Temperature 2700K, 80+ CRI or 90+ CRI 3000K, 80+ CRI or 90+ CRI 3500K, 80+ CRI or 90+ CRI 4000K, 80+ CRI or 90+ CRI 3500K, Preferred Light (Patterns not available.)	27K or 927K 30K or 930K 35K or 935K 40K or 940K P35K
Circuits & Zones 1 Circuit, non-emergency	1C
Consult Ordering Guide on page 3 for multiple circuiting and zoning options	_C_Z_DL
Voltage 120/277 UNV Volt Low Voltage	UNV LV
Control System & Dimming Level 0-10V - 10% Dimming 0-10V - 1% Dimming Low Voltage, PoE compatible (No driver. Not available with EM or EC. LV Voltage only.) Lutron Hi-Lume EcoSystem (LDE1) - 1% Dimming Lutron 5-Series EcoSystem (LDE5) - 5% Dimming DALI 1% Dimming	LD1 L11 LVN LH1 LU5 D11
Mounting Wall Mount	WM
Factory Options (See Ordering Guide on page 3 for ordering details for DC, EC, EM & ECD.) Daylight Circuit Emergency Circuit Emergency Battery Pack† Emergency Control Device† [†] (4' minimum, 120/277 Volt only. EM or ECD not available at corners.)	_DC _EC _EM _ECD
Finish Black Titanium Silver Matte White Housing	BK TS WH
Luminaire Length (Leave blank for patterns. Lengths are nominal) Specify luminaire/row length in 1' increments (2' minimum length. Smaller increments available. Consult factory for details.) Pattern Options (3' minimum length) 'L' pattern 'U' pattern Rectangular pattern (Consult factory for other pattern options)	X' A' x B' A' x B' x C' A' x B' R



Options in orange qualify for the Quickship program. Run lengths in 1' increments, 1000' total. Refer to Quickship Guide for complete details including EM/EC options.

Ordering Guide

Linear Circuitry, Zones & Factory Options



HOW TO USE THIS GUIDE

Fill out the worksheet on the following page to specify your requirements for circuitry, zones, and factory options.

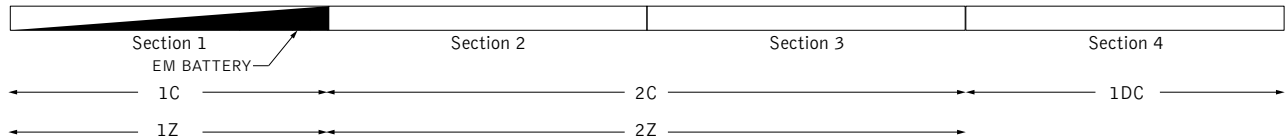
Refer to the run chart for standard run configurations, consult factory for custom configurations.

Complete the Totals / Ordering Codes at the bottom of the worksheet and add to your ordering logic on the cut sheet.

Submit the worksheet along with your order.

TOTAL RUN LENGTH: <u>32ft</u>		JOB NAME: _____			FIXTURE TYPE: _____			
HOUSING SECTION	SECTION LENGTH	SHARED ELECTRICAL FEED, NORMAL POWER			FACTORY OPTIONS			
		SWITCHING CIRCUIT	DIMMING ZONE	DAYLIGHT ZONE	SEPARATE ELECTRICAL FEEDS			EM
DAYLIGHT CIRCUIT	EMERGENCY CIRCUIT				ECD	EM		
1	8	1C	1Z					1EM
2	8	2C	2Z					
3	8	2C	2Z					
4	8				1DC			
Totals / Ordering Codes		2C	2Z		1DC			1EM

ORDERING: FSM4L-FL-625LF-35K- **2C2Z** -UNV-LD1-G2- **1DC-1EM** -WH-32ft



KEY	
C = Switching Circuit Switched Hot / Shared Neutral	DC = Daylight Circuit Switched Hot / Separate Neutral
Z = Dimming Zone Dimming Control Wires	EC = Emergency Circuit Switched Hot / Separate Neutral
DL = Daylight Zone Daylight Dimming Control Wires	EM = Emergency Battery Unswitched Hot / Shared Neutral
	ECD = Emergency Control Device Unswitched Hot / Separate Neutral

DEFAULTS

- Zones and Factory Options illuminate entire sections from 4' to 8' in length.
- One shared or isolated circuit and zone required per housing section.
- Limit of one EM or ECD per housing section.
- Additional electrical feed required for applications greater than three shared circuits and zones.
- Each DC, EC and ECD require an additional electrical feed.
- ECD not available in the same housing section as EC.
- Longer lead times and additional pricing may apply for custom run configurations.

CUSTOM LENGTHS

- If partial illumination of emergency or daylight section is required, indicate in ordering guide and add "partial illumination" in Order Notes. Drawing required.
- Engineering validation required, longer lead times may apply.

Ordering Guide Worksheet

Linear Circuitry, Zones & Factory Options



TOTAL RUN LENGTH: _____		JOB NAME: _____			FIXTURE TYPE: _____			
HOUSING SECTION	SECTION LENGTH	SHARED ELECTRICAL FEED, NORMAL POWER			FACTORY OPTIONS			EM
		SWITCHING CIRCUIT	DIMMING ZONE	DAYLIGHT ZONE	SEPARATE ELECTRICAL FEEDS			
DAYLIGHT CIRCUIT	EMERGENCY CIRCUIT				ECD			
1								
2								
3								
4								
5								
6								
7								
8								
9								
10								
11								
12								
13								
14								
15								
16								
17								
18								
19								
20								
Totals / Ordering Codes								

WORKSHEET

Combine to create Circuits & Zones ordering code

Enter as individual Factory Options

RUN CHART

Run length (ft)	Housing Configuration Section Lengths	Run length (ft)	Housing Configuration Section Lengths	Run length (ft)	Housing Configuration Section Lengths	Run length (ft)	Housing Configuration Section Lengths
9	5 + 4	21	8 + 8 + 5	33	8 + 8 + 8 + 5 + 4	45	8 + 8 + 8 + 8 + 8 + 5
10	6 + 4	22	8 + 8 + 6	34	8 + 8 + 8 + 6 + 4	46	8 + 8 + 8 + 8 + 8 + 6
11	7 + 4	23	8 + 8 + 7	35	8 + 8 + 8 + 7 + 4	47	8 + 8 + 8 + 8 + 8 + 7
12	8 + 4	24	8 + 8 + 8	36	8 + 8 + 8 + 8 + 4	48	8 + 8 + 8 + 8 + 8 + 8
13	8 + 5	25	8 + 8 + 5 + 4	37	8 + 8 + 8 + 8 + 5		
14	8 + 6	26	8 + 8 + 6 + 4	38	8 + 8 + 8 + 8 + 6		
15	8 + 7	27	8 + 8 + 7 + 4	39	8 + 8 + 8 + 8 + 7		
16	8 + 8	28	8 + 8 + 8 + 4	40	8 + 8 + 8 + 8 + 8		
17	8 + 5 + 4	29	8 + 8 + 8 + 5	41	8 + 8 + 8 + 8 + 5 + 4		
18	8 + 6 + 4	30	8 + 8 + 8 + 6	42	8 + 8 + 8 + 8 + 6 + 4		
19	8 + 7 + 4	31	8 + 8 + 8 + 7	43	8 + 8 + 8 + 8 + 7 + 4		
20	8 + 8 + 4	32	8 + 8 + 8 + 8	44	8 + 8 + 8 + 8 + 8 + 4		

Standard run configurations, consult factory for custom configurations.