

Seem® 4

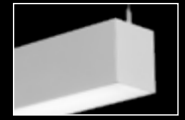
LED - WET LOCATION



end detail



perimeter companion



suspended companion

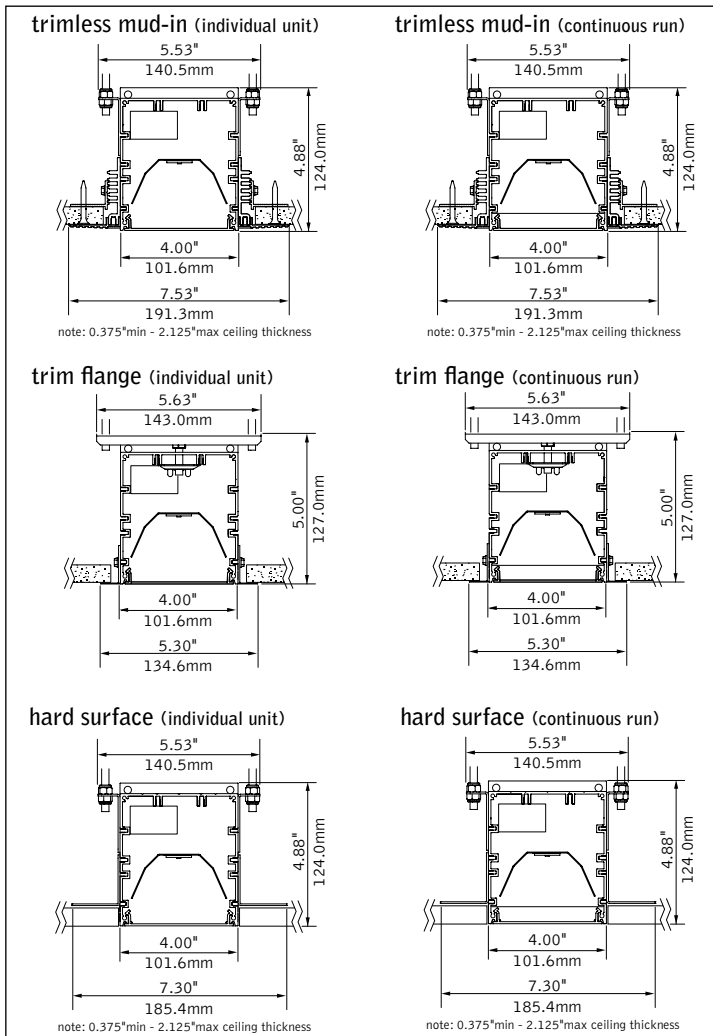


wall mount companion



wall to ceiling companion

DIMENSIONAL DATA



FEATURES

Narrow extruded aluminum 4" aperture recessed slot LED suitable for wet location.

Integrates with ceiling for a clean, unobtrusive aesthetic.

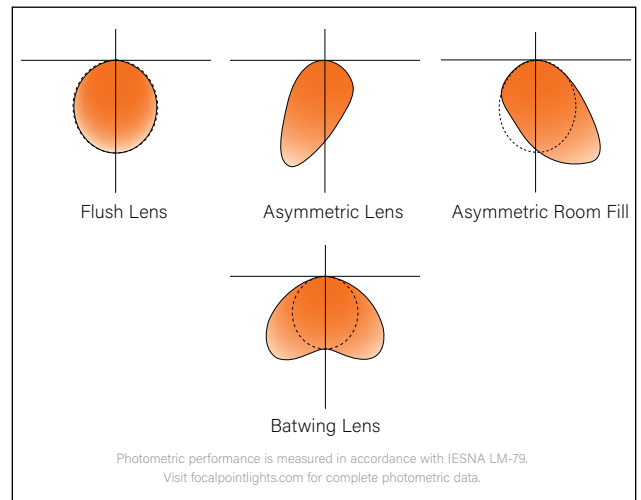
Individual units and continuous runs in 1' increments.

Available in flush, asymmetric, asymmetric room fill or batwing, lens.

LED position and lens material optimized to provide the perfect blend of high performance and visual comfort.

Tunable White: Supports human activity, well-being, and preferences with a light quality that evolves throughout the day.

PERFORMANCE



fixture:

project:

4' PERFORMANCE CHART

Lumen Output	Nominal Lumens	Tested System Watts	LPW			
			BW	FL	AS	AF
275LF	1100	10	104	100	122	124
375LF	1500	13	113	108	126	129
625LF	2500	22	112	107	126	128
875LF	3500	32	109	105	125	127
1000LF	4000	37	109	104	124	126
1125LF	4500	44	108	104	122	124
1250LF	5000	49	107	102	120	123

Based on 3500K, 80 CRI, 4' lengths. Lumen multiplier: 90+ CRI = 0.87. Lumen output may vary +/- 5%. Actual wattage may vary +/- 5%.

STANDARD WHITE

Luminaire Series	FSM4LWL
Seem 4 LED Wet Location	FSM4LWL
Shielding <small>(ceiling applications only)</small>	
Asymmetric Lens*	AS
Asymmetric Room Fill*	AF
Batwing Lens*	BW
Flush Satin Lens <small>(*individual units only)</small>	FL
Lumen Output	
275 Lumens per foot	275LF
375 Lumens per foot	375LF
625 Lumens per foot	625LF
875 Lumens per foot	875LF
1000 Lumens per foot	1000LF
1125 Lumens per foot	1125LF
1250 Lumens per foot	1250LF
Color Temperature	
3000K, 80+ CRI	30K
3500K, 80+ CRI	35K
4000K, 80+ CRI	40K
Circuits & Zones	
1 Circuit, non-emergency	1C
Consult Ordering Guide on page 3 for multiple circuiting and zoning options	_C_Z_DL
Voltage	UNV
120/277 UNV Volt	UNV
Control System & Dimming Level	
0-10V - 1% Dimming	L11
0-10V - 10% Dimming	LD1
Lutron Hi-Lume EcoSystem (LDE1) - 1% Dimming	LH1
Ceiling Configuration	
Trim Flange Drywall <small>(3' minimum with Lutron Drivers)</small>	TF
Trim Flange Wood <small>(3' minimum with Lutron Drivers)</small>	TFW
Mud-in Trimless, pre-set for 1/2" Drywall	XF1
Mud-in Trimless, pre-set for 5/8" Drywall	XF2
Mud-in Trimless, set thickness in field <small>(Mounting equipment assembled in field)</small>	XFF
Non-Drywall Hard Surface	XFN
Hard Surface, Wood	XFW
Factory Options <small>(See Ordering Guide on page 4 for ordering details for DC, EC, EM & ECD.)</small>	
Chicago Plenum <small>(Not available with Flex Whip.)</small>	CP
Daylight Circuit	_DC
Emergency Circuit	_EC
Emergency Battery Pack ¹	_EM
Emergency Control Device ¹	_ECD
<small>¹(4' minimum, 120/277 Volt only. EM or ECD not available at corners.)</small>	
6' New York City Flex Whip (120V)	FNY1
6' New York City Flex Whip (277V)	FNY2
6' Flex Whip	FW
IP65 Rated <small>(Individual units only. Not available with Flex Whip.)</small>	IP65
Finish	WH
Matte White Housing	WH
Luminaire Length Specify luminaire/row length in 1' increments <small>(2' minimum, lengths are nominal. Housing length is 1" shorter than specified.)</small>	X'

fixture:

project:

TW 4' PERFORMANCE CHART (INDIVIDUAL)

Lumen Output	Nominal Lumens	Tested System Watts	LPW	
			BW	FL
275LF	1100	13.30	87.3	83.2
375LF	1500	17.34	90.8	86.5
625LF	2500	27.84	94.0	89.5
875LF	3500	37.22	98.9	94.2
1000LF	4000	42.39	99.2	94.4
1125LF	4500	50.27	93.9	89.4

Based on 2700K, 80CRI, 4' lengths. Lumen output may vary +/- 5%. Actual wattage may vary +/- 5%.

Lumen Multipliers

CRI	Multiplier
80+	1.00
90+	0.89

Wattage Multipliers

CCT	Multiplier
2700K	1.00
3000K	0.92
3500K	0.88
4000K	0.86
5000K	0.85
5700K	0.87
6500K	0.90



TUNABLE WHITE

Luminaire Series	FSM4LWL
Seem 4 LED Wet Location	FSM4LWL
Shielding (ceiling applications only)	
Batwing Lens	BW
(individual units only)	
Flush Satin Lens	FL
Lumen Output	
275 Lumens per foot (3' min. with D1TW, 4' min. with LT1)	275LF
375 Lumens per foot (3' min. with LT1)	375LF
625 Lumens per foot	625LF
875 Lumens per foot	875LF
1000 Lumens per foot	1000LF
1125 Lumens per foot	1125LF
Color Temperature	
Tunable White: 2700-6500K, 80+ CRI	2765T
Tunable White: 2700-6500K, 90+ CRI	92765T
Circuits & Zones	
1 Circuit, non-emergency	1C
Consult Ordering Guide on page 3 for multiple circuiting and zoning options	_C_Z_DL
Voltage	UNV
120/277 UNV Volt	UNV
Control System & Dimming Level	
Lutron T-Series - 1% Dimming	LT1
DALI - 1% Dimming (DT6 control. Requires two addresses, one for intensity & one for CCT tuning. Consult factory for DT8.)	D1TW
Ceiling Configuration	
Trim Flange Drywall (3' minimum with Lutron)	TF
Trim Flange Wood (3' minimum with Lutron)	TFW
Mud-in Trimless, pre-set for 1/2" Drywall	XF1
Mud-in Trimless, pre-set for 5/8" Drywall	XF2
Mud-in Trimless, set thickness in field (Mounting equipment assembled in field)	XFF
Non-Drywall Hard Surface	XFN
Hard Surface, Wood	XFW
Factory Options	
(See page 4 for ordering details for DC, EC, EM & ECD.)	
Chicago Plenum (Not available with Flex Whip.)	CP
Daylight Circuit	_DC
Emergency Circuit	_EC
Emergency Battery Pack [†]	_EM
Emergency Control Device [†] (consult factory.)	_ECD
6' New York City Flex Whip (120V)	FNY1
6' New York City Flex Whip (277V)	FNY2
6' Flex Whip	FW
IP65 Rated	IP65
(Individual units only. Not available with Flex Whip.)	
Finish	WH
Matte White Housing	WH
Luminaire Length Specify luminaire/row length in 1' increments (2' minimum, lengths are nominal. Housing length is 1" shorter than specified.)	X'

SPECIFICATIONS

LED System

Proprietary linear LED module incorporates premium LEDs on a robust platform to achieve excellent thermal management. LEDs are placed to promote a uniform appearance. Available in 2700K, 3000K, 3500K or 4000K with CRI>80 or CRI>90, 3 SDCM or Tunable White (2700K-6500K), CRI>80, >90. LED modules and drivers are replaceable from below.

Construction

One piece extruded aluminum housing, 20 Ga. steel end caps. Housing for new construction applications. XFW acceptable for use with wood, consult factory for Type IC availability. 2' unit weight: 18 lbs., 3' unit weight: 24 lbs., 4' unit weight: 30 lbs., 5' unit weight: 36 lbs.

Optic

Reflectors fabricated of 22 Ga. steel finished in High Reflectance White powder coat. Extruded acrylic lens .085" thick with satin finish, up to 8' continuous. .020" thick acrylic lens water shield included for continuous runs.

Electrical

Luminaires are pre-wired with factory installed branch circuit wiring and over-molded quick connects. Standard 120-277V constant current driver includes 0-10V analog dimming. Dimming range 100% to 10%. Power factor > .9.

Emergency

Output - 10 watts for 90 minutes. Maximum mounting height: 19.2ft.

Labels

UL and cUL Listed for wet location recessed ceiling applications in indoor and outdoor environments. Lutron Drivers not recommended for outdoor environments below 0°C. IP65 per IEC 60529 ensures that the enclosure is dust-tight and protected against jet streams of water from any direction without any harmful effects.

Finish

Polyester powder coat applied over a multi-stage pre-treatment.

Lumen Maintenance

Reported: L70 > 61,000 hours Calculated: L70 at > 480,000 hours
 L90 > 61,000 hours L90 at > 128,000 hours

Derived from EPA TM-21 calculator. Based on typical conditions, consult factory for additional data.

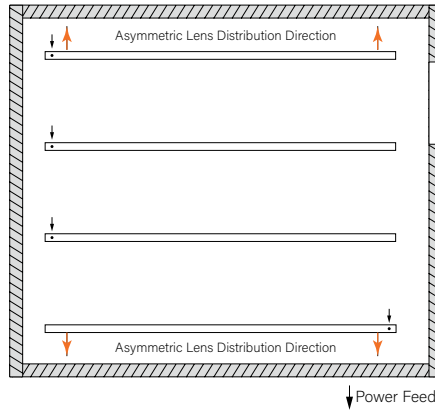
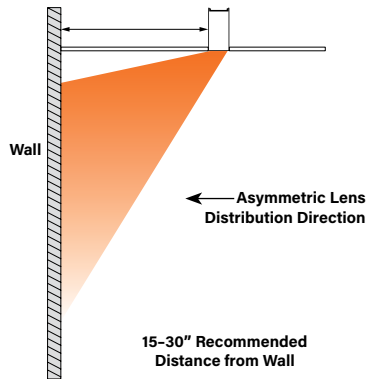
Reliability

At Focal Point, our products are designed to stand the test of time. Each luminaire is engineered using superior components, manufactured with the utmost care and rigorously tested. Contact us for reliability data.

Warranty

LED system rated for operation in ambient environments up to 35°C. 5-year limited warranty.

DIRECT ASYMMETRIC Standard Application Example



DIRECT ASYMMETRIC ROOM FILL Standard Application Example

