

# Seem® 4

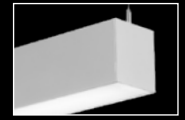
LED - WET LOCATION



end detail



perimeter companion



suspended companion

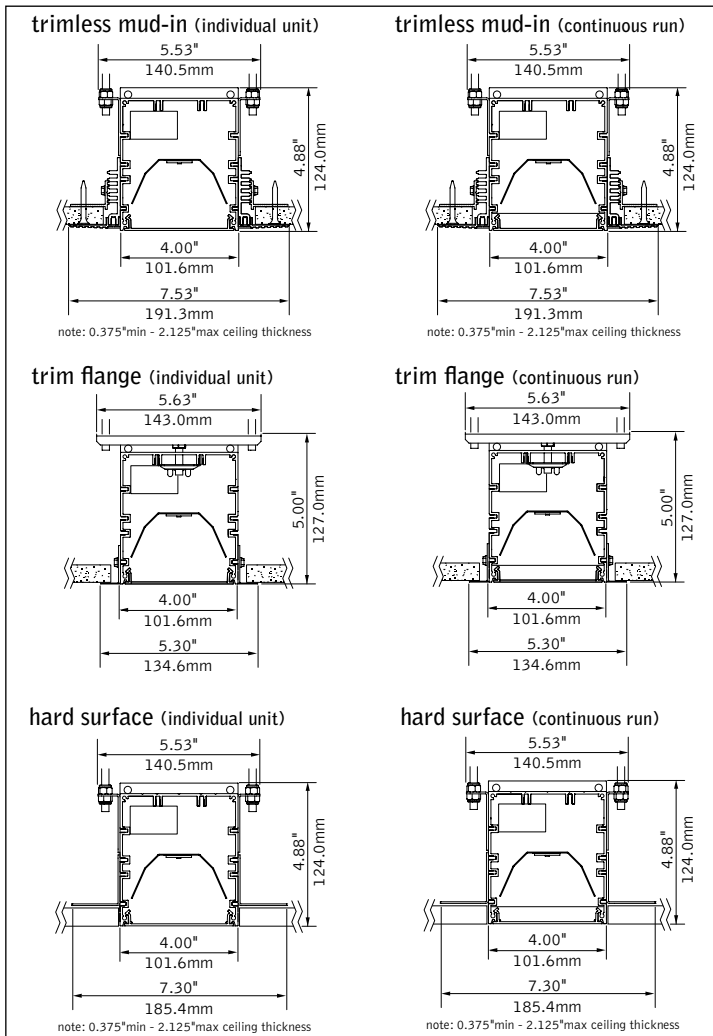


wall mount companion



wall to ceiling companion

## DIMENSIONAL DATA



## FEATURES

Narrow extruded aluminum 4" aperture recessed slot LED suitable for wet location.

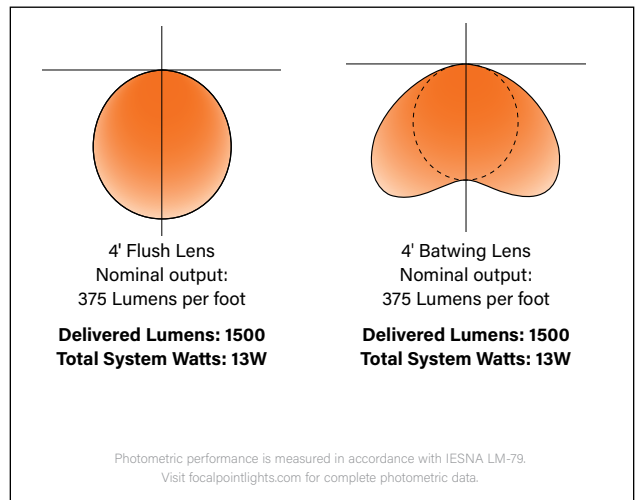
Integrates with ceiling for a clean, unobtrusive aesthetic.

Individual units and continuous runs in 1' increments.

Frosted acrylic lens provides uninterrupted illumination, without pixels or shadows.

LED position and lens material optimized to provide the perfect blend of high performance and visual comfort.

## PERFORMANCE



fixture:

project:

**SPECIFICATIONS**

**LED System**

Proprietary linear LED module incorporates premium LEDs on a robust platform to achieve excellent thermal management. LEDs are placed to promote a uniform appearance. Available in 3000K, 3500K or 4000K with CRI>80, 3 SDCM. LED modules and drivers are replaceable from below.

**Construction**

One piece extruded aluminum housing, 20 Ga. steel end caps. Housing for new construction applications. XFW acceptable for use with wood, consult factory for Type IC availability. 2' unit weight: 18 lbs., 3' unit weight: 24 lbs., 4' unit weight: 30 lbs., 5' unit weight: 36 lbs.

**Optic**

Reflectors fabricated of 22 Ga. steel finished in High Reflectance White powder coat. Extruded acrylic lens .085" thick with satin finish, up to 8' continuous. .020" thick acrylic lens water shield included for continuous runs.

**Electrical**

Luminaires are pre-wired with factory installed branch circuit wiring and over-molded quick connects. Standard 120-277V constant current driver includes 0-10V analog dimming. Dimming range 100% to 10%. Power factor > .9.

**Emergency**

Output - 10 watts for 90 minutes. Maximum mounting height: 19.2ft.

**Labels**

UL and cUL Listed for wet location recessed ceiling applications in indoor and outdoor environments. Lutron Drivers not recommended for outdoor environments below 0°C.

**Finish**

Polyester powder coat applied over a multi-stage pre-treatment.

**Lumen Maintenance**

Reported: L70 > 61,000 hours                      Calculated: L70 at > 480,000 hours  
 L90 > 61,000 hours                                      L90 at > 128,000 hours

Derived from EPA TM-21 calculator. Based on typical conditions, consult factory for additional data.

**Reliability**

At Focal Point, our products are designed to stand the test of time. Each luminaire is engineered using superior components, manufactured with the utmost care and rigorously tested. Contact us for reliability data.

**Warranty**

LED system rated for operation in ambient environments up to 35°C. 5-year limited warranty.

**4' PERFORMANCE CHART**

Lumens Output	Delivered Lumens	Tested System Watts	LPW	
			BW	FL
275	1100	10	104	100
375	1500	13	113	108
625	2500	22	112	107
875	3500	32	109	105
1000	4000	37	109	104
1125	4500	44	108	104
1250	5000	49	107	102

Based on 3500K, 80 CRI, 4' lengths. Lumen multiplier: Wet Location = 0.92. Lumen output may vary +/- 5%. Actual wattage may vary +/- 5%.

**ORDERING**

<b>Luminaire Series</b>	<b>FSM4LWL</b>
Seem 4 LED Wet Location	FSM4LWL
<b>Shielding</b>	
Batwing Lens	BW
Flush Satin Lens	FL
<small>(BW &amp; FL, ceiling applications only.)</small>	
<b>Lumen Output</b>	
275 Lumens per foot	275LF
375 Lumens per foot	375LF
625 Lumens per foot	625LF
875 Lumens per foot	875LF
1000 Lumens per foot	1000LF
1125 Lumens per foot	1125LF
1250 Lumens per foot	1250LF
<b>Color Temperature</b>	
3000K, 80+ CRI	30K
3500K, 80+ CRI	35K
4000K, 80+ CRI	40K
<b>Circuits &amp; Zones</b>	
1 Circuit, non-emergency	1C
Consult Ordering Guide on page 3 for multiple circuiting and zoning options	_C_Z_DL
<b>Voltage</b>	<b>UNV</b>
120/277 UNV Volt	UNV
<b>Control System &amp; Dimming Level</b>	
0-10V - 1% Dimming	L11
0-10V - 10% Dimming	LD1
Lutron Hi-Lume EcoSystem (LDE1) - 1% Dimming	LH1
<b>Ceiling Configuration</b>	
Trim Flange Drywall	TF
<small>(3' minimum with Lutron Drivers)</small>	
Trim Flange Wood	TFW
<small>(3' minimum with Lutron Drivers)</small>	
Mud-in Trimless, pre-set for 1/2" Drywall	XF1
Mud-in Trimless, pre-set for 5/8" Drywall	XF2
Mud-in Trimless, set thickness in field	XFF
<small>(Mounting equipment assembled in field)</small>	
Non-Drywall Hard Surface	XFN
Hard Surface, Wood	XFW
<b>Factory Options</b>	
<small>(See Ordering Guide on page 3 for ordering details for DC, EC, EM &amp; ECD.)</small>	
Chicago Plenum	CP
Daylight Circuit	_DC
Emergency Circuit	_EC
Emergency Battery Pack <sup>1</sup>	_EM
Emergency Control Device <sup>1</sup>	_ECD
<small><sup>1</sup>(4' minimum, 120/277 Volt only. EM or ECD not available at corners.)</small>	
6' New York City Flex Whip (120V)	FNY1
6' New York City Flex Whip (277V)	FNY2
6' Flex Whip	FW
<b>Finish</b>	<b>WH</b>
Matte White Housing	WH
<b>Luminaire Length</b>	
Specify luminaire/row length in 1' increments	X'
<small>(2' minimum, lengths are nominal. Housing length is 1" shorter than specified.)</small>	