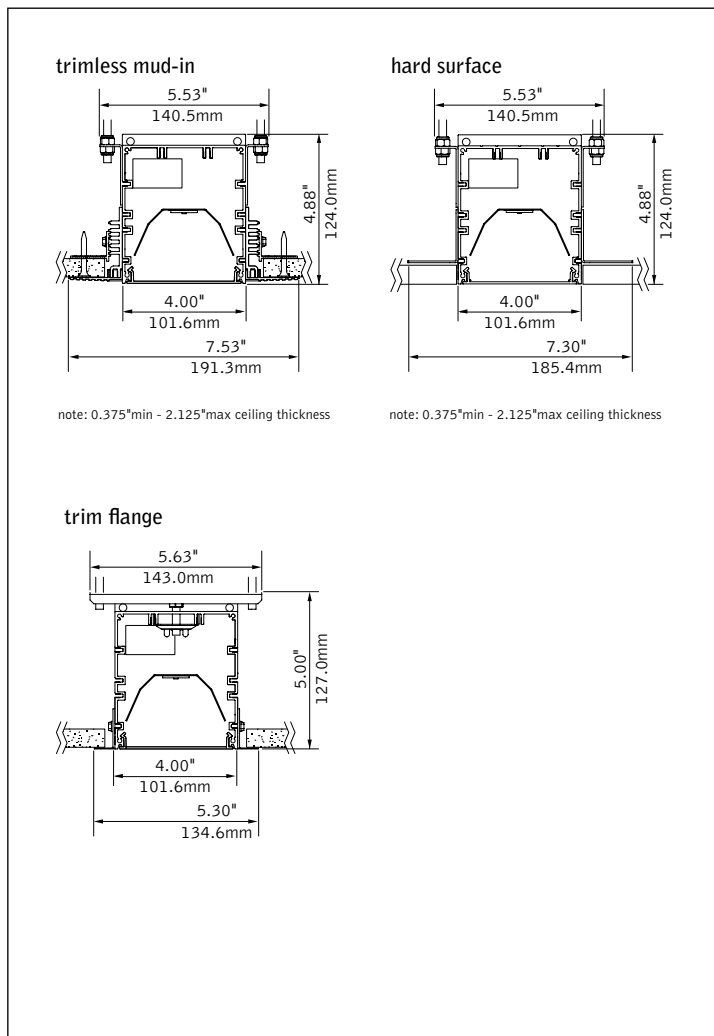


end detail

## DIMENSIONAL DATA



## FEATURES

Narrow extruded aluminum 4" aperture recessed slot LED suitable for wet location.

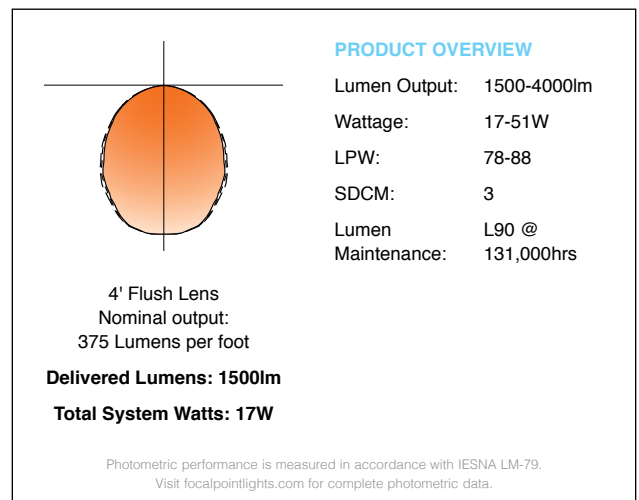
Integrates with ceiling for a clean, unobtrusive aesthetic.

Individual units in 1' increments up to 8'.

Frosted acrylic lens provides uninterrupted illumination, without pixels or shadows.

LED position and lens material optimized to provide the perfect blend of high performance and visual comfort.

## PERFORMANCE



fixture:

project:

## SPECIFICATIONS

### LED System

Proprietary linear LED module incorporates premium LEDs on a robust platform to achieve excellent thermal management. LEDs are placed to promote a uniform appearance. Available in 3000K, 3500K or 4000K with CRI>80, 3SDCM. LED modules and drivers are replaceable from below.

### Construction

One piece extruded aluminum housing. 20 Ga. steel end caps. Housing for new construction applications. XFW acceptable for use with wood, consult factory for Type IC availability. 2' unit weight: 18 lbs., 3' unit weight: 24 lbs., 4' unit weight: 30 lbs., 5' unit weight: 36 lbs.

### Optic

Reflectors fabricated of 22 Ga. steel finished in High Reflectance White powder coat. Extruded acrylic lens .085" thick with satin finish, up to 8' continuous.

### Electrical

Luminaires are pre-wired with factory installed branch circuit wiring and over-molded quick connects. Standard 120-277V constant current driver includes 0-10V analog dimming. Dimming range 100% to 10%. Power factor > .9.

### Emergency Battery

Bodine BSL310-CAN. Emergency output - 10 watts for 90 minutes.

### Labels

UL and cUL wet listed for recessed ceiling applications in indoor and outdoor locations. Lutron Drivers not recommended for outdoor environments below 0°C.

### Finish

Polyester powder coat applied over a 5-stage pre-treatment.

### Lumen Maintenance

Calculated: L90 at 131,000 hours                      Reported: L90 at >61,000 hours  
Derived from EPA TM-21 calculator

### Warranty

LED system rated for operation in ambient environments up to 25°C. 5 year limited warranty.

## 4' PERFORMANCE CHART

Shielding	Lumens per Foot	Delivered Lumens	Tested System Watts	LWP
Flush Lens	375LF	1500	17	88
	625LF	2500	29	86
	875LF	3500	43	81
	1000LF	4000	51	78

\*Based on 3500k, 4' lengths. \*Lumen output may vary +/- 5%. Actual wattage may vary +/- 5%

## ORDERING

Luminaire Series	FSM4LWL
Seem 4 LED Wet Location	FSM4LWL
<b>Shielding</b>	<b>FL</b>
Flush Satin Lens <small>(Ceiling applications only)</small>	FL
<b>Lumen Output</b>	
275 Lumens per foot <small>(Not available with L3D driver)</small>	275LF
375 Lumens per foot	375LF
625 Lumens per foot	625LF
875 Lumens per foot	875LF
1000 Lumens per foot <small>(Not available with L3D driver)</small>	1000LF
<b>Color Temperature</b>	
3000K	30K
3500K	35K
4000K	40K
<b>Circuit</b>	<b>1C</b>
Single Circuit	1C
<b>Voltage</b>	
120 Volt	120
277 Volt	277
UNV Volt	UNV
<small>(Cannot be specified with EM option)</small>	
<b>Driver</b>	
<small>(See driver reference for driver quantities)</small>	
0-10V - 10% Dimming	LD1
Lutron A-Series	L3D
1% EcoSystem Digital <small>(Not recommended for outdoor environments below 0°C. Consult factory for 3-wire control)</small>	
0-10V - 1% Dimming <small>(Consult factory)</small>	
<b>Ceiling Configuration</b>	
Trim Flange Drywall	TF
Trim Flange Wood	TFW
Mud-in Trimless, pre-set for 1/2" Drywall	XF1
Mud-in Trimless, pre-set for 5/8" Drywall	XF2
Mud-in Trimless, set thickness in field <small>(Mounting equipment assembled in field)</small>	XFF
Non-Drywall Hard Surface	XFN
Hard Surface, Wood	XFW
<b>Factory Options</b>	
Chicago Plenum	CP
Emergency Circuit*	EC
Emergency Battery Pack* <small>(4' lengths or longer)</small>	EM
6' New York City Flex Whip	FNY
6' Flex Whip	FW
<b>Finish</b>	<b>WH</b>
Matte White Housing	WH
<b>Luminaire Length</b> <small>(Lengths are nominal)</small>	
	2'
	3'
	4'
	5'
	6'
	7'
	8'
<small>(Smaller increments available. Consult factory for details.)</small>	

# Seem<sup>®</sup> 4

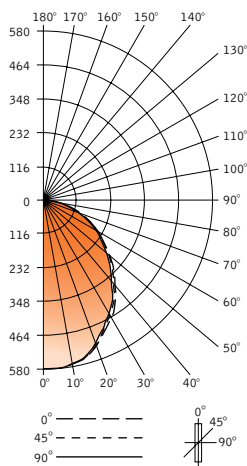
LED - FLUSH LENS

## FSM4L-FL-375LF-35K-LD1-WH-4'

Filename: FSM4LFL375LF35K.IES  
Test #: 17842.0

Lumens: 1459lm  
System Watts: 17.0W  
LPW: 86

### CANDELPWER DISTRIBUTION



Vertical Angle	Horizontal Angle					Zonal Lumens
	0°	22.5°	45°	67.5°	90°	
0°	580	580	580	580	580	580
5°	576	576	576	576	576	55
15°	556	555	553	553	553	157
25°	493	490	488	483	483	226
35°	426	425	417	41	411	263
45°	339	337	330	325	319	256
55°	250	246	241	239	237	217
65°	168	168	165	163	163	164
75°	88	88	88	87	87	93
85°	26	26	26	26	26	28
90°	0	0	0	0	0	0
95°	0	0	0	0	0	0
105°	0	0	0	0	0	0
115°	0	0	0	0	0	0
125°	0	0	0	0	0	0
135°	0	0	0	0	0	0
145°	0	0	0	0	0	0
155°	0	0	0	0	0	0
165°	0	0	0	0	0	0
175°	0	0	0	0	0	0
180°	0	0	0	0	0	0

### LUMEN SUMMARY

Zone	Lumens	% Fixture
0-30°	438	30.0
0-40°	700	48.0
0-60°	1174	80.5
0-90°	1459	100.0
<b>Total Luminaire 0-180°</b>	<b>1459</b>	<b>100.0</b>

### LUMINANCE DATA (CD/M<sup>2</sup>)

Vertical Angle	0°	45°	90°
45°	4101	3993	3854
55°	3720	3587	3530
65°	3392	3340	3289
75°	2917	2917	2875
85°	2511	2511	2511

Go to [www.focalpointlights.com](http://www.focalpointlights.com) for additional photometric data.

# Seem<sup>®</sup> 4

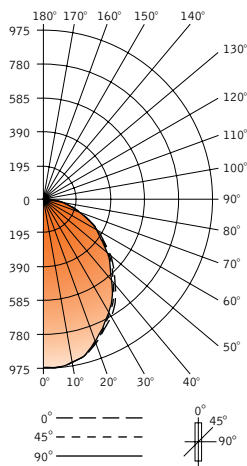
LED - FLUSH LENS

## FSM4L-FL-625LF-35K-LD1-WH-4'

Filename: FSM4LFL625LF35K.IES  
Test #: 17843.0

Lumens: 2452lm  
System Watts: 28.9W  
LPW: 84

### CANDELPWER DISTRIBUTION



Vertical Angle	Horizontal Angle					Zonal Lumens
	0°	22.5°	45°	67.5°	90°	
0°	975	975	975	975	975	975
5°	969	969	969	969	969	93
15°	934	932	930	930	930	264
25°	829	825	820	812	812	379
35°	717	715	702	693	691	442
45°	571	566	556	547	536	430
55°	420	413	405	403	395	366
65°	282	282	278	273	273	276
75°	149	149	149	146	146	156
85°	43	43	43	43	43	47
90°	0	0	0	0	0	0
95°	0	0	0	0	0	0
105°	0	0	0	0	0	0
115°	0	0	0	0	0	0
125°	0	0	0	0	0	0
135°	0	0	0	0	0	0
145°	0	0	0	0	0	0
155°	0	0	0	0	0	0
165°	0	0	0	0	0	0
175°	0	0	0	0	0	0
180°	0	0	0	0	0	0

### LUMEN SUMMARY

Zone	Lumens	% Fixture
0-30°	736	30.0
0-40°	1178	48.0
0-60°	1973	80.5
0-90°	2452	100.0
<b>Total Luminaire 0-180°</b>	<b>2452</b>	<b>100.0</b>

### LUMINANCE DATA (CD/M<sup>2</sup>)

Vertical Angle	0°	45°	90°
45°	6895	6713	6479
55°	6255	6031	5934
65°	5703	5616	5529
75°	4905	4905	4834
85°	4222	4222	4222

Go to [www.focalpointlights.com](http://www.focalpointlights.com) for additional photometric data.

# Seem® 4

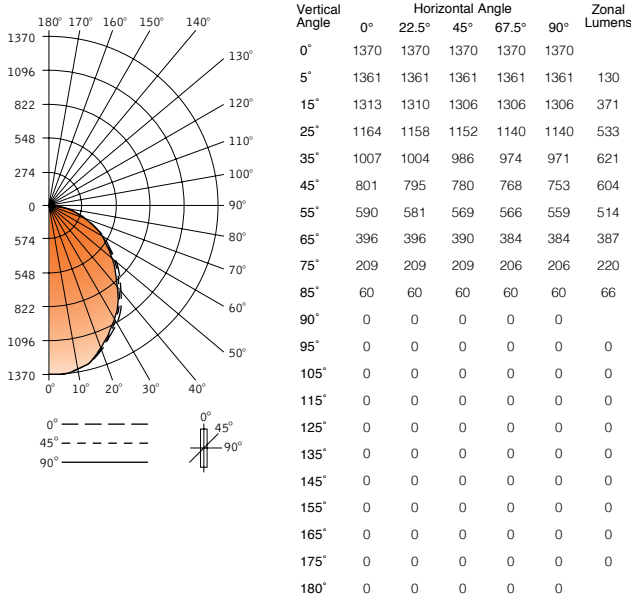
LED - FLUSH LENS

## FSM4L-FL-875LF-35K-LD1-WH-4'

Filename: FSM4LFL875LF35K.IES  
 Test #: 17844.0

Lumens: 3444lm  
 System Watts: 43.0W  
 LPW: 80

### CANDELPWER DISTRIBUTION



### LUMEN SUMMARY

Zone	Lumens	% Fixture
0-30°	1033	30.0
0-40°	1654	48.0
0-60°	2772	80.5
0-90°	3444	100.0
<b>Total Luminaire 0-180°</b>	<b>3444</b>	<b>100.0</b>

### LUMINANCE DATA (CD/M²)

Vertical Angle	0°	45°	90°
45°	9685	9429	9100
55°	8786	8470	8335
65°	8011	7888	7766
75°	6890	6890	6790
85°	5930	5930	5930

Go to [www.focalpointlights.com](http://www.focalpointlights.com) for additional photometric data.

# Seem® 4

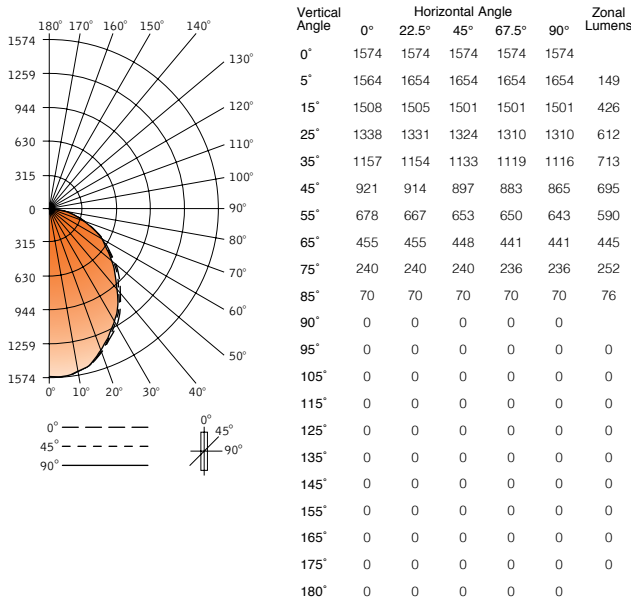
LED - FLUSH LENS

## FSM4L-FL-1000LF-35K-LD1-WH-4'

Filename: FSM4LFL1000LF35K.IES  
 Test #: 17845.0

Lumens: 3959lm  
 System Watts: 51.0W  
 LPW: 78

### CANDELPWER DISTRIBUTION



### LUMEN SUMMARY

Zone	Lumens	% Fixture
0-30°	1188	30.0
0-40°	1901	48.0
0-60°	3186	80.5
0-90°	3959	100.0
<b>Total Luminaire 0-180°</b>	<b>3959</b>	<b>100.0</b>

### LUMINANCE DATA (CD/M²)

Vertical Angle	0°	45°	90°
45°	11130	10836	10458
55°	10097	9735	9579
65°	9206	9066	8925
75°	7918	7918	7803
85°	6815	6815	6815

Go to [www.focalpointlights.com](http://www.focalpointlights.com) for additional photometric data.