

Seem® 2 LED

Grid Ceiling Regressed Lens | FSM2L-SR



FOCAL POINT®

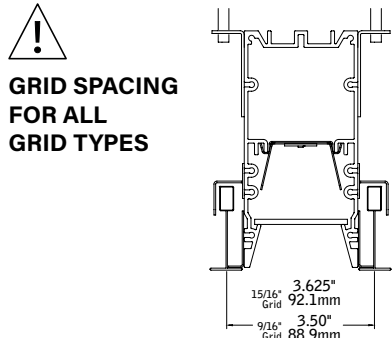
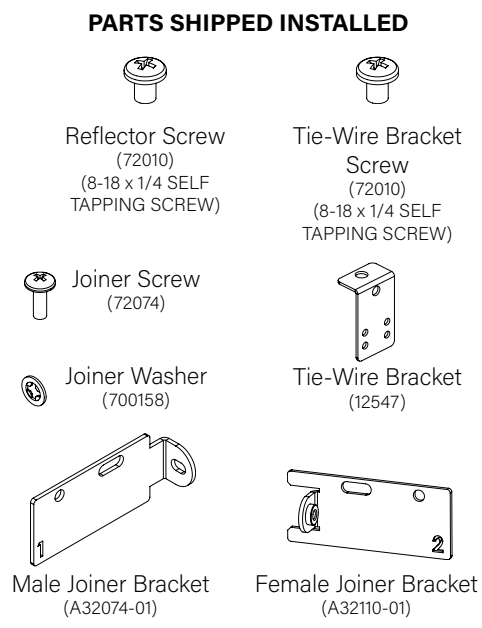
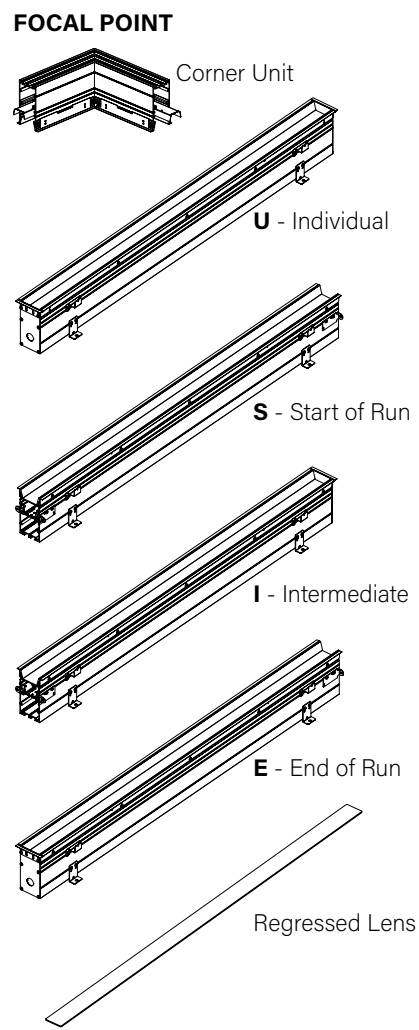
BEFORE YOU BEGIN

- Luminaires must be installed by a qualified electrician (check with local and national codes for proper installation).
- To prevent electrical shock, disconnect electrical supply before installation or servicing.
- Contractor is responsible for adequately reinforcing walls and/or ceilings to support fixture weight.
- Focal Point, LLC accepts no responsibility for inadequately reinforced walls and/or ceilings.
- The information contained in this drawing is the sole property of Focal Point, LLC. Any reproduction in part or whole without the written permission of Focal Point, LLC is prohibited.

INSTRUCTION KEY

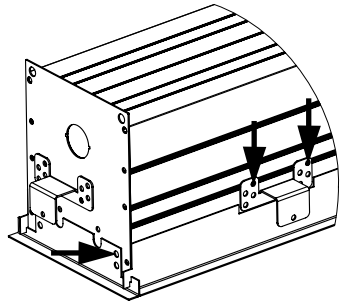
-  **ATTENTION**
-  **SEE ADDITIONAL INSTRUCTIONS**
-  **POWER OFF**
-  **POWER ON**

COMPONENT KEY

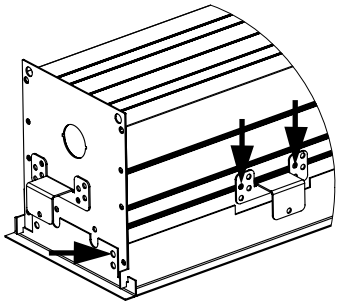


RAIL & CLIP GUIDE

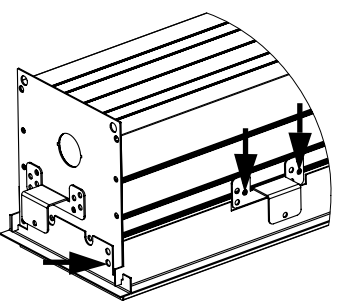
! CHECK RAIL & CLIP POSITIONS BEFORE INSTALLATION. ARROWS INDICATE SCREW POSITIONS. TO CHANGE IN THE FIELD REMOVE AND REINSTALL ACCORDING TO DIAGRAMS BELOW.



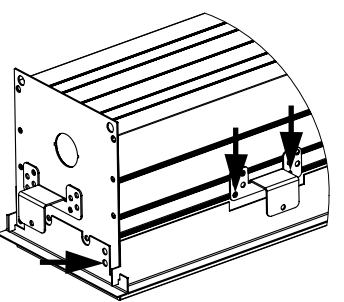
G1: STD 15/16" LAY-IN TILE
G2: STD 9/16" LAY-IN TILE



G4: TALL 15/16" LAY-IN TILE
G5: TALL 9/16" LAY-IN TILE

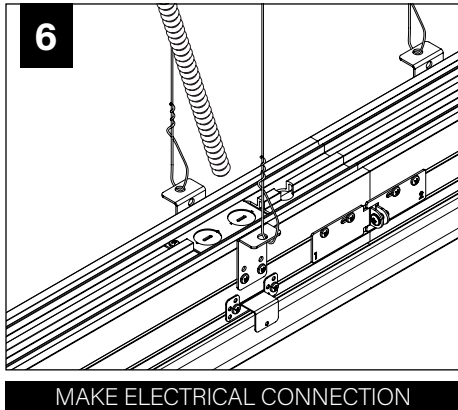
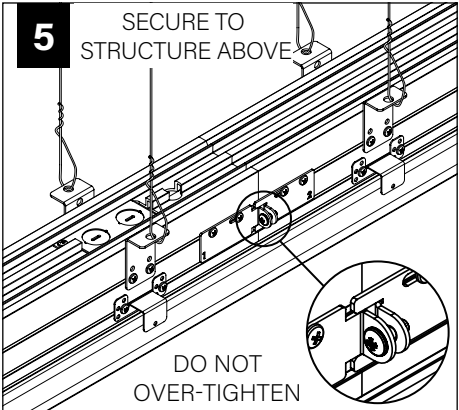
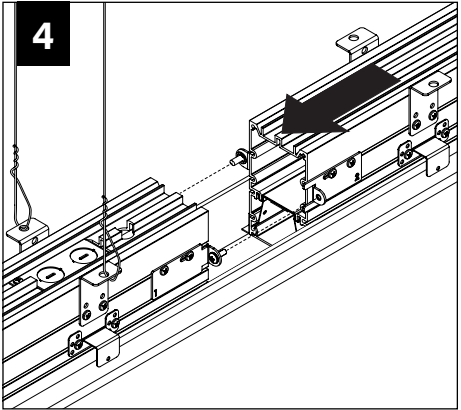
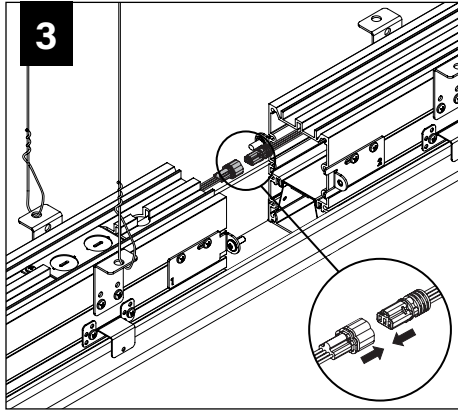
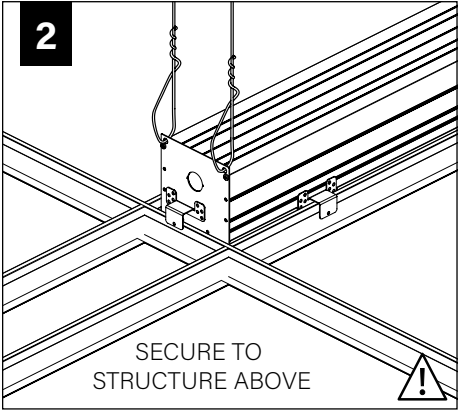
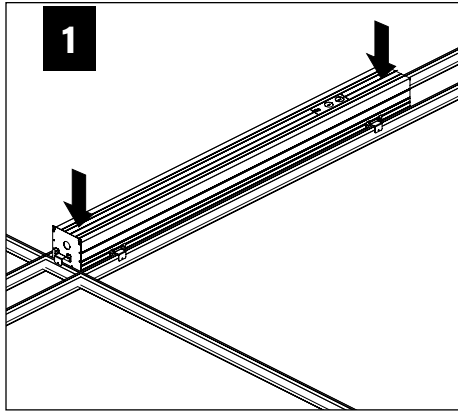
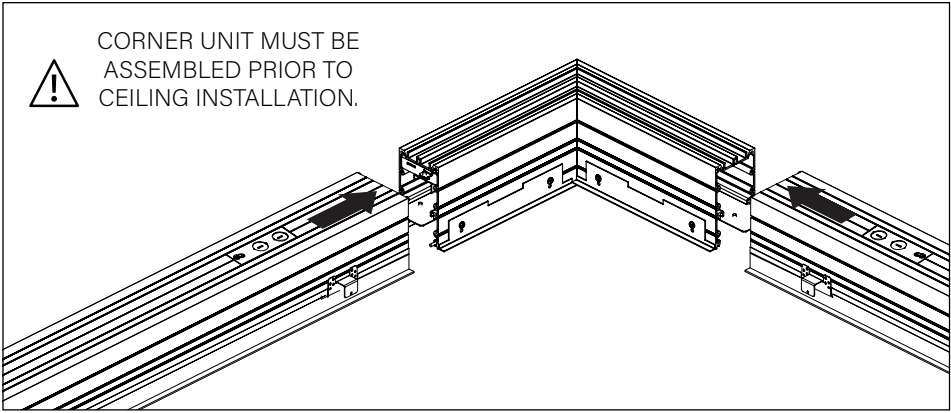


G3: 9/16" SLOT-TEE TEGULAR TILE
T1: STD 15/16" TEGULAR TILE
T2: STD 9/16" TEGULAR TILE
T6: 9/16" NODE TEGULAR TILE

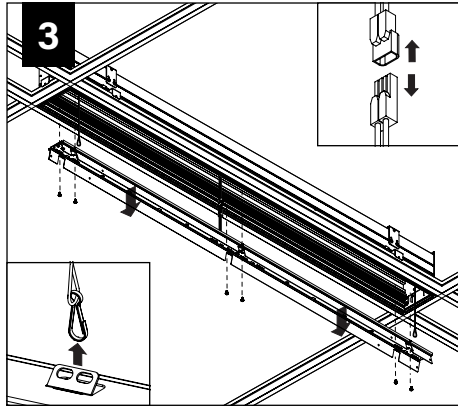
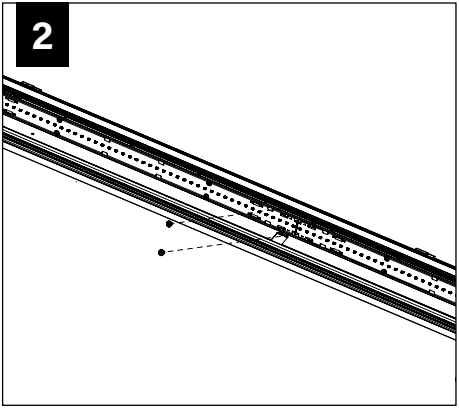
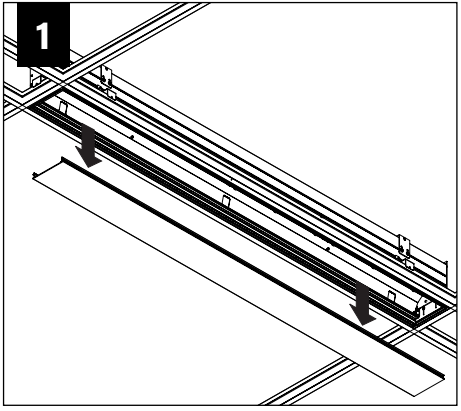


T4: TALL 15/16" TEGULAR TILE
T5: TALL 9/16" TEGULAR TILE

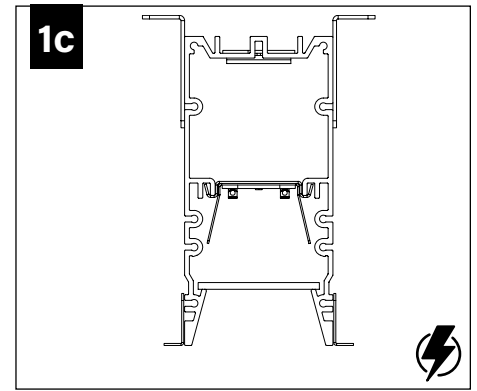
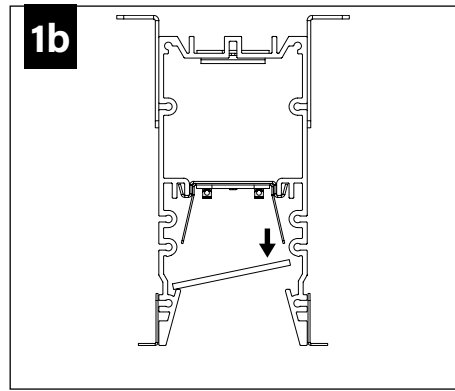
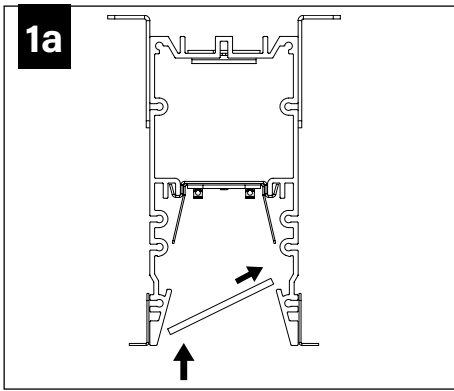
! STD = 1-1/2" TEE HEIGHT, TALL = 1-11/16" TEE HEIGHT



DRIVER SERVICE



LENS INSTALLATION



EMERGENCY

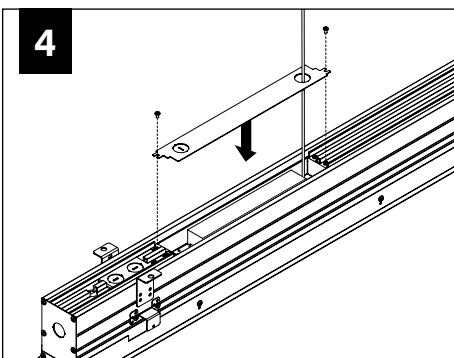
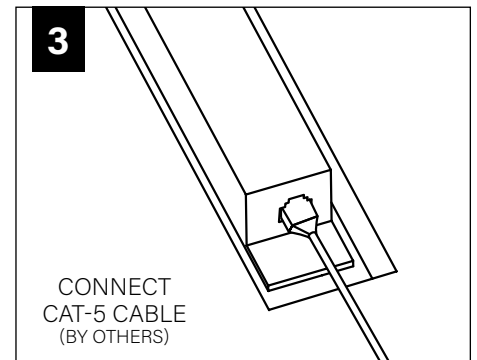
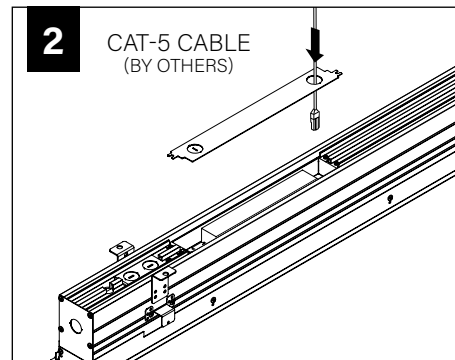
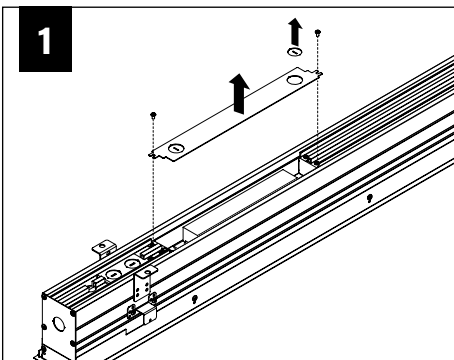


SEE BATTERY MANUFACTURER
INSTRUCTIONS

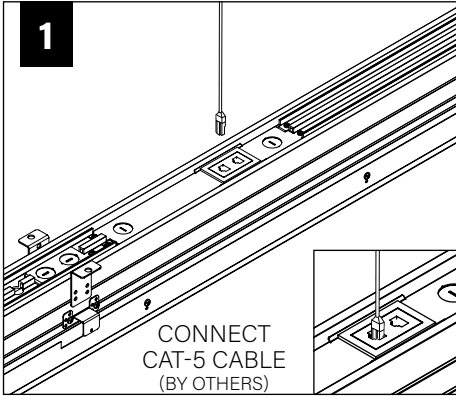
EMERGENCY MAXIMUM MOUNTING HEIGHT:
19.00'



ACUITY nLIGHT



WATTSTOPPER



HUBBELL NX

