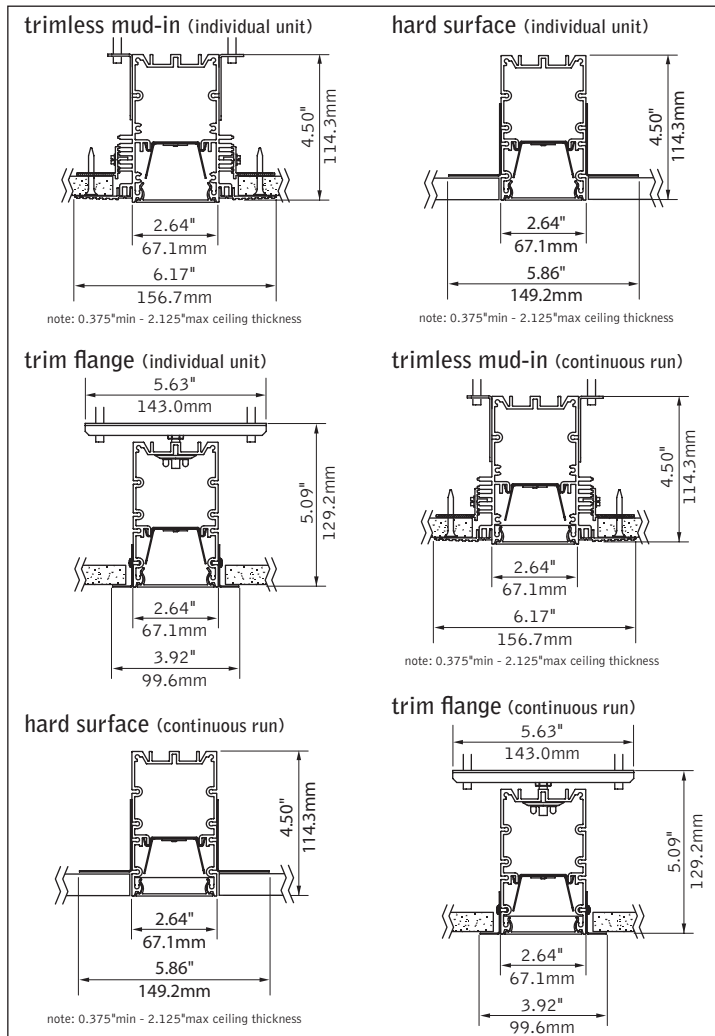


end detail

DIMENSIONAL DATA



FEATURES

Narrow extruded aluminum 2.5" aperture recessed slot LED suitable for wet location.

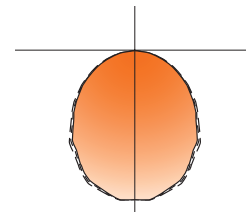
Integrates with ceiling for a clean, unobtrusive aesthetic.

Individual units and continuous runs in 1' increments.

Frosted acrylic lens provides uninterrupted illumination, without pixels or shadows.

LED position and lens material optimized to provide the perfect blend of high performance and visual comfort.

PERFORMANCE



PRODUCT OVERVIEW

Lumen Output:	500-2500lm
Wattage:	5-33W
LPW:	76-96
SDCM:	3

4' Flush Lens
 Nominal output:
 250 Lumens per foot
Delivered Lumens: 1000lm
Total System Watts: 13W

Photometric performance is measured in accordance with IESNA LM-79.
 Visit focalpointlights.com for complete photometric data.

fixture:

project:

SPECIFICATIONS

LED System

Proprietary linear LED module incorporates premium LEDs on a robust platform to achieve excellent thermal management. LEDs are placed to promote a uniform appearance. Available in 3000K, 3500K, 4000K with CRI>80, 3SDCM. LED modules and drivers are replaceable from below.

Construction

One piece extruded aluminum housing. 20 Ga. steel end caps. Housing for new construction applications. 2' unit weight: 5.1 lbs., 3' unit weight: 7.6 lbs., 4' unit weight: 10.1 lbs., 5' unit weight: 12.6 lbs.

Optic

Reflectors fabricated of 22 Ga. steel finished in High Reflectance White powder coat. Extruded acrylic lens .07" thick with satin finish, up to 8' continuous. .020" thick acrylic lens water shield included for continuous runs.

Electrical

Luminaires are pre-wired with factory installed branch circuit wiring and over-molded quick connects. Standard 120-277V constant current driver includes 0-10V analog dimming. Power factor > .9.

Emergency Battery

Output - 10 watts for 90 minutes. Maximum mounting height: 17.9ft.

Labels

UL and cUL Listed for wet location recessed ceiling applications in indoor and outdoor environments. Lutron Drivers not recommended for outdoor environments below 0°C.

Finish

Polyester powder coat applied over a multi-stage pre-treatment.

Lumen Maintenance

Reported: L70 at >61,000 hours Calculated: L70 at 270,000 hours
 L90 at >61,000 hours L90 at 73,000 hours

Derived from EPA TM-21 calculator. Based on typical conditions, consult factory for additional data.

Reliability

At Focal Point, our products are designed to stand the test of time. Each luminaire is engineered using superior components, manufactured with the utmost care and rigorously tested. Contact us for reliability data.

Warranty

LED system rated for operation in ambient environments up to 35°C. 5-year limited warranty.

4' PERFORMANCE CHART

Shielding	Lumens per Foot	Delivered Lumens	Tested System Watts	LPW
Flush Lens	125LF	500	5	96
	250LF	1000	13	80
	375LF	1500	19	79
	625LF	2500	33	76

Based on 3500K, 4' lengths. Lumen multiplier: Continuous runs = 0.93 Lumen output may vary +/- 5%. Actual wattage may vary +/- 5%.

ORDERING

Luminaire Series	FSM2LWL
Seem 2 LED Wet Location	FSM2LWL
Shielding	FL
Flush Satin Lens <small>(Ceiling applications only)</small>	FL
Lumen Output	
125 Lumens per foot <small>(4' minimum.)</small>	125LF
250 Lumens per foot	250LF
375 Lumens per foot	375LF
625 Lumens per foot	625LF
Color Temperature	
3000K	30K
3500K	35K
4000K	40K
Circuit	1C
Single Circuit	1C
Voltage	UNV
UNV 120/277 Volt	UNV
Control System & Dimming Level	
0-10V - 1% Dimming	L11
0-10V - 10% Dimming	LD1
Lutron H-Series - 1% Dimming	LH1
Lutron 5-Series - 5% EcoSystem Digital	LU5
Ceiling Configuration	
Trim Flange Drywall	TF
Mud-in Trimless, pre-set for 1/2" Drywall	XF1
Mud-in Trimless, pre-set for 5/8" Drywall	XF2
Mud-in Trimless, set thickness in field <small>(Mounting equipment assembled in field)</small>	XFF
Non-Drywall Hard Surface	XFN
Factory Options	
Chicago Plenum	CP
Emergency Circuit	EC
Emergency Battery Pack <small>(4' lengths or longer)</small>	EM
6' New York City Flex Whip	FNY
6' Flex Whip	FW
Finish	WH
Matte White Housing	WH
Luminaire Length	ft
Specify luminaire/row length in 1' increments <small>(2' minimum, lengths are nominal. Housing length is 1" shorter than specified.)</small>	_ft