

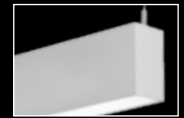
trimless mud-in



trim flange

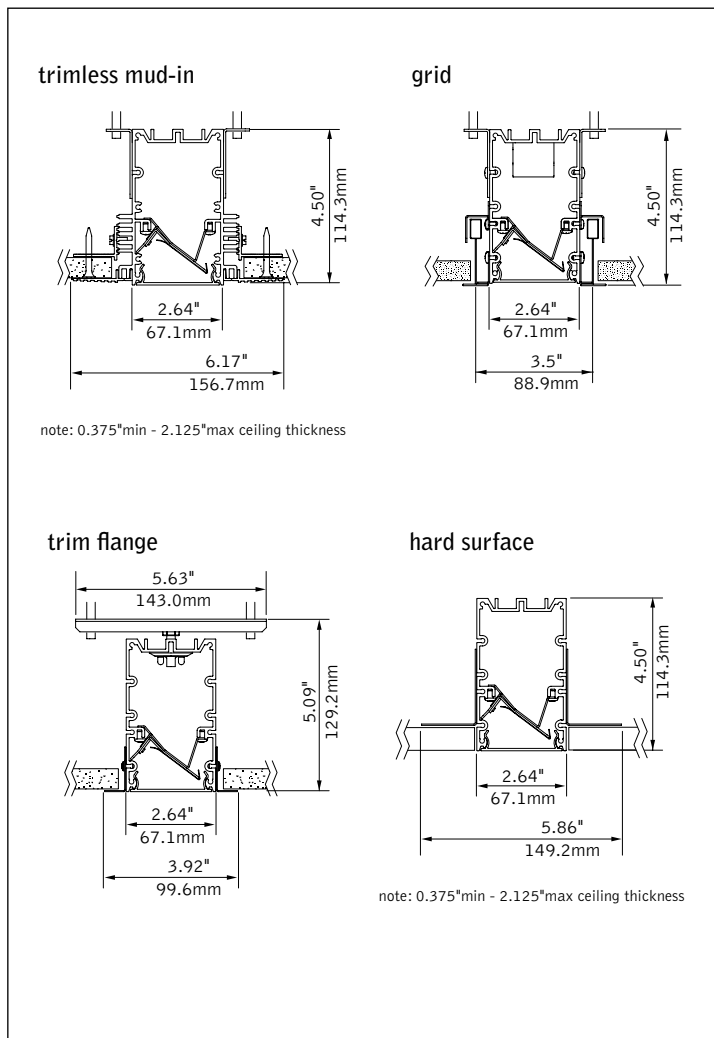


grid



suspended companion

## DIMENSIONAL DATA



## FEATURES

Narrow extruded aluminum 2.5" aperture recessed asymmetric LED luminaire.

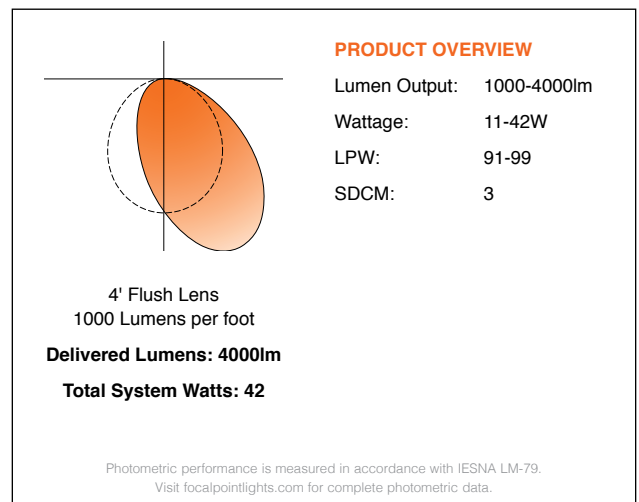
Integrates with the ceiling for a clean unobtrusive aesthetic.

Individual units and continuous runs in 1' increments.

Flush frosted acrylic lens provides uninterrupted illumination.

Concealed LEDs provide the perfect blend of performance and visual comfort.

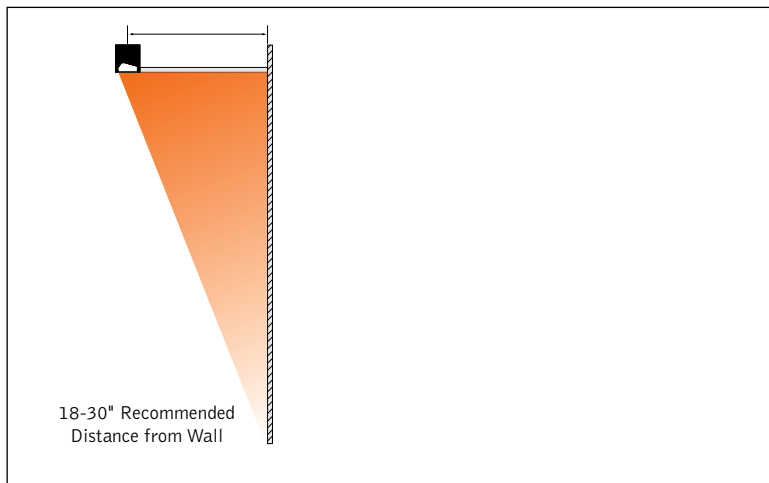
## PERFORMANCE



fixture:

project:

**DETAILS**



**SPECIFICATIONS**

**LED System**

Proprietary linear LED module incorporates premium LEDs on a robust platform to achieve excellent thermal management. LEDs are placed to promote a uniform appearance. Available in 3000K, 3500K, 4000K with CRI>80, 3SDCM. LED modules and drivers are replaceable from below.

**Construction**

One piece extruded aluminum housing. 20 Ga. steel end caps. Housing for new construction applications. 2' unit weight: 5.1 lbs., 3' unit weight: 7.6 lbs., 4' unit weight: 10.1 lbs., 5' unit weight: 12.6 lbs.

**Optic**

Reflector fabricated of low iridescent, semi-specular premium grade aluminum. Acrylic lens .098" thick with satin finish, up to 8' continuous.

**Electrical**

Luminaires are pre-wired with factory installed branch circuit wiring and over-molded quick connects. Standard 120-277V constant current driver includes 0-10V analog dimming. Power factor > .9.

**Emergency Battery**

Emergency output - 10 watts for 90 minutes. Max. mounting height: 21ft.

**Labels**

UL and cUL listed. Suitable for Dry or Damp Locations, indoor use only.

**Finish**

Polyester powder coat applied over a multi-stage pre-treatment.

**Lumen Maintenance**

Reported: L70 at >61,000 hours                      Calculated: L70 at 480,000 hours  
 L90 at >61,000 hours                                  L90 at 128,000 hours  
 Derived from EPA TM-21 calculator. Based on typical conditions, consult factory for additional data.

**Reliability**

At Focal Point, our products are designed to stand the test of time. Each luminaire is engineered using superior components, manufactured with the utmost care and rigorously tested. Contact us for reliability data.

**Warranty**

LED system rated for operation in ambient environments up to 25°C. 5-year limited warranty.

**4' PERFORMANCE CHART**

Lumens per Foot	Delivered Lumens	Tested System Watts	LPW
250LF	1000	11	91
375LF	1500	16	97
625LF	2500	26	99
875LF	3500	36	96
1000LF	4000	42	94

Based on 3500K, 4' lengths. Lumen multipliers: 3000K = 1.035, 4000K = 0.975. Lumen output may vary +/- 5%. Actual wattage may vary +/- 5%

Focal Point LLC reserves the right to change specifications for product improvement without notification.

**ORDERING**

<b>Luminaire Series</b>	<b>FSM2AL</b>	<b>FSM2AL</b>
Seem 2 Asymmetric LED	FSM2AL	
<b>Shielding</b>		<b>FFL</b>
Flush Frosted Lens	FFL	
<b>Lumen Output</b>		
250 Lumens per foot <small>(3' minimum length with DALI &amp; Lutron Drivers)</small>	250LF	
375 Lumens per foot	375LF	
625 Lumens per foot	625LF	
875 Lumens per foot	875LF	
1000 Lumens per foot	1000LF	
<b>Color Temperature</b>		
3000K	30K	
3500K	35K	
4000K	40K	
<b>Circuit</b>		<b>1C</b>
Single Circuit	1C	
<b>Voltage</b>		<b>UNV</b>
120/277 UNV Volt	UNV	
<b>Control System &amp; Dimming Level</b>		
0-10V - 10% Dimming	LD1	
0-10V - 1% Dimming	L11	
Lutron Hi-Lume EcoSystem (LDE1) - 1% Dimming	LH1	
Lutron 5-Series EcoSystem (LDE5) - 5% Dimming	LU5	
DALI 1% Dimming	D11	
<b>Ceiling Configuration</b>		
Std. 15/16" Lay-in	G1	
Std. 15/16" Tegular	T1	
Std. 9/16" Lay-in	G2	
Std. 9/16" Tegular	T2	
9/16" Slot-tee Tegular	G3	
Tall 15/16" Lay-in	G4	
Tall 15/16" Tegular	T4	
Tall 9/16" Lay-in	G5	
Tall 9/16" Tegular	T5	
Node 9/16" Tegular	T6	
Trim Flange Drywall	TF	
Trim Flange Wood	TFW	
Mud-in Trimless, pre-set for 1/2" Drywall	XF1	
Mud-in Trimless, pre-set for 5/8" Drywall	XF2	
Mud-in Trimless, set thickness in field <small>(Mounting equipment assembled in field)</small>	XFF	
Non-Drywall Hard Surface	XFN	
Hard Surface, Wood	XFW	
<b>Factory Options</b>		
Chicago Plenum	CP	
Emergency Circuit	EC	
Emergency Battery Pack <small>(4' lengths or longer)</small>	EM	
6' New York City Flex Whip (120V)	FNY1	
6' New York City Flex Whip (277V)	FNY2	
6' Flex Whip	FW	
<b>Finish</b>		<b>WH</b>
Matte White Housing	WH	
<b>Luminaire Length</b> <small>(Lengths are nominal. 2' minimum length.)</small>		
Specify luminaire/row length in 1' increments <small>(Smaller increments available. Consult factory for details.)</small>	X'	

For more information visit focalpointlights.com/reference or consult factory.

# Seem<sup>®</sup>2

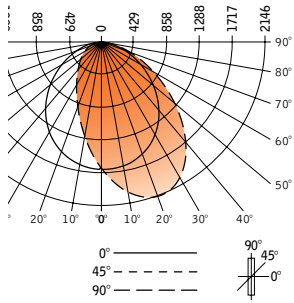
LED ASYMMETRIC

**FSM2AL-FL-1000LF-35K-1C-UNV-LD1-WH-4'**

Filename: FSM2ALFL1000LF35KWH.IES  
 Test #: 11460483.06

Lumens: 3906lm  
 Watts: 41W  
 LPW: 94

## CANDLEPOWER DISTRIBUTION



Vertical Angle	Horizontal Angle				
	0°	45°	90°	135°	180°
0°	1649	1649	1649	1649	1649
5°	1843	1790	1656	1463	1428
15°	2109	1961	1565	1131	1010
25°	2107	1943	1401	844	700
35°	1830	1720	1174	622	495
45°	1391	1348	908	454	358
55°	930	925	640	323	257
65°	543	548	395	214	174
75°	255	256	197	119	98
85°	62	60	53	36	31
90°	0	0	0	0	0
95°	0	0	0	0	0
105°	0	0	0	0	0
115°	0	0	0	0	0
125°	0	0	0	0	0
135°	0	0	0	1	1
145°	0	0	1	1	2
155°	0	0	1	2	2
165°	0	0	1	2	2
175°	1	1	1	1	2
180°	1	1	1	1	1

## LUMEN SUMMARY

Zone	Lumens	%
0-40°	1987	50.9
0-60°	3256	83.4
0-90°	3904	99.9
<b>Total Luminaire 0-180°</b>	<b>3906</b>	<b>100</b>

Go to [www.focalpointlights.com](http://www.focalpointlights.com) for additional photometric data.