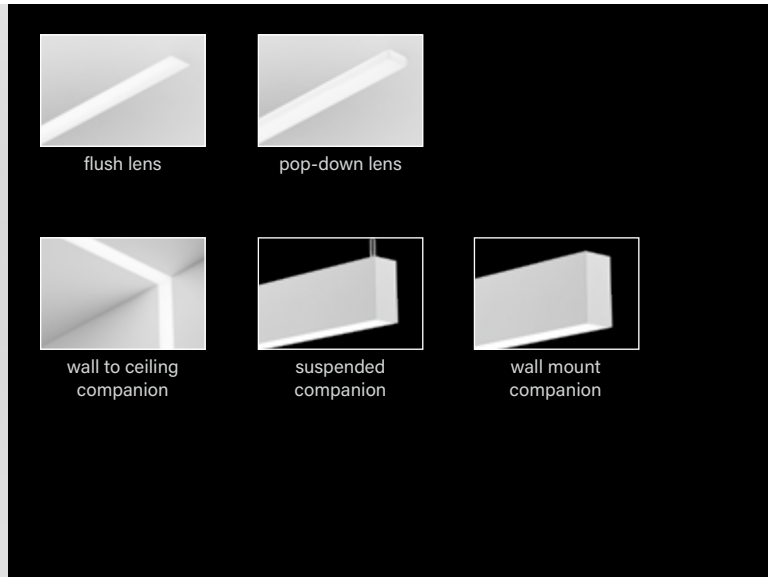
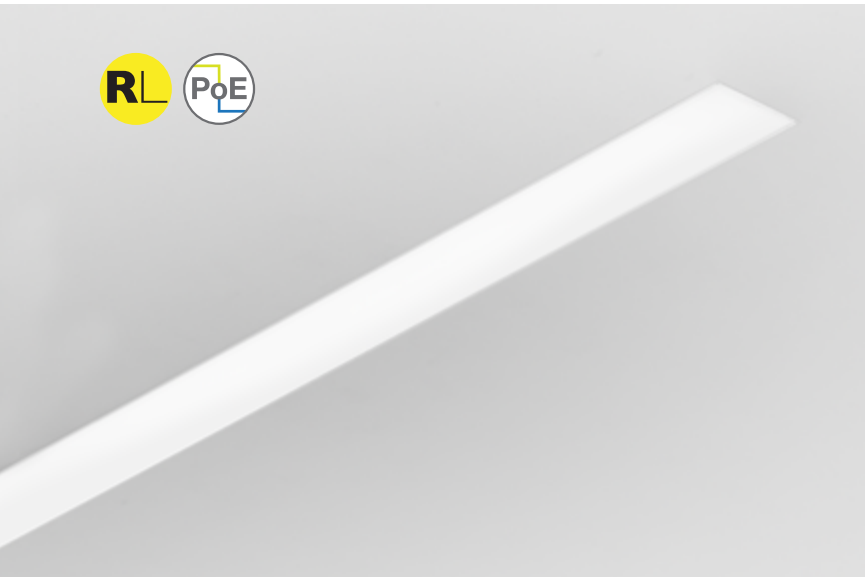
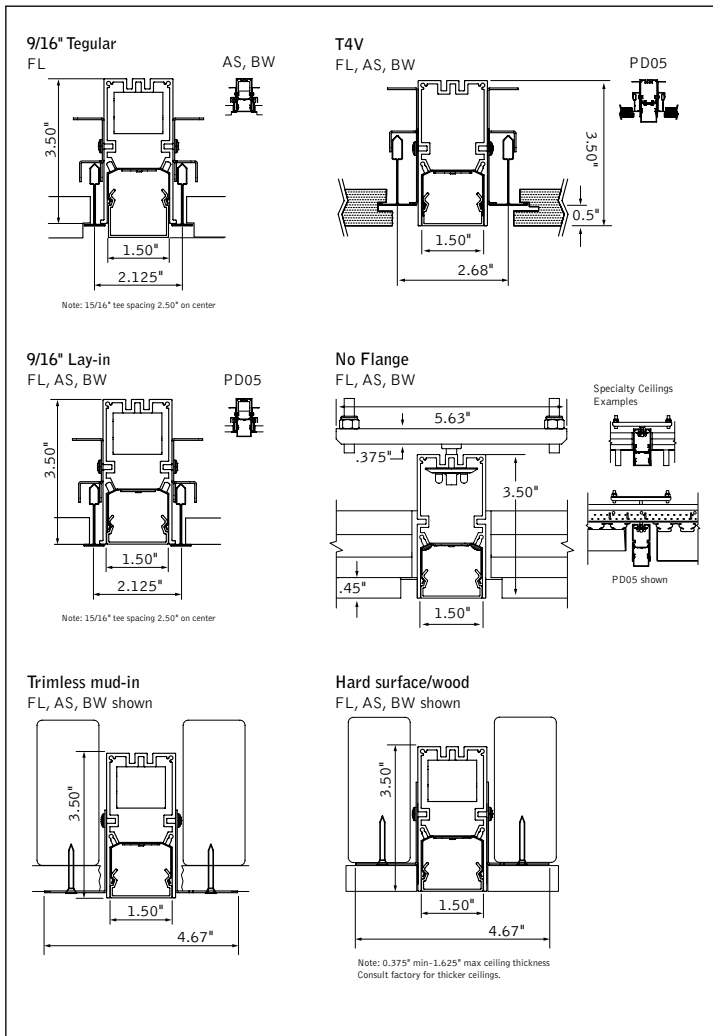


# Seem® 1

LED RECESSED



## DIMENSIONAL DATA



## FEATURES

Narrow extruded aluminum 1.5" recessed linear slot LED with Asymmetric, Batwing and Pop-Down lens options.

Individual units and continuous runs in 1" increments.

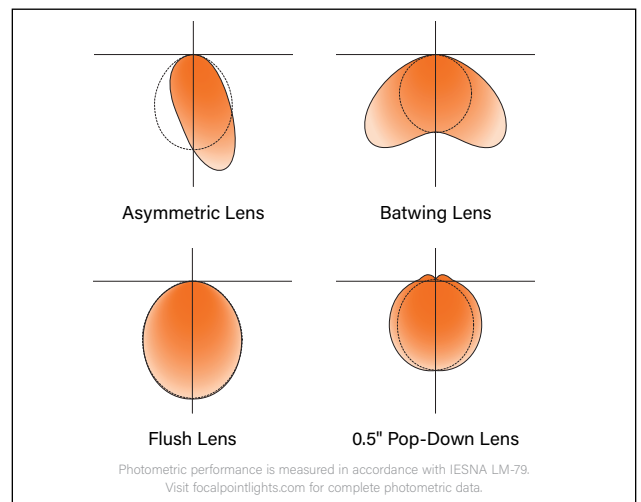
Frosted acrylic lens provides uninterrupted illumination, without pixels or shadows.

LED position and lens material optimized to provide the perfect blend of high performance and visual comfort.

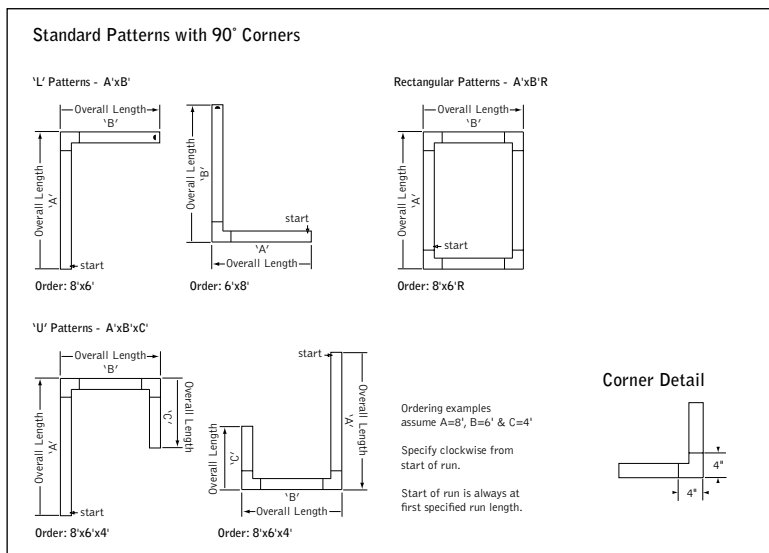
Choice of output levels to meet a wide variety of application needs.

PoE compatible: Integrates with Power over Ethernet lighting systems via standard, low-voltage wires.

## DISTRIBUTIONS



**DETAILS**



**SPECIFICATIONS**

**LED System**

Proprietary linear LED module incorporates premium LEDs on a robust platform to achieve excellent thermal management. LEDs are placed to promote a uniform appearance. Available in 3000K, 3500K or 4000K with both 80 and 90 CRI options. 3500K and 4000K with CRI>90 have a cyanosis observation index (COI) of 3.3 or less. LED modules and drivers are replaceable from below. Color accuracy <3 SDCM.

**Construction**

One piece extruded aluminum housing. 20 Ga. steel end caps. Housing for new construction applications. XFW acceptable for use with wood, consult factory for Type IC availability. 8' unit weight: 15lbs.

**Optic**

Reflectors fabricated of 22 Ga. steel finished in High Reflectance White powder coat. Extruded acrylic lens .07" thick with frosted finish, up to 8' continuous. 15-30" recommended distance from wall for Asymmetric Lens (AS).

**Electrical**

Luminaires are pre-wired with factory installed branch circuit wiring and over-molded quick connects. Standard 120-277V constant current driver includes 0-10V analog dimming. Power factor > .9. PoE compatible: Integrates with Power over Ethernet lighting systems via standard, low-voltage wires. PoE runs require an independent PoE node and power feed for each luminaire section.

**Emergency Battery**

Emergency output - 10 watts for 90 minutes.

**Labels**

UL and cUL listed. Suitable for Dry or Damp Locations, indoor use only.

**Finish**

Polyester powder coat applied over a multi-stage pre-treatment.

**Lumen Maintenance**

Reported: L70 at >61,000 hours      Calculated: L70 at 470,000 hours  
 L90 at >61,000 hours                      L90 at 115,000 hours

Derived from EPA TM-21 calculator. Based on typical conditions, consult factory for additional data.

**Reliability**

At Focal Point, our products are designed to stand the test of time. Each luminaire is engineered using superior components, manufactured with the utmost care and rigorously tested. Contact us for reliability data.

**Warranty**

LED system rated for operation in ambient environments up to 25°C. 5-year limited warranty.

**4' PERFORMANCE CHART**

See page 3.

**ORDERING**

**Luminaire Series**

Seem 1 LED FSM1

**Shielding**

Asymmetric Lens AS  
 Batwing Lens BW  
 Flush Lens FL  
 0.5" Pop-Down Lens PD05  
(Not available with T1, T2, T4, T5 regular ceiling configurations.)

**Lumen Output**

125 Lumens per foot 125LF  
(4' minimum length. Consult factory for Lutron, DALI)  
 250 Lumens per foot 250LF  
(3' minimum length)  
 375 Lumens per foot 375LF  
 500 Lumens per foot 500LF  
 625 Lumens per foot 625LF

**Color Temperature**

3000K, 80+ CRI or 90+ CRI 30K or 930K  
 3500K, 80+ CRI or 90+ CRI 35K or 935K  
 4000K, 80+ CRI or 90+ CRI 40K or 940K

**Circuits & Zones**

1 Circuit, non-emergency 1C  
 Consult Ordering Guide on page 4 for multiple circuiting and zoning options \_C\_Z\_DL

**Voltage**

120/277 UNV Volt UNV  
 347 Volt 347  
(LD1 driver only)  
 Low Voltage LV

**Control System & Dimming Level**

0-10V - 10% Dimming LD1  
 0-10V - 1% Dimming L11  
 Low Voltage, PoE compatible LVN  
(No driver. Not available with EM or EC. LV Voltage only.)  
 Lutron Hi-Lume EcoSystem (LDE1) - 1% Dimming LH1  
 DALI 1% Dimming D11

**Ceiling Configuration**

Std. 15/16" Lay-in or Std. 15/16" Tegular G1 or T1  
 Std. 9/16" Lay-in or Std. 9/16" Tegular G2 or T2  
 9/16" Slot-tee Tegular G3  
 Tall 15/16" Lay-in or Tall 15/16" Tegular G4 or T4  
 Tall 15/16" Tegular for specialty ceilings (0.5" drop) T4V  
 Tall 9/16" Lay-in or Tall 9/16" Tegular G5 or T5  
 Node 9/16" Tegular T6  
 No Flange for specialty ceilings NF  
(Ex. slat, panel, cloud systems.)  
 Mud-in Trimless XFF  
 Non-Drywall Hard Surface XFN  
 Hard Surface, Wood XFW

**Factory Options**

(See Ordering Guide on page 4 for ordering details for DC, EC, EM & ECD.)  
 Chicago Plenum CP  
 Daylight Circuit \_DC  
 Emergency Circuit \_EC  
 Emergency Battery Pack† \_EM  
 Emergency Control Device† \_ECD  
†(4' minimum length, 120/277 Volt only.)  
 6' New York City Flex Whip (120V) FNY1  
 6' New York City Flex Whip (277V) FNY2  
 6' Flex Whip FW

**Finish**

Matte White Housing WH

**Luminaire Length**

Specify luminaire/row length in 1" increments \_ft\_in

(2' minimum, lengths are nominal 1" increments based on T-centers. Housing length is 1" shorter than specified. Leave blank for patterns. Smaller increments available, consult factory.)

**Pattern Options**

(3' minimum length)  
 'L' pattern A' x B'  
 'U' pattern A' x B' x C'  
 Rectangular pattern A' x B' R  
(Consult factory for other pattern options)

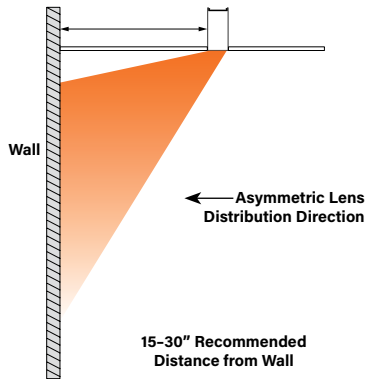
**QS 10 DAY** Options in orange qualify for the Quickship program. 1000' total, 48' maximum per pattern section. Refer to Quickship Guide for complete details including EM/EC options.

#### 4' PERFORMANCE CHART

Lumen Output	Delivered Lumens	Tested System Watts	Lumens Per Watt (LPW)			
			AS	BW	FL	PD05
125LF	500	6	82	81	75	76
250LF	1000	10	105	98	98	99
375LF	1500	15	110	103	104	105
500LF	2000	19	114	106	106	107
625LF	2500	24	110	103	103	100

Based on 3500K, 4' length. Lumen multipliers: Preferred Light = 0.65, 90 CRI = 0.87.  
 Delivered lumens may vary +/- 5%. Actual wattage may vary +/- 5%

#### DIRECT ASYMMETRIC Standard Application Example



# Ordering Guide



Direct Only Linear Circuitry, Zones & Factory Options

## HOW TO USE THIS GUIDE

Fill out the worksheet on the following page to specify your requirements for circuitry, zones, and factory options.

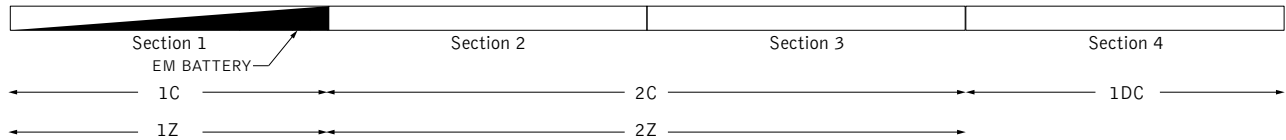
Refer to the run chart for standard run configurations, consult factory for custom configurations.

Complete the Totals / Ordering Codes at the bottom of the worksheet and add to your ordering logic on the cut sheet.

Submit the worksheet along with your order.

TOTAL RUN LENGTH: <u>32ft</u>		JOB NAME: _____			FIXTURE TYPE: _____			
EXAMPLE	HOUSING SECTION	SECTION LENGTH	SHARED ELECTRICAL FEED, NORMAL POWER			FACTORY OPTIONS		
			SWITCHING CIRCUIT	DIMMING ZONE	DAYLIGHT ZONE	SEPARATE ELECTRICAL FEEDS		
						DAYLIGHT CIRCUIT	EMERGENCY CIRCUIT	ECD
1	8	1C	1Z					1EM
2	8	2C	2Z					
3	8	2C	2Z					
4	8				1DC			
<b>Totals / Ordering Codes</b>		<b>2C</b>	<b>2Z</b>		<b>1DC</b>			<b>1EM</b>

ORDERING: FSM4L-FL-625LF-35K- **2C2Z** -UNV-LD1-G2- **1DC-1EM** -WH-32ft



KEY	
<b>C = Switching Circuit</b> Switched Hot / Shared Neutral	<b>DC = Daylight Circuit</b> Switched Hot / Separate Neutral
<b>Z = Dimming Zone</b> Dimming Control Wires	<b>EC = Emergency Circuit</b> Switched Hot / Separate Neutral
<b>DL = Daylight Zone</b> Daylight Dimming Control Wires	<b>EM = Emergency Battery</b> Unswitched Hot / Shared Neutral
	<b>ECD = Emergency Control Device</b> Unswitched Hot / Separate Neutral

## DEFAULTS

- Zones and Factory Options illuminate entire sections from 4' to 8' in length.
- One shared or isolated circuit and zone required per housing section.
- Limit of one EM or ECD per housing section.
- Additional electrical feed required for applications greater than three shared circuits and zones.
- Each DC, EC and ECD require an additional electrical feed.
- ECD not available in the same housing section as EC.
- Longer lead times and additional pricing may apply for custom run configurations.

## CUSTOM LENGTHS

- If partial illumination of emergency or daylight section is required, indicate in ordering guide and add "partial illumination" in Order Notes. Drawing required.
- Engineering validation required, longer lead times may apply.

# Ordering Guide Worksheet

Linear Circuitry, Zones & Factory Options



TOTAL RUN LENGTH: _____		JOB NAME: _____			FIXTURE TYPE: _____			
HOUSING SECTION	SECTION LENGTH	SHARED ELECTRICAL FEED, NORMAL POWER			FACTORY OPTIONS			EM
		SWITCHING CIRCUIT	DIMMING ZONE	DAYLIGHT ZONE	SEPARATE ELECTRICAL FEEDS			
DAYLIGHT CIRCUIT	EMERGENCY CIRCUIT				ECD			
1								
2								
3								
4								
5								
6								
7								
8								
9								
10								
11								
12								
13								
14								
15								
16								
17								
18								
19								
20								
<b>Totals / Ordering Codes</b>								

WORKSHEET

Combine to create Circuits & Zones ordering code

Enter as individual Factory Options

## RUN CHART

Run length (ft)	Housing Configuration Section Lengths	Run length (ft)	Housing Configuration Section Lengths	Run length (ft)	Housing Configuration Section Lengths	Run length (ft)	Housing Configuration Section Lengths
9	5 + 4	21	8 + 8 + 5	33	8 + 8 + 8 + 5 + 4	45	8 + 8 + 8 + 8 + 8 + 5
10	6 + 4	22	8 + 8 + 6	34	8 + 8 + 8 + 6 + 4	46	8 + 8 + 8 + 8 + 8 + 6
11	7 + 4	23	8 + 8 + 7	35	8 + 8 + 8 + 7 + 4	47	8 + 8 + 8 + 8 + 8 + 7
12	8 + 4	24	8 + 8 + 8	36	8 + 8 + 8 + 8 + 4	48	8 + 8 + 8 + 8 + 8 + 8
13	8 + 5	25	8 + 8 + 5 + 4	37	8 + 8 + 8 + 8 + 5		
14	8 + 6	26	8 + 8 + 6 + 4	38	8 + 8 + 8 + 8 + 6		
15	8 + 7	27	8 + 8 + 7 + 4	39	8 + 8 + 8 + 8 + 7		
16	8 + 8	28	8 + 8 + 8 + 4	40	8 + 8 + 8 + 8 + 8		
17	8 + 5 + 4	29	8 + 8 + 8 + 5	41	8 + 8 + 8 + 8 + 5 + 4		
18	8 + 6 + 4	30	8 + 8 + 8 + 6	42	8 + 8 + 8 + 8 + 6 + 4		
19	8 + 7 + 4	31	8 + 8 + 8 + 7	43	8 + 8 + 8 + 8 + 7 + 4		
20	8 + 8 + 4	32	8 + 8 + 8 + 8	44	8 + 8 + 8 + 8 + 8 + 4		

Standard run configurations, consult factory for custom configurations.