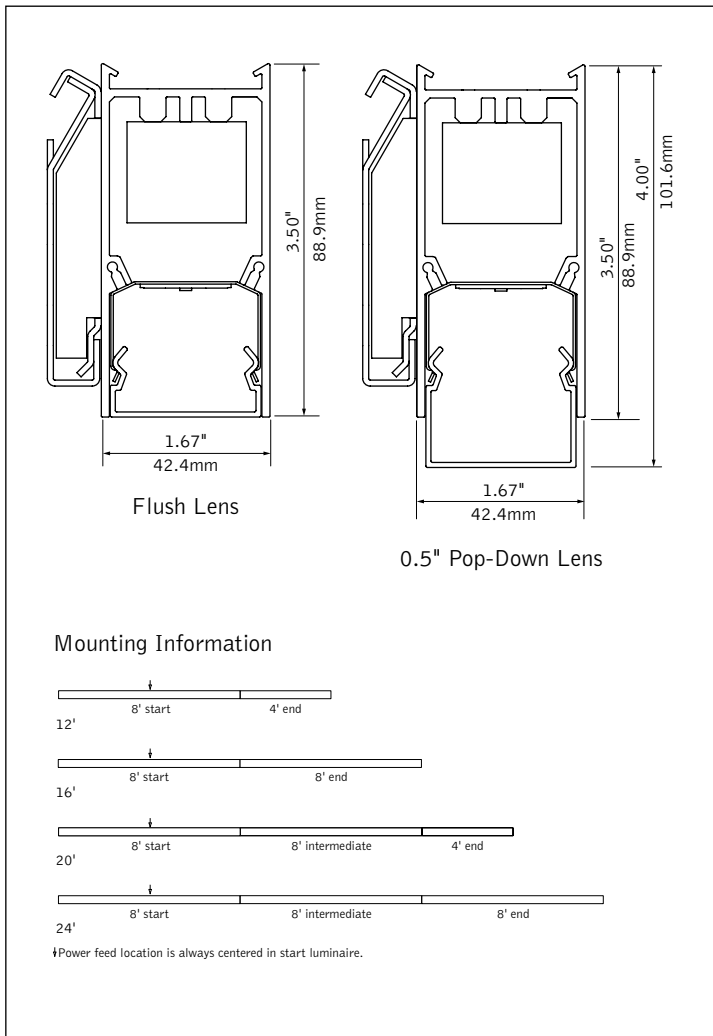


Pop-Down Lens



Corner detail

DIMENSIONAL DATA



FEATURES

Narrow extruded aluminum 1.5" linear direct wall mount LED.

Individual units and continuous runs in 1" increments.

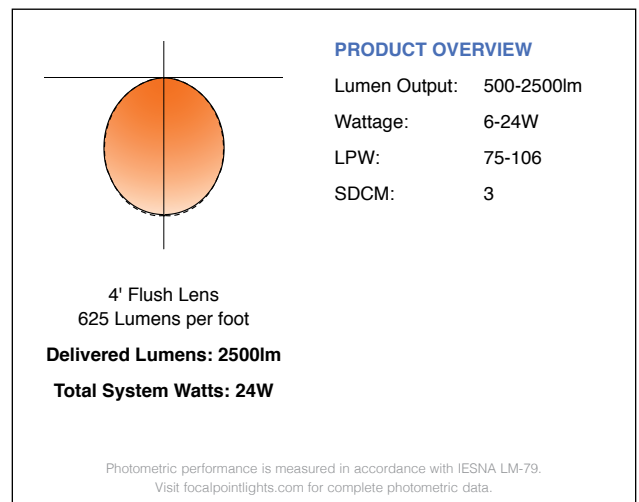
Frosted acrylic lens provides uninterrupted illumination, without pixels or shadows.

LED position and lens material optimized to provide the perfect blend of high performance and visual comfort.

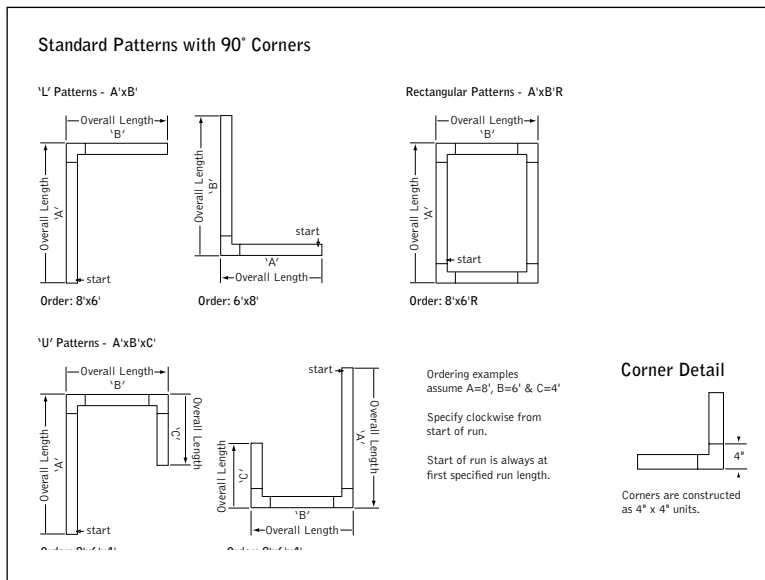
Choice of output levels to meet a wide variety of application needs.

Preferred Light: Lighting for better color rendition and human preference.

PERFORMANCE



DETAILS



SPECIFICATIONS

LED System

Proprietary linear LED module incorporates premium LEDs on a robust platform to achieve excellent thermal management. LEDs are placed to promote a uniform appearance. Available in 3000K, 3500K or 4000K with both 80 and 90 CRI options. LED modules and drivers are replaceable from below. Color accuracy <3 SDCM.

Construction

One piece extruded aluminum housing. Cast aluminum end caps. 8' unit weight: 15lbs.

Optic

Reflectors fabricated of 22 Ga. steel finished in High Reflectance White powder coat. Extruded acrylic lens .07" thick with frosted finish, up to 8' continuous.

Electrical

Luminaires are pre-wired with factory installed branch circuit wiring and over-molded quick connects. Standard 120-277V constant current driver includes 0-10V analog dimming. Power factor > .9.

Emergency Battery

Emergency output - 10 watts for 90 minutes. See EM/EC Guide for default locations and ordering details.

Labels

UL and cUL listed. Suitable for Dry or Damp Locations, indoor use only.

Finish

Polyester powder coat applied over a multi-stage pre-treatment.

Lumen Maintenance

Reported: L70 at >61,000 hours Calculated: L70 at 470,000 hours
 L90 at >61,000 hours L90 at 115,000 hours

Derived from EPA TM-21 calculator. Based on typical conditions, consult factory for additional data.

Reliability

At Focal Point, our products are designed to stand the test of time. Each luminaire is engineered using superior components, manufactured with the utmost care and rigorously tested. Contact us for reliability data.

Warranty

LED system rated for operation in ambient environments up to 25°C. 5-year limited warranty.

4' PERFORMANCE CHART

Shielding	Lumens per Foot	Delivered Lumens	Tested System Watts	LPW
Flush Lens	125LF	500	6	75
	250LF	1000	10	98
	375LF	1500	15	104
	500LF	2000	19	106
	625LF	2500	24	104

Based on 3500K, 4' lengths. Lumen Multipliers: Pop-Down Lens = 1.01, Preferred Light = 0.65, 90 CRI = 0.87. Lumen output may vary +/- 5%. Actual wattage may vary +/- 5%.

Focal Point LLC reserves the right to change specifications for product improvement without notification.

ORDERING

Luminaire Series	FSM1W
Seem 1 LED	FSM1W
Shielding	
Flush Lens	FL
Pop-Down Lens	PD05
Lumen Output	
125 Lumens per foot (4' minimum length. Consult factory for Lutron, DALI)	125LF
250 Lumens per foot (3' minimum length)	250LF
375 Lumens per foot	375LF
500 Lumens per foot	500LF
625 Lumens per foot	625LF
Color Temperature	
3000K, 80CRI or 90 CRI	30K or 930K
3500K, 80CRI or 90 CRI	35K or 935K
4000K, 80CRI or 90 CRI	40K or 940K
3500K, Preferred Light	P35K
Circuit	1C
Single Circuit	1C
Voltage	
120/277 UNV Volt	UNV
347 Volt (LD1 driver only)	347
Control System & Dimming Level	
0-10V - 10% Dimming	LD1
0-10V - 1% Dimming	L11
Lutron Hi-Lume EcoSystem (LDE1) - 1% Dimming	LH1
Lutron 5-Series EcoSystem (LDE5) - 5% Dimming	LU5
DALI 1% Dimming	D11
Mounting	WM
Wall Mount	WM
Factory Options	
Emergency Circuit	_EC
Emergency Battery Pack (4' minimum length. See EM/EC Guide for default locations and ordering details.)	_EM
Finish	
Black	BK
Titanium Silver	TS
Matte White Housing	WH
Luminaire Length	ft in
Specify luminaire/row length in 1" increments	_ft _in
(2' minimum. Leave blank for patterns. Smaller increments available, consult factory.)	
Pattern Options (3' minimum length)	
'L' pattern	A' x B'
'U' pattern	A' x B' x C'
Rectangular pattern (Consult factory for other pattern options)	A' x B' R