

Seem® 1 Suspended

FSM1S | FSM1BS

PL Preferred Light
Experience BETTER COLOR



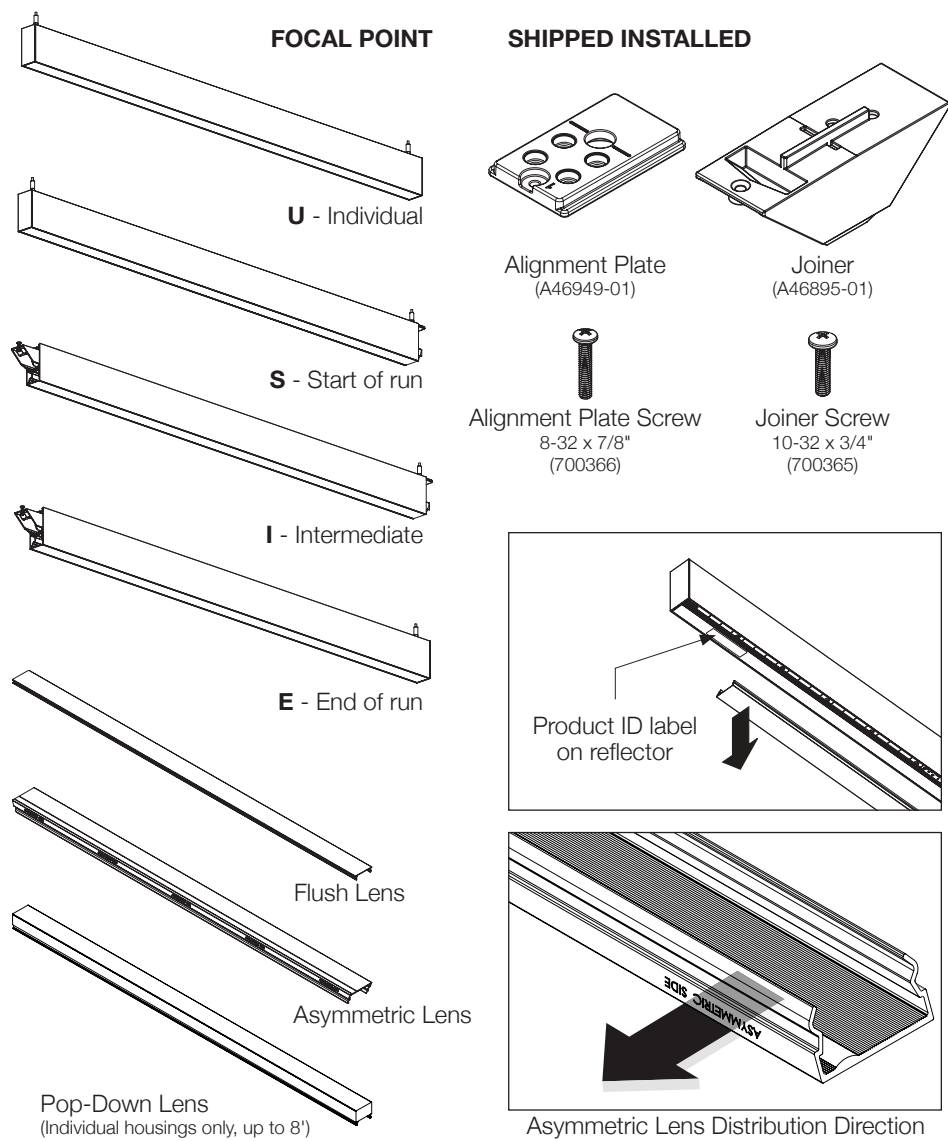
BEFORE YOU BEGIN

- Configurations are run specific, please consult factory drawings before beginning installation.
- Luminaires must be installed by a qualified electrician (check with local and national codes for proper installation).
- To prevent electrical shock, disconnect electrical supply before installation or servicing.
- Contractor is responsible for adequately reinforcing walls and/or ceilings to support fixture weight.
- Focal Point, LLC accepts no responsibility for inadequately reinforced walls and/or ceilings.
- The information contained in this drawing is the sole property of Focal Point, LLC. Any reproduction in part or whole without the written permission of Focal Point, LLC is prohibited.

INSTRUCTION KEY

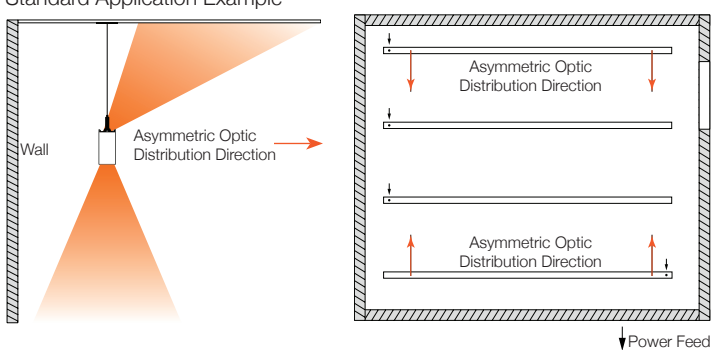
- ATTENTION
- SEE ADDITIONAL INSTRUCTIONS
- POWER OFF
- POWER ON

COMPONENT KEY

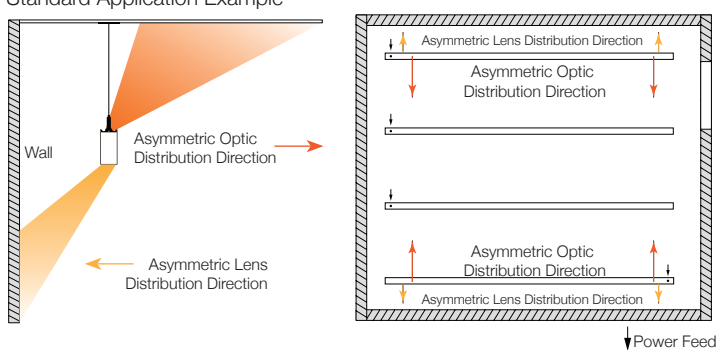


ASYMMETRIC DISTRIBUTIONS

INDIRECT ASYMMETRIC Standard Application Example



DIRECT/INDIRECT ASYMMETRIC Standard Application Example





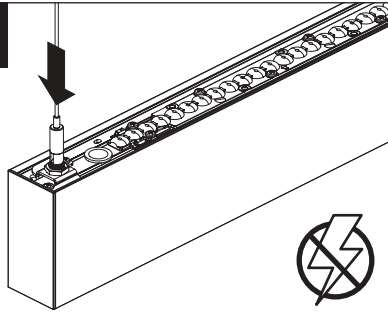
INDIVIDUAL INSTALLATIONS FOLLOW STEPS 1 & 2

1



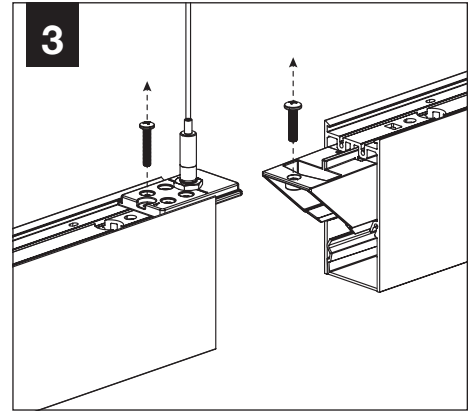
Follow Focal Point instructions for Universal Suspension System assembly.
See ISO166

2

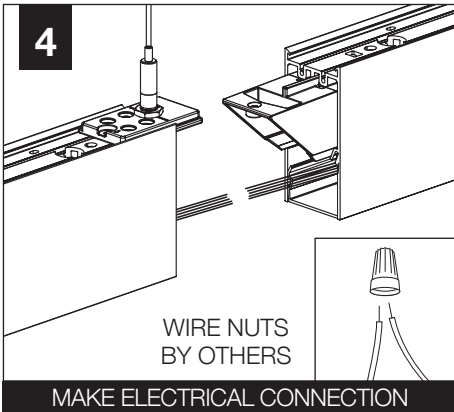


Two cable grippers each for individual and start, one for intermediate and end housings.

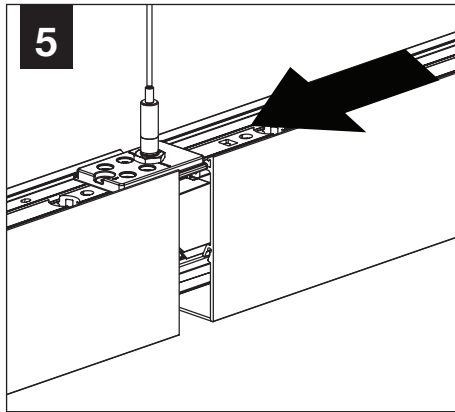
3



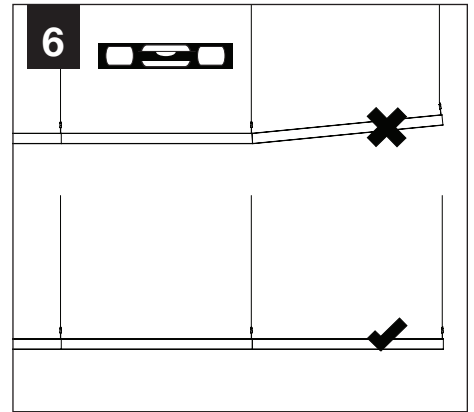
4



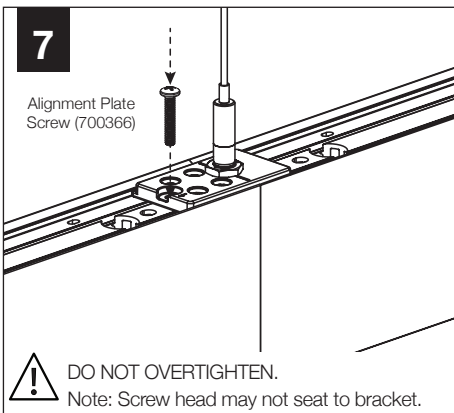
5



6

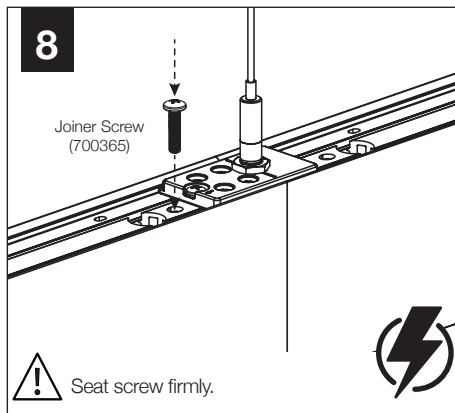


7



DO NOT OVERTIGHTEN.
Note: Screw head may not seat to bracket.

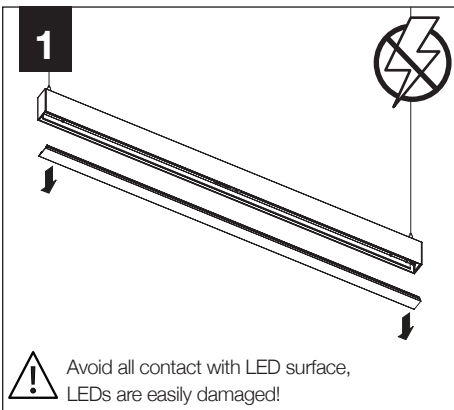
8



Seat screw firmly.

DRIVER SERVICE

1



2

