

# Seem® 1 Acoustic

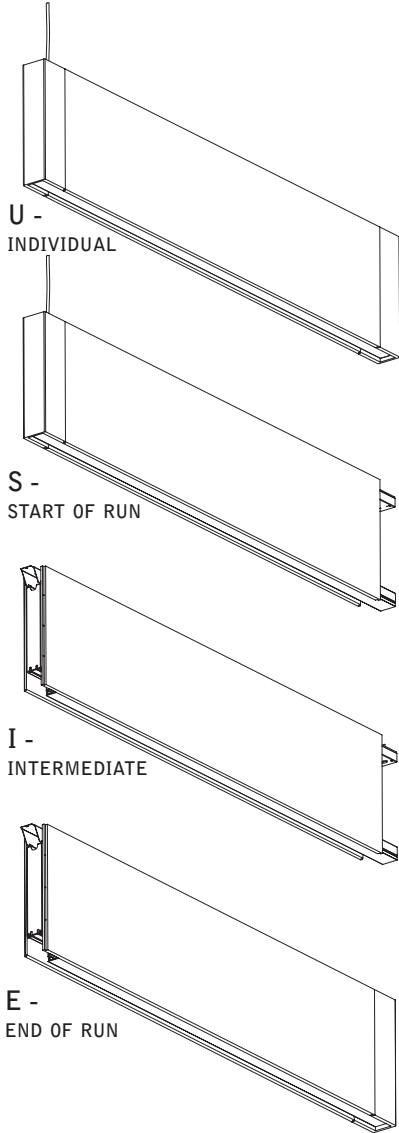
FSM1SA



FOCAL POINT®

**! CONFIGURATIONS ARE RUN SPECIFIC, PLEASE CONSULT FACTORY DRAWINGS BEFORE BEGINNING INSTALLATION. !**

## FOCAL POINT



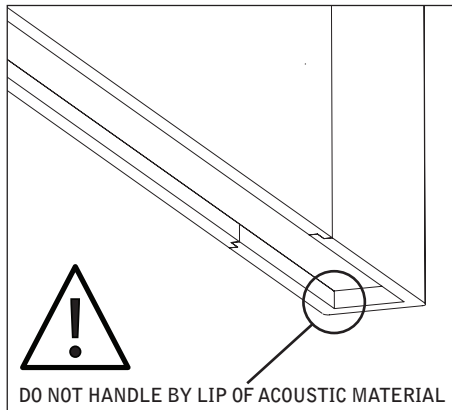
## KEY

- POWER OFF
- ATTENTION
- POWER ON
- SEE ADDITIONAL INSTRUCTIONS

**! #1 PHILIPS DRIVER BIT NECESSARY FOR INSTALLATION OF JOINED RUNS**

**! FOR DIFFERENT CEILING INSTALLATIONS SEE PAGES 3-5**

**! INDIVIDUAL INSALLATIONS FOLLOW STEPS 1-3, 12-15, 17**

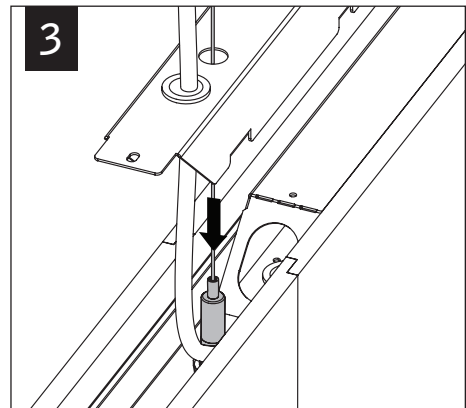
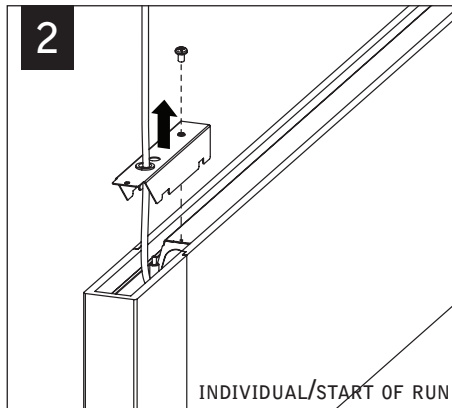


**1** FOLLOW FOCAL POINT INSTRUCTIONS FOR UNIVERSAL SUSPENSION SYSTEM ASSEMBLY. SEE IS0166

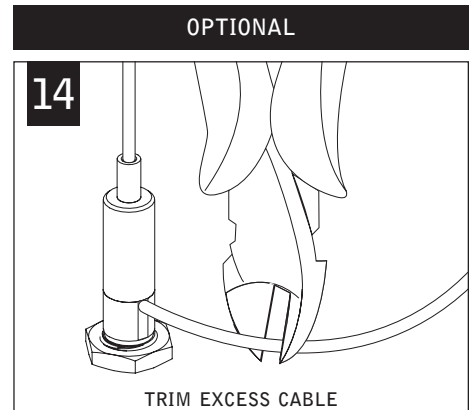
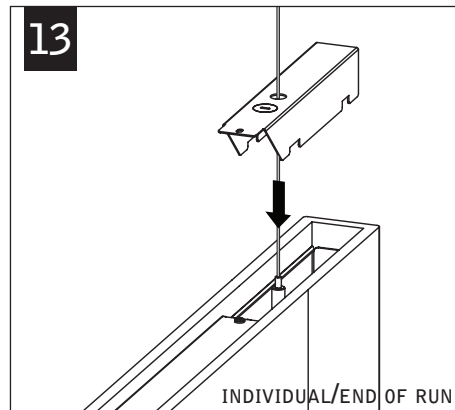
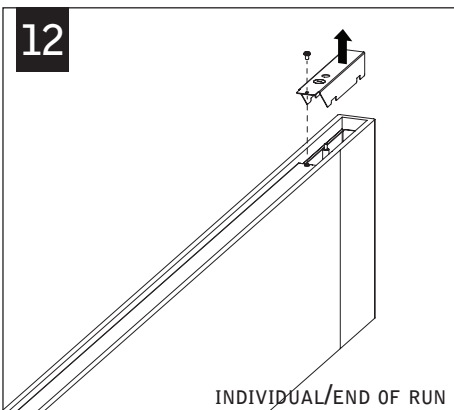
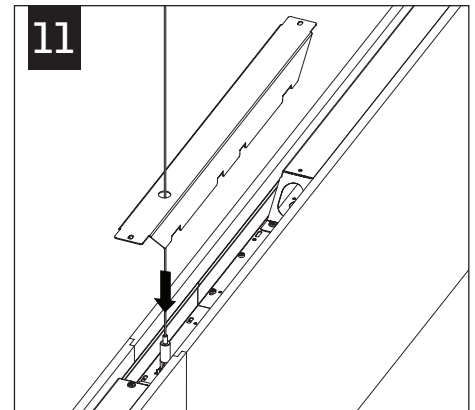
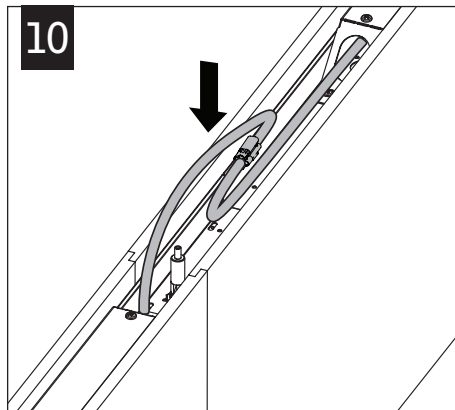
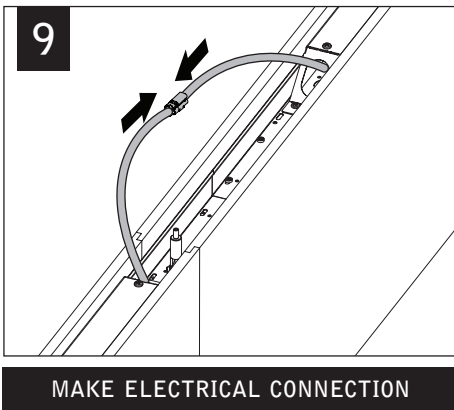
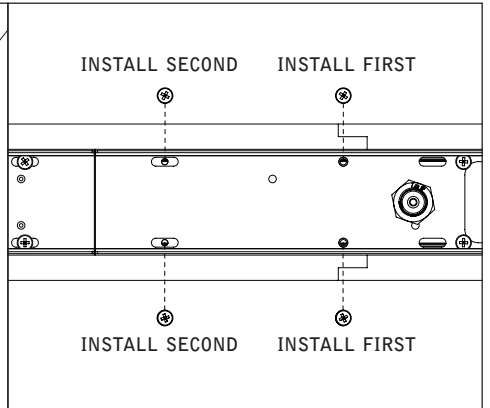
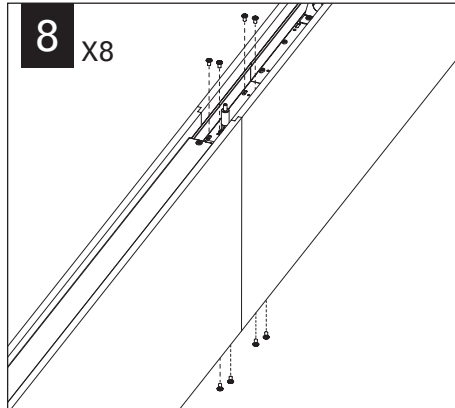
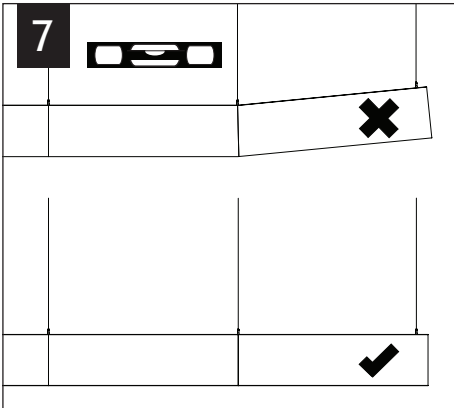
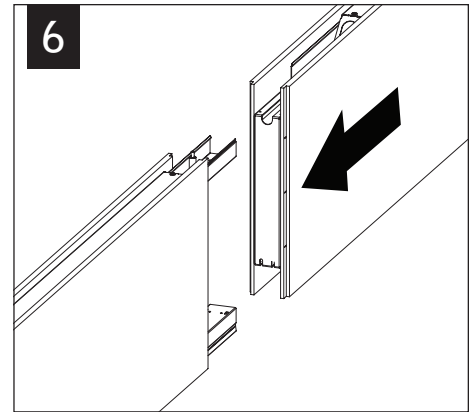
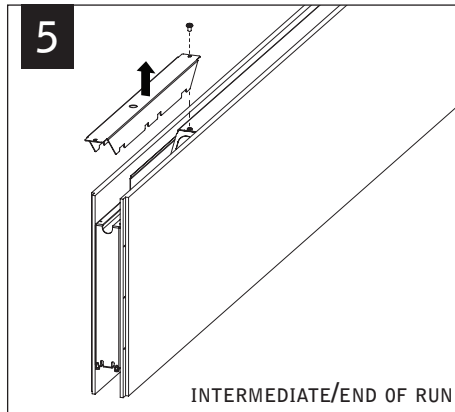
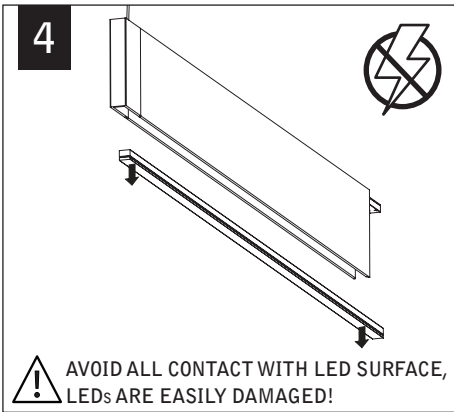
## PARTS LISTS

SHIPPED INSTALLED
ACCESS COVER SCREW (72026)

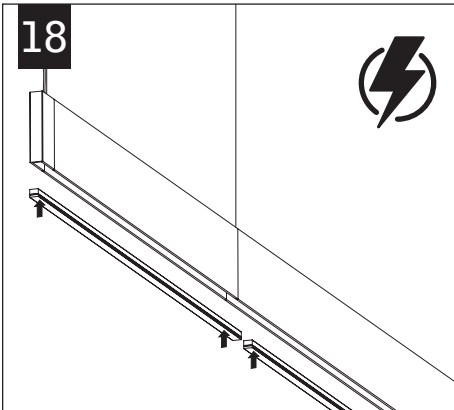
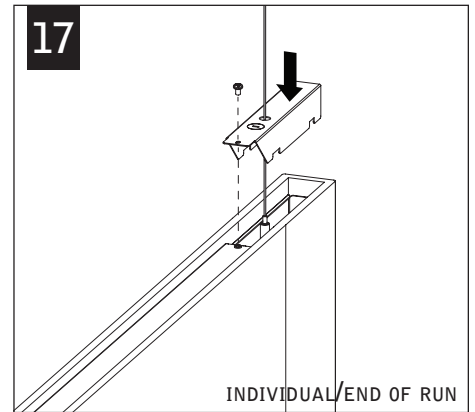
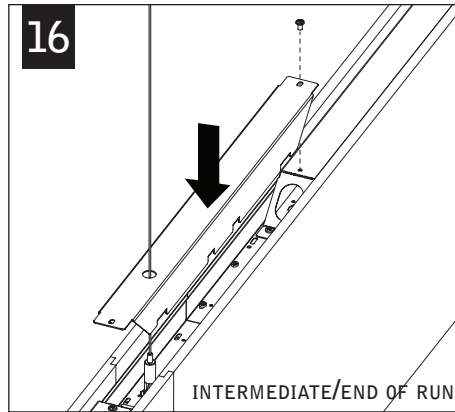
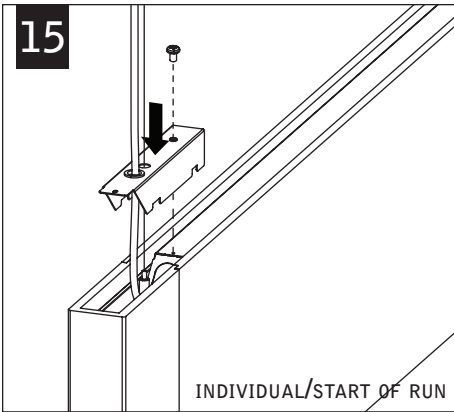
SHIPPED IN HARDWARE BAG
JOINER SCREW (700295)



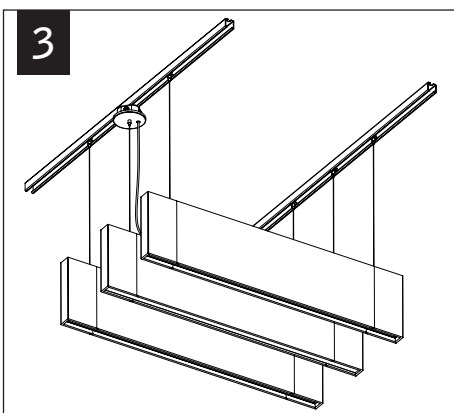
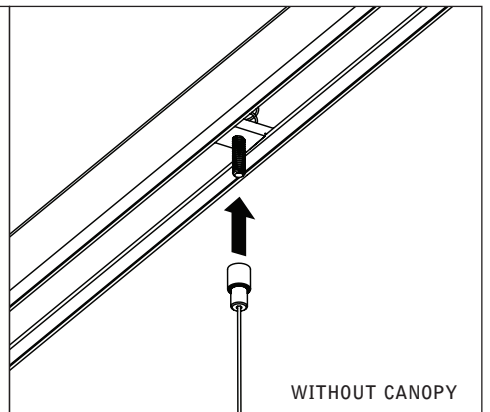
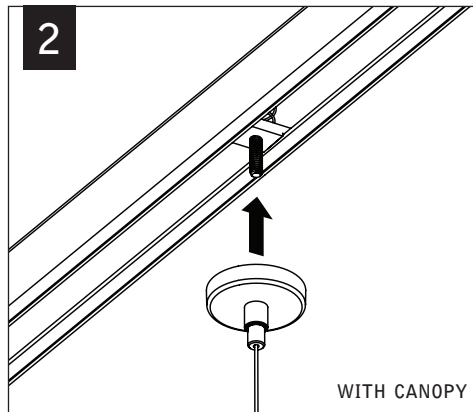
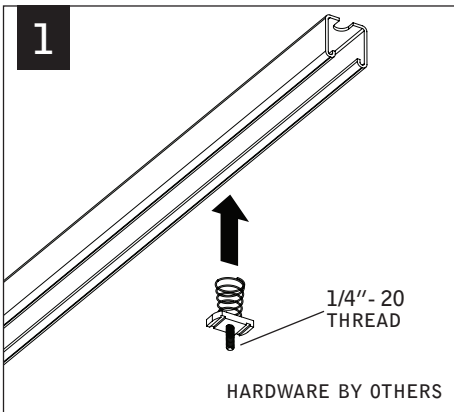
Luminaires must be installed by a qualified electrician (check with local and national codes for proper installation). To prevent electrical shock, disconnect electrical supply before installation or servicing.



Luminaires must be installed by a qualified electrician (check with local and national codes for proper installation).  
To prevent electrical shock, disconnect electrical supply before installation or servicing.

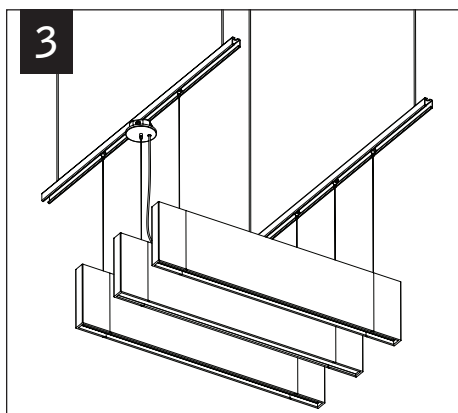
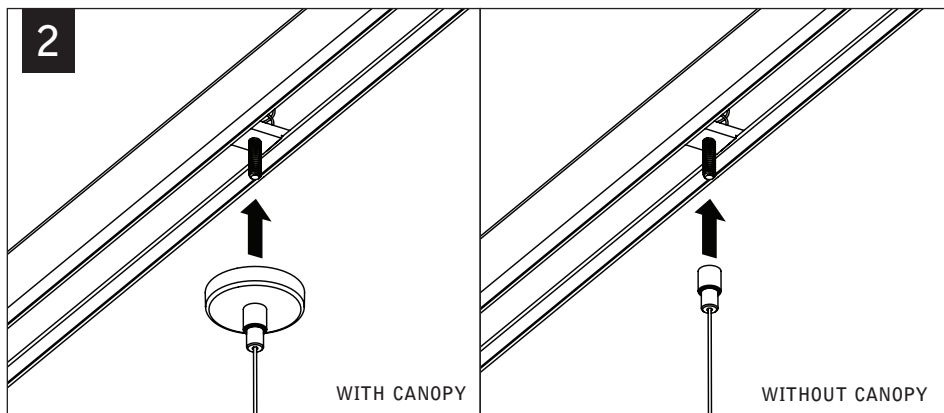
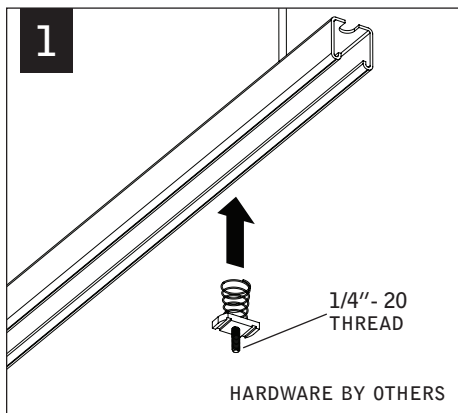


**CEILING STRUT INSTALLATION**

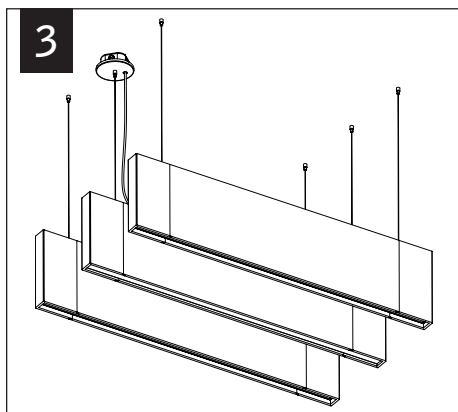
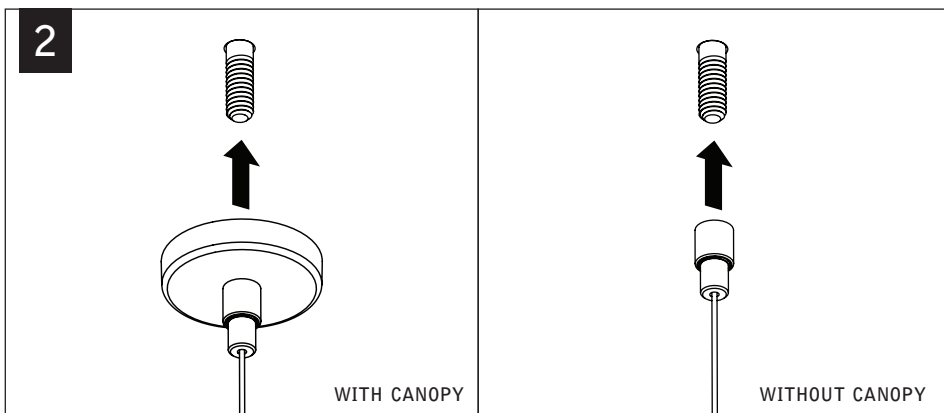
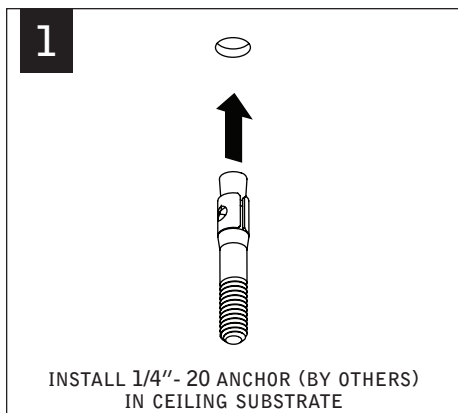


Luminaires must be installed by a qualified electrician (check with local and national codes for proper installation).  
To prevent electrical shock, disconnect electrical supply before installation or servicing.

## SUSPENDED CEILING STRUT INSTALLATION

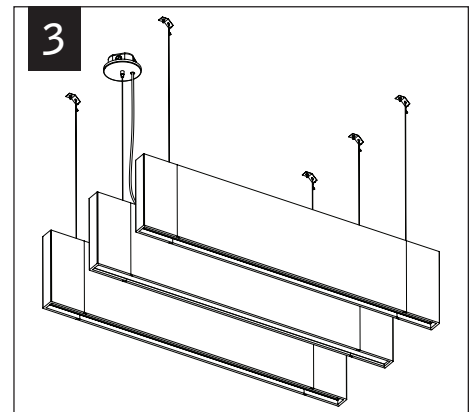
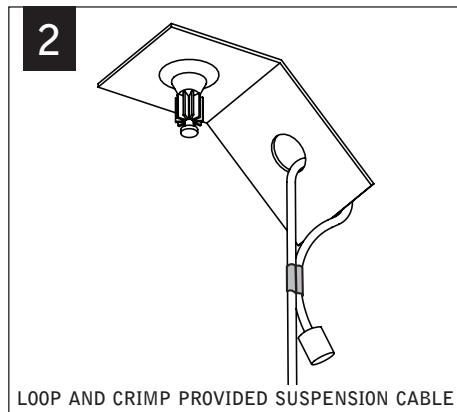
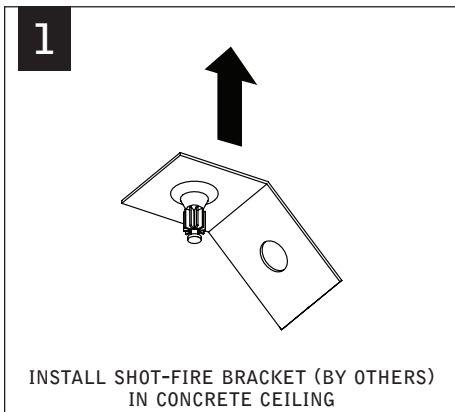


## DRYWALL/HARD SURFACE CEILING INSTALLATION

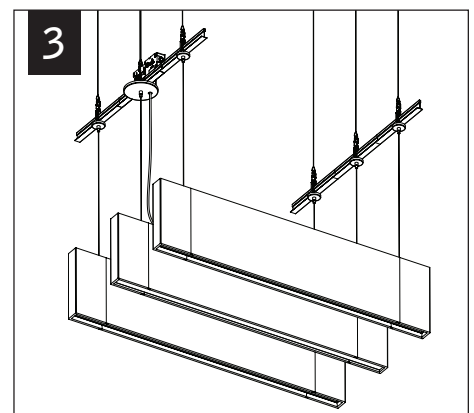
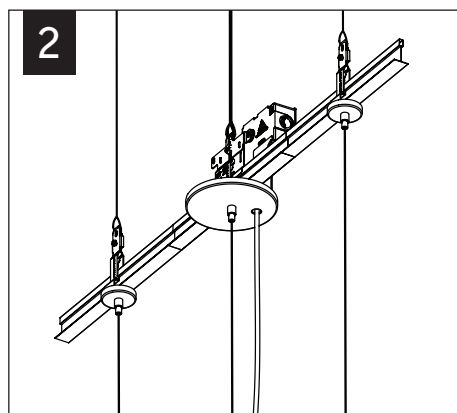
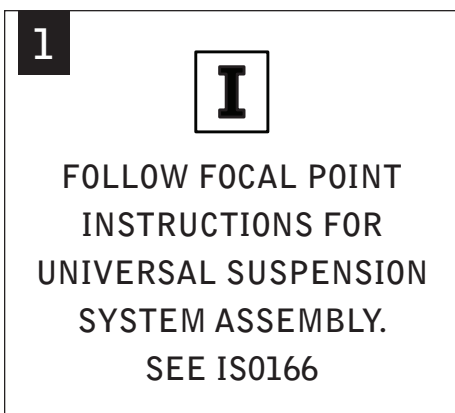


Luminaires must be installed by a qualified electrician (check with local and national codes for proper installation).  
To prevent electrical shock, disconnect electrical supply before installation or servicing.

## CONCRETE CEILING INSTALLATION



## GRID CEILING INSTALLATION



## DRIVER SERVICE



CONSULT FACTORY  
FOR DRIVER SERVICE

Contractor is responsible for adequately reinforcing walls and/or ceilings to support luminaire weight. Focal Point, LLC accepts no responsibility for inadequately reinforced walls and/or ceilings. The information contained in this drawing is the sole property of Focal Point, LLC. Any reproduction in part or whole without the written permission of Focal Point, LLC is prohibited.