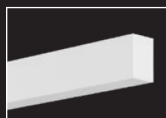


Seem[®] 1

LED INDIRECT ONLY



wall mount companion



recessed companion



wall to ceiling companion

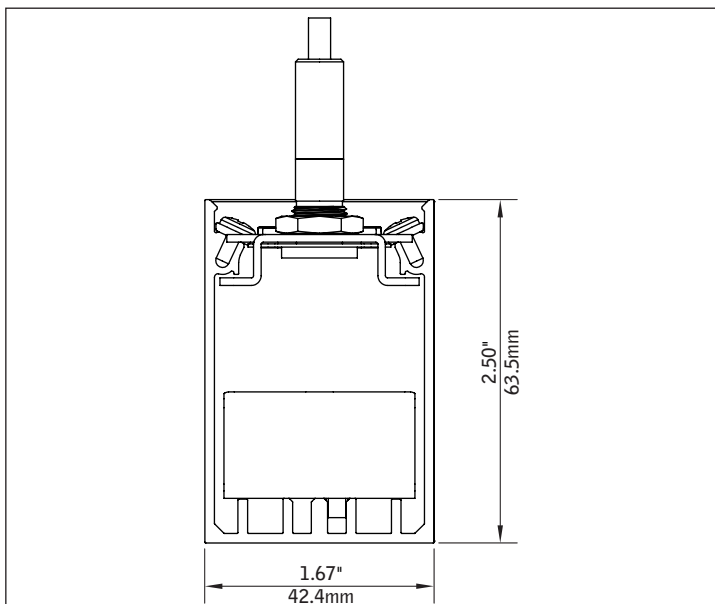


direct only flush lens companion

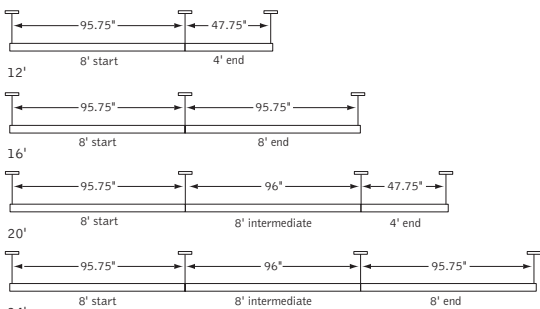


direct only pop-down lens companion

DIMENSIONAL DATA



Mounting Information



Consult factory for additional row length information.

FEATURES

Narrow extruded aluminum 1.5" linear indirect LED suspended luminaire.

Individual units and continuous runs in 1' increments.

Choice of output levels and light distributions to meet a wide variety of application needs.

Features Right Light lumen levels allowing lumen and wattage design flexibility.

Preferred Light: Lighting for better color rendition and human preference.

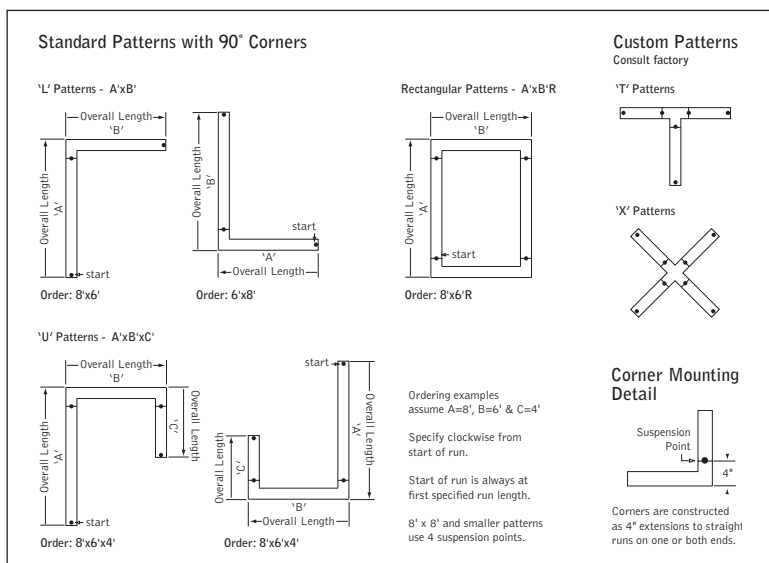
PoE compatible: Integrates with Power over Ethernet lighting systems via standard, low-voltage wires.

PERFORMANCE

4' Asymmetric Optic 625 Lumens per foot	4' Batwing Optic 625 Lumens per foot	4' Dust Cover 625 Lumens per foot
Total Lumen Output: 2500lm	Total Lumen Output: 2500lm	Total Lumen Output: 2500lm
Total System Watts: 19W	Total System Watts: 19W	Total System Watts: 18W

Photometric performance is measured in accordance with IESNA LM-79. Visit focalpointlights.com for complete photometric data.

DETAILS



SPECIFICATIONS

LED System

Proprietary linear LED module incorporates premium LEDs on a robust platform to achieve excellent thermal management. LEDs are placed to promote a uniform appearance. Available in 2700K, 3000K, 3500K or 4000K with both 80 and 90 CRI options. 3500K and 4000K with CRI>90 have a cyanosis observation index (COI) of 3.3 or less. LED modules and drivers are replaceable from above. Color accuracy <3 SDCM.

Construction

One piece extruded aluminum housing. Cast aluminum end caps. 8' unit weight: 12lbs.

Optic

Reflectors fabricated of 20 Ga. steel finished in Matte White powder coat.

Electrical

Luminaires are pre-wired with factory installed branch circuit wiring and over-molded quick connects. Standard 120-277V constant current driver includes 0-10V analog dimming. Power factor > .9. PoE compatible: Integrates with Power over Ethernet lighting systems via standard, low-voltage wires. PoE runs require an independent PoE node and power feed for each luminaire section.

Backup Battery / Auxillary Circuit

Backup battery output - 10 watts for 90 minutes. EM/EC options do not meet UL 924 requirements.

Labels

UL and cUL Listed. Suitable for Dry or Damp Locations, indoor use only.

Finish

Polyester powder coat applied over a multi-stage pre-treatment. Canopy and cord white as standard.

Lumen Maintenance

Reported: L70 at >61,000 hours Calculated: L70 at 470,000 hours
 L90 at >61,000 hours L90 at 115,000 hours

Derived from EPA TM-21 calculator. Based on typical conditions, consult factory for additional data.

Reliability

At Focal Point, our products are designed to stand the test of time. Each luminaire is engineered using superior components, manufactured with the utmost care and rigorously tested. Contact us for reliability data.

Warranty

LED system rated for operation in ambient environments up to 25°C. 5-year limited warranty.

4' PERFORMANCE CHART

See page 3.

ORDERING

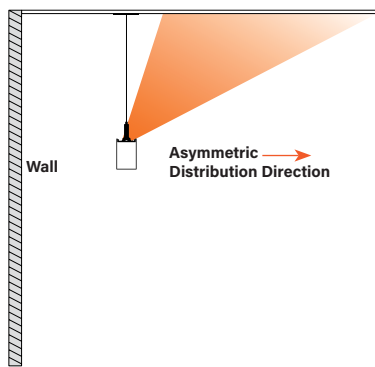
Luminaire Series	FSM1IS
Seem 1 LED Indirect	FSM1IS
Shielding	
Asymmetric Optic	AS
Batwing Optic	BW
Dust Cover	DC
Indirect Distribution	
250 Lumens per foot	250LF
375 Lumens per foot	375LF
500 Lumens per foot	500LF
625 Lumens per foot	625LF
800 Lumens per foot	800LF
1000 Lumens per foot	1000LF
1250 Lumens per foot	1250LF
Color Temperature	
2700K, 80+ CRI or 90+ CRI	27K or 927K
3000K, 80+ CRI or 90+ CRI	30K or 930K
3500K, 80+ CRI or 90+ CRI	35K or 935K
4000K, 80+ CRI or 90+ CRI	40K or 940K
3500K, Preferred Light	P35K
Circuits & Zones	
1 Circuit, non-emergency	1C
Consult Ordering Guide on page 4 for multiple circuiting and zoning options	_C_Z_DL
Voltage	
120/277 UNV Volt	UNV
347 Volt (LD1 driver only)	347
Low Voltage	LV
Control System & Dimming Level	
0-10V - 10% Dimming	LD1
0-10V - 1% Dimming	L11
Low Voltage, PoE compatible (No driver. Not available with EM or EC. LV Voltage only.)	LVN
Lutron Hi-Lume EcoSystem (LDE1) - 1% Dimming	LH1
DALI 1% Dimming (Not available with 1000LF or 1250LF)	D11
Mounting	
24" Cable Suspension	C24_
48" Cable Suspension	C48_
96" Cable Suspension (Specify canopy color White (WH), Black (BK) or Titanium Silver (TS). Example: C24WH.) (Specify one of the following in place of "C" J - for 2" canopies at non-feed locations. CS - for sloped ceiling applications.)	C96_
Factory Options (See Ordering Guide on page 4 for ordering details for DC, EC, EM & ECD.)	
Black Cord	BKCD
Daylight Circuit	_DC
Auxiliary Circuit	_EC
Backup Battery Pack†	_EM
Emergency Control Device†	_ECD
†(4' minimum. 120/277 Volt only. Does not meet UL 924.)	
Finish	
Black	BK
Titanium Silver	TS
Matte White Housing	WH
Luminaire Length	
Specify luminaire/row length in 1' increments (2' minimum. Leave blank for patterns. Smaller increments available, consult factory.)	X'
Pattern Options (2' minimum length)	
'L' pattern	A' x B'
'U' pattern	A' x B' x C'
Rectangular pattern (Consult factory for other pattern options)	A' x B' R

SEEM 1 INDIRECT SUSPENDED - 4' PERFORMANCE CHART

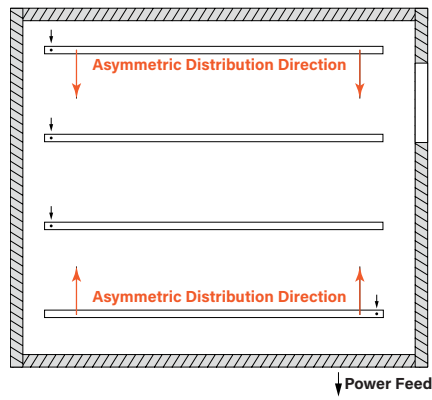
Lumens per Foot	Delivered Lumens	Asymmetric Optic		Batwing Optic		Dust Cover	
		Tested System Watts	LPW	Tested System Watts	LPW	Tested System Watts	LPW
250LF	1000	9	118	9	119	8	122
375LF	1500	12	126	12	127	12	130
500LF	2000	15	133	15	132	14	137
625LF	2500	19	135	19	135	18	140
800LF	3200	25	132	25	130	24	136
1000LF	4000	31	131	31	129	30	136
1250LF	5000	41	128	40	126	40	131

Based on 3500K, 80 CRI, 4' lengths. Lumen multipliers: Preferred Light = 0.65, 90 CRI = 0.87. Lumen output may vary +/- 5%. Actual wattage may vary +/- 5%.

INDIRECT ASYMMETRIC OPTIC



STANDARD APPLICATION EXAMPLE



Ordering Guide

Linear Circuitry, Zones & Factory Options

HOW TO USE THIS GUIDE

Fill out the worksheet on the following page to specify your requirements for circuitry, zones, and factory options.

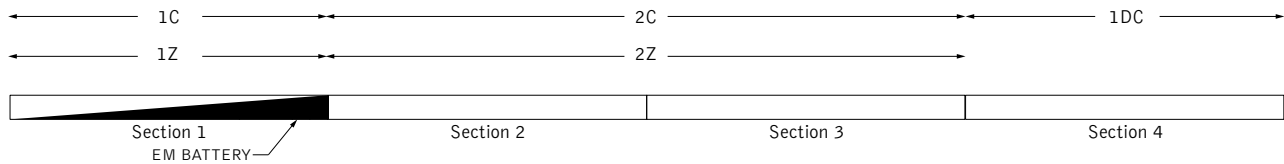
Refer to the run chart for standard run configurations, consult factory for custom configurations.

Complete the Totals / Ordering Codes at the bottom of the worksheet and add to your ordering logic on the cut sheet.

Submit the worksheet along with your order.

TOTAL RUN LENGTH: <u>32ft</u>		JOB NAME: _____			FIXTURE TYPE: _____			
HOUSING SECTION	SECTION LENGTH	SHARED ELECTRICAL FEED, NORMAL POWER			FACTORY OPTIONS			
		SWITCHING CIRCUIT	DIMMING ZONE	DAYLIGHT ZONE	SEPARATE ELECTRICAL FEEDS			EM
					DAYLIGHT CIRCUIT	AUXILIARY CIRCUIT	ECD	
1	8	1C	1Z					1EM
2	8	2C	2Z					
3	8	2C	2Z					
4	8				1DC			
Totals / Ordering Codes		2C	2Z		1DC			1EM

ORDERING: FSM1IS-DC-625LF-35K- **2C2Z** -UNV-LD1-C24WH- **1DC-1EM** -WH-32ft



KEY

C = Switching Circuit

Switched Hot / Shared Neutral

Z = Dimming Zone

Dimming Control Wires

DL = Daylight Zone

Daylight Dimming Control Wires

DC = Daylight Circuit

Switched Hot / Separate Neutral

EC = Auxiliary Circuit

Switched Hot / Separate Neutral

EM = Backup Battery Pack

Unswitched Hot / Shared Neutral

ECD = Emergency Control Device

Unswitched Hot / Separate Neutral

DEFAULTS

- Zones and Factory Options illuminate entire sections from 4' to 8' in length.
- One shared or isolated circuit and zone required per housing section.
- Limit of one EM or ECD per housing section.
- Additional electrical feed required for applications greater than three shared circuits and zones.
- Each DC, EC and ECD require an additional electrical feed.
- ECD not available in the same housing section as EC.
- Longer lead times and additional pricing may apply for custom run configurations.

CUSTOM LENGTHS

- If partial illumination of emergency or daylight section is required, indicate in ordering guide and add "partial illumination" in Order Notes. Drawing required.
- Engineering validation required, longer lead times may apply.

Ordering Guide Worksheet

Linear Circuitry, Zones & Factory Options

TOTAL RUN LENGTH: _____		JOB NAME: _____			FIXTURE TYPE: _____			
HOUSING SECTION	SECTION LENGTH	SHARED ELECTRICAL FEED, NORMAL POWER			FACTORY OPTIONS			
		SWITCHING CIRCUIT	DIMMING ZONE	DAYLIGHT ZONE	SEPARATE ELECTRICAL FEEDS			EM
DAYLIGHT CIRCUIT	AUXILIARY CIRCUIT				ECD			
1								
2								
3								
4								
5								
6								
7								
8								
9								
10								
11								
12								
13								
14								
15								
16								
17								
18								
19								
20								
Totals / Ordering Codes								

WORKSHEET

Combine to create Circuits & Zones ordering code

Enter as individual Factory Options

RUN CHART

Run length (ft)	Housing Configuration Section Lengths	Run length (ft)	Housing Configuration Section Lengths	Run length (ft)	Housing Configuration Section Lengths	Run length (ft)	Housing Configuration Section Lengths
9	5 + 4	21	8 + 8 + 5	33	8 + 8 + 8 + 5 + 4	45	8 + 8 + 8 + 8 + 8 + 5
10	6 + 4	22	8 + 8 + 6	34	8 + 8 + 8 + 6 + 4	46	8 + 8 + 8 + 8 + 8 + 6
11	7 + 4	23	8 + 8 + 7	35	8 + 8 + 8 + 7 + 4	47	8 + 8 + 8 + 8 + 8 + 7
12	8 + 4	24	8 + 8 + 8	36	8 + 8 + 8 + 8 + 4	48	8 + 8 + 8 + 8 + 8 + 8
13	8 + 5	25	8 + 8 + 5 + 4	37	8 + 8 + 8 + 8 + 5		
14	8 + 6	26	8 + 8 + 6 + 4	38	8 + 8 + 8 + 8 + 6		
15	8 + 7	27	8 + 8 + 7 + 4	39	8 + 8 + 8 + 8 + 7		
16	8 + 8	28	8 + 8 + 8 + 4	40	8 + 8 + 8 + 8 + 8		
17	8 + 5 + 4	29	8 + 8 + 8 + 5	41	8 + 8 + 8 + 8 + 5 + 4		
18	8 + 6 + 4	30	8 + 8 + 8 + 6	42	8 + 8 + 8 + 8 + 6 + 4		
19	8 + 7 + 4	31	8 + 8 + 8 + 7	43	8 + 8 + 8 + 8 + 7 + 4		
20	8 + 8 + 4	32	8 + 8 + 8 + 8	44	8 + 8 + 8 + 8 + 8 + 4		

Standard run configurations, consult factory for custom configurations.