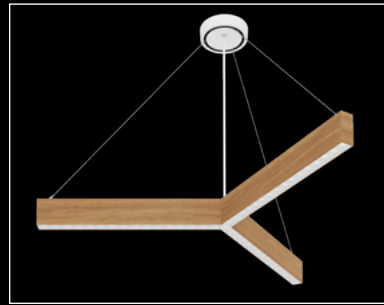
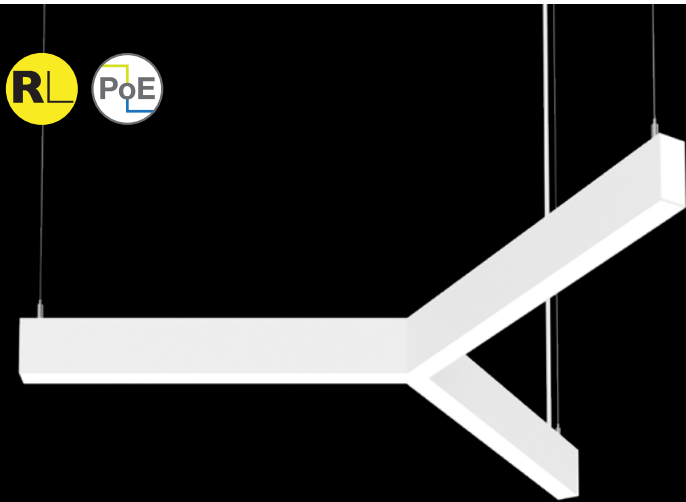
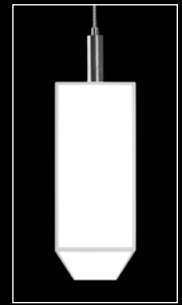


Seem® 1 Trio

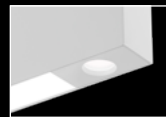
LED DIRECT PENDANT



The Naturals Collection - Chestnut with Clear Specular louver shown



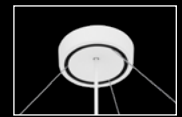
Lit end cap detail



Point Source ends detail

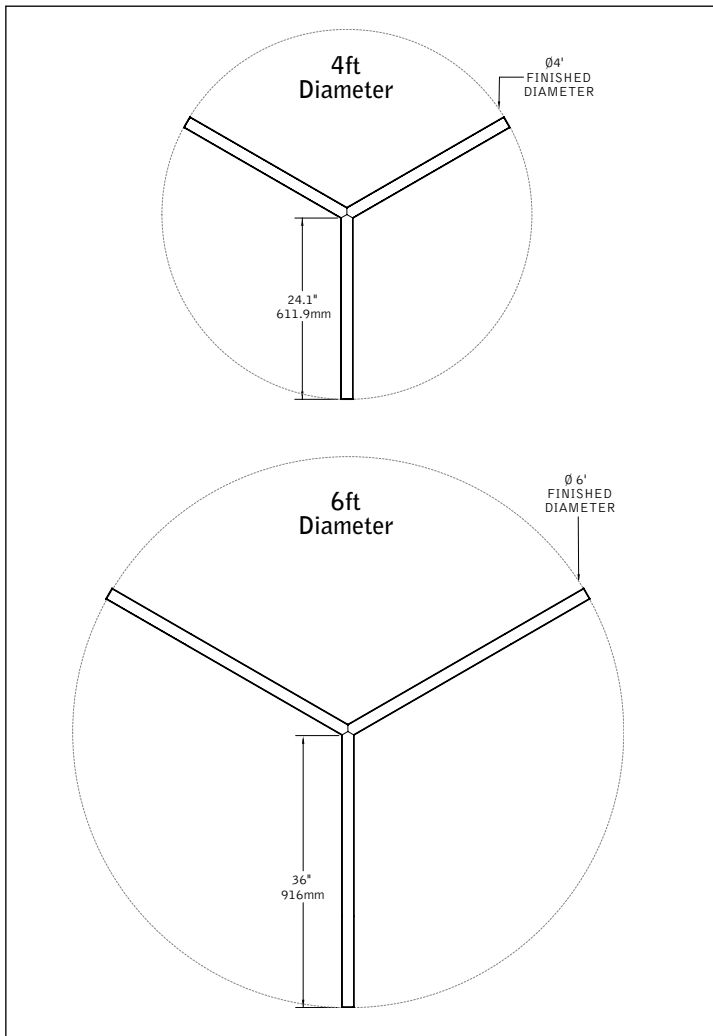


louver detail



Single point canopy detail

DIMENSIONAL DATA



FEATURES

Narrow 1.5" extruded aluminum 'Y' shaped recessed LED luminaire with multiple shielding options.

Individual 4' or 6' diameter units in lens, louver or integrated point source downlight configurations.

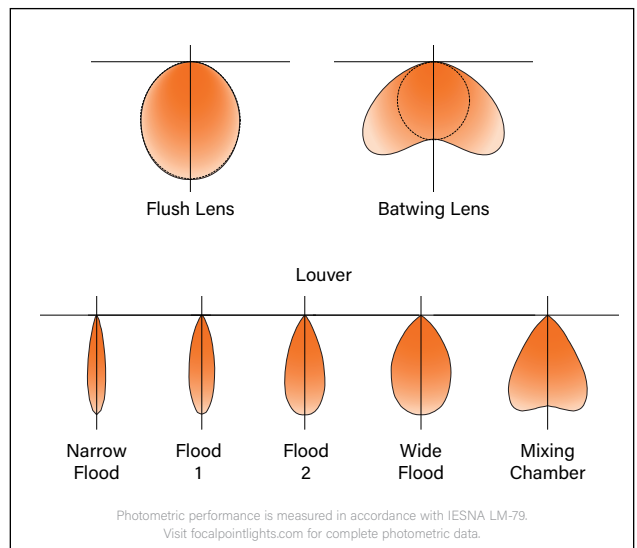
Deeply regressed louver cells provide 60° cut-off from light source to promote visual comfort.

Choice of point source downlight output levels to meet a wide variety of application needs.

PoE compatible: Integrates with Power over Ethernet lighting systems via standard, low-voltage wires.

Available with The Naturals, a series of finishes that exude biophilic beauty.

DISTRIBUTIONS

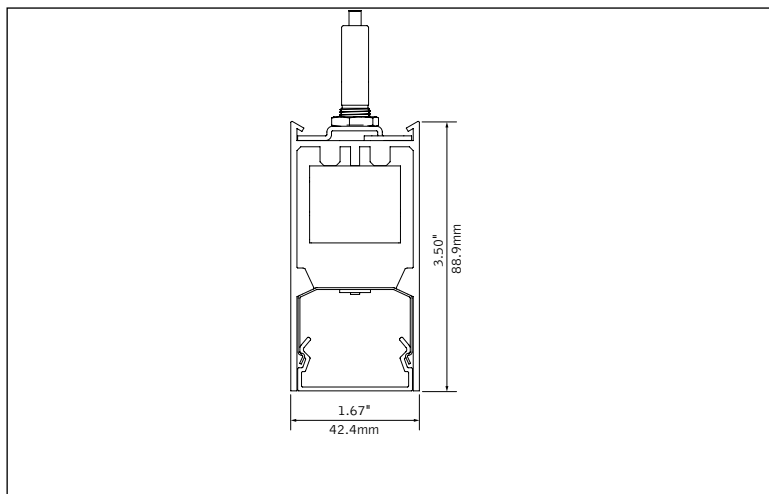


Photometric performance is measured in accordance with IESNA LM-79. Visit focalpointlights.com for complete photometric data.

fixture:

project:

STANDARD LENS DIMENSIONAL DATA

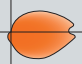


STANDARD LENS PERFORMANCE CHART

Size	Lumen Output	Tested System Watts	BW		FL	
			Delivered lumens	LPW	Delivered lumens	LPW
4'	750	9	810	87	767	92
	1500	15	1586	97	1503	102
	2250	23	2363	97	2240	103
	3000	30	3183	99	3017	105
	3750	37	3959	101	3753	106
6'	1125	12	1198	99	1135	93
	2250	23	2363	103	2240	97
	3375	34	3571	106	3385	100
	4500	44	4736	108	4489	103
	5625	55	5944	109	5634	103

Based on 3500K. Lumen multipliers: 90 CRI = 0.87. Delivered lumens may vary +/- 5%. Actual wattage may vary +/- 5%

LIT END CAP PERFORMANCE CHART

Lumen Output		Delivered Lumens Per End Cap	
4'	6'		
750	1125	47	
1500	2250	141	
2250	3375	188	
3000	4500	281	
3750	5625	328	

Based on 3500K. Lumen multipliers: 90 CRI = 0.87. Delivered lumens may vary +/- 5%. Actual wattage may vary +/- 5%

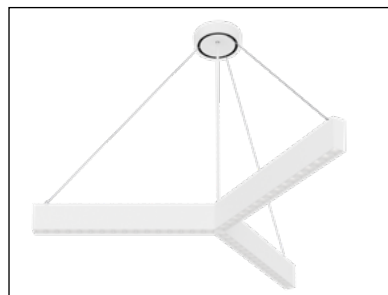
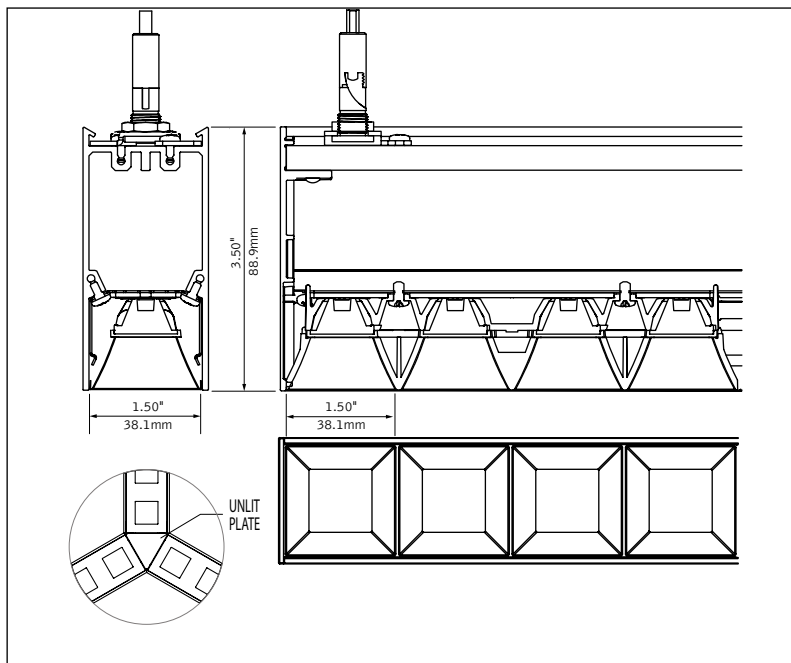
STANDARD LENS ORDERING

Luminaire Series		FSM1FP
Seem 1 Pendant	FSM1FP	
Profile		T
Trio	T	
Nominal Size		
4' Diameter (2' arms)	4	
6' Diameter (3' arms)	6	
Shielding		
Batwing Lens	BW	
Flush Lens	FL	
Lumen Output		
4' Diameter	750 Lumens	750L
	1500 Lumens	1500L
	2250 Lumens	2250L
	3000 Lumens	3000L
	3750 Lumens	3750L
6' Diameter	1125 Lumens	1125L
	2250 Lumens	2250L
	3375 Lumens	3375L
	4500 Lumens	4500L
	5625 Lumens	5625L
Color Temperature		
2700K, 80+ CRI or 90+ CRI	27K or 927K	
3000K, 80+ CRI or 90+ CRI	30K or 930K	
3500K, 80+ CRI or 90+ CRI	35K or 935K	
4000K, 80+ CRI or 90+ CRI	40K or 940K	
Circuits		1C
Single Circuit	1C	
Voltage		
120/277 UNV Volt	UNV	
347 Volt (LD1 driver only)	347	
Low Voltage	LV	
Control System & Dimming Level		
0-10V - 10% Dimming	LD1	
0-10V - 1% Dimming	L11	
Low Voltage, PoE compatible <small>(No driver. Not available with EM or EC. LV Voltage only.)</small>	LVN	
Lutron Hi-Lume EcoSystem (LDE1) -		
1% Dimming	LH1	
DALI 1% Dimming	D11	
Mounting		
<small>(Specify canopy color, see finishes page for options. The Naturals available with Multi-point suspension only. Example: White = J24WH.)</small>		
48" Cable Single Suspension <small>(Power cord at intersection CC or power cord at end CE)</small>	CC48__ or CE48__	
96" Cable Single Suspension <small>(Power cord at intersection CC or power cord at end CE)</small>	CC96__ or CE96__	
24" Cable Multi-point Suspension	J24__	
48" Cable Multi-point Suspension	J48__	
96" Cable Multi-point Suspension <small>(Consult factory for sloped ceiling applications.)</small>	J96__	
Surface Mount	SM	
Factory Options		
Black Cord	BKCD	
Lit End Caps <small>(FL shielding only. Not available with The Naturals. Not recommended with Black housing.)</small>	LE	
Emergency Circuit	EC	
Emergency Battery Pack (120/277 Volt only)	EM	
Housing Finish <small>(See finishes page for The Naturals options)</small>		
Matte Black	BK	
Titanium Silver	TS	
Matte White	WH	

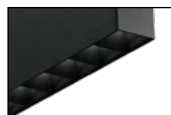
fixture:

project:

LOUVER DIMENSIONAL DATA



4' Single Canopy, Matte White housing and louver



Black Specular Louver



Matte Black Louver



Matte White Louver



Clear Diffuse Louver



Center detail



Emergency detail



Clear Specular Louver

LOUVER DISTRIBUTIONS

	NFL	FL1	FL2	WFL	LMC
Beam Spread	20°	29°	43°	67°	68°
Spacing Criteria	0.36	0.50	0.70	0.98	1.18

PERFORMANCE CHART

See page 6

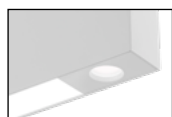
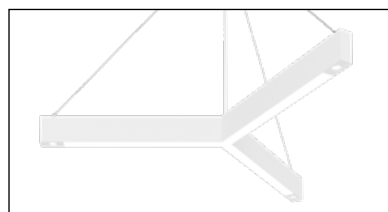
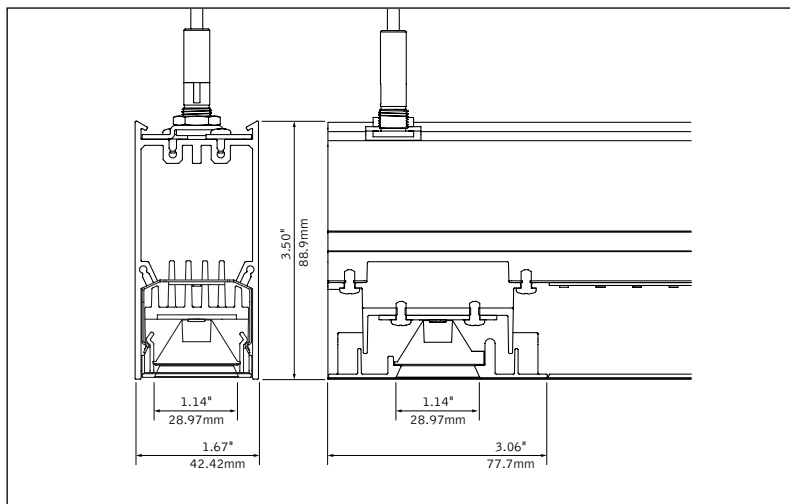
LOUVER ORDERING

	Luminaire Series	FSM1FP
	Seem 1 Pendant	FSM1FP
	Profile	T
	Trio	T
	Nominal Size	
	4' Diameter (2' arms)	4
	6' Diameter (3' arms)	6
	Shielding	LC
	Louver only	LC
	Lumen Output	
4' Diameter	1500 Lumens	1500L
	2250 Lumens	2250L
	3000 Lumens	3000L
	3750 Lumens	3750L
	4500 Lumens	4500L
	6000 Lumens	6000L
6' Diameter	2250 Lumens	2250L
	3375 Lumens	3375L
	4500 Lumens	4500L
	5625 Lumens	5625L
	4500 Lumens	4500L
	9000 Lumens	9000L
	Color Temperature	
	2700K, 80+ CRI or 90+ CRI	27K or 927K
	3000K, 80+ CRI or 90+ CRI	30K or 930K
	3500K, 80+ CRI or 90+ CRI	35K or 935K
	4000K, 80+ CRI or 90+ CRI	40K or 940K
	Circuits	1C
	Single Circuit	1C
	Voltage	
	120/277 UNV Volt	UNV
	347 Volt (LD1 driver only)	347
	Low Voltage	LV
	Control System & Dimming Level	
	0-10V - 10% Dimming	LD1
	0-10V - 1% Dimming	L11
	Low Voltage, PoE compatible <small>(No driver. Not available with EM or EC. LV Voltage only)</small>	LVN
	Lutron Hi-Lume EcoSystem (LDE1) - 1% Dimming	LH1
	DALI 1% Dimming	D11
	Mounting <small>(Specify canopy color, see finishes page for options. The Naturals available with Multi-point suspension only. Example: White = J24WH.)</small>	
	48" Cable Single Suspension	CC48_ or CE48_
	<small>(Power cord at intersection CC or power cord at end CE)</small>	
	96" Cable Single Suspension	CC96_ or CE96_
	<small>(Power cord at intersection CC or power cord at end CE)</small>	
	24" Cable Multi-point Suspension	J24_
	48" Cable Multi-point Suspension	J48_
	96" Cable Multi-point Suspension	J96_
	<small>(Consult factory for sloped ceiling applications.)</small>	
	Surface Mount	SM
	Louver Distribution	
	Narrow Flood	NFL
	Flood 1	FL1
	Flood 2	FL2
	Wide Flood	WFL
	Louvered Mixing Chamber	LMC
	Factory Options	
	Black Cord	BKCD
	Emergency Circuit	EC
	Emergency Battery Pack (120/277 Volt only)	EM
	Louver Finish	
	Matte Black	BK
	Black Specular	BS
	Clear Diffuse	CD
	Clear Specular	CS
	Matte White	WH
	Housing & Faceplate Finish <small>(See finishes page for The Naturals options)</small>	
	Matte Black	BK
	Titanium Silver	TS
	Matte White	WH

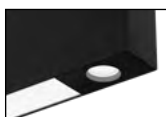
fixture:

project:

POINT SOURCE DIMENSIONAL DATA



Matte White



Matte Black

PERFORMANCE CHART (LENSED AREA)

Size	Lumen Output	Tested System Watts	BW		FL	
			Delivered lumens	LPW	Delivered lumens	LPW
4'	660	8	680	89	645	84
	1320	14	1414	101	1340	96
	1980	20	2104	105	1994	100
	2640	27	2794	104	2648	99
	3300	33	3485	105	3303	100
6'	1035	11	1112	97	1054	92
	2070	21	2190	106	2076	100
	3105	31	3269	105	3098	100
	4140	41	4347	106	4121	101
	5175	50	5469	109	5184	103

Based on 3500K. Lumen multipliers: 90 CRI = 0.87. Delivered lumens may vary +/- 5%. Actual wattage may vary +/- 5%

PERFORMANCE CHART (POINT SOURCE)

Distribution	Beamspread	Point Source Lumens	Delivered Lumens	Tested Watts	LPW
Narrow Flood (NFL)	21°	250L	258	3.4	76.9
		350L	360	4.5	79.6
		450L	457	5.7	80.5
Flood 1 (FL1)	28°	250L	254	3.4	75.6
		350L	354	4.5	78.3
		450L	450	5.7	79.2
Flood 2 (FL2)	42°	250L	249	3.4	74.1
		350L	346	4.5	76.7
		450L	441	5.7	77.5
Wide Flood (WFL)	53°	250L	242	3.4	72.1
		350L	337	4.5	74.6
		450L	429	5.7	75.5

Based on 3500K. Lumen output may vary +/- 5%. Actual wattage may vary +/- 5%

Focal Point LLC reserves the right to change specifications for product improvement without notification.

POINT SOURCE ORDERING

Luminaire Series		FSM1FP
Seem 1 Pendant	FSM1FP	
Profile		T
Trio	T	
Nominal Size		
4' Diameter (2' arms)	4	
6' Diameter (3' arms)	6	
Shielding		
Batwing Lens + Point Source Ends	BWPSE	
Flush Lens + Point Source Ends	FLPSE	
Point Source Lumens		
250 Lumens	250L	
350 Lumens	350L	
450 Lumens	450L	
Point Source Distribution		
Narrow Flood	NFL	
Flood 1	FL1	
Flood 2	FL2	
Wide Flood	WFL	
Lensed Lumen Output		
4' Diameter	660 Lumens	660L
	1320 Lumens	1320L
	1980 Lumens	1980L
	2640 Lumens	2640L
	3300 Lumens	3300L
6' Diameter	1035 Lumens	1035L
	2070 Lumens	2070L
	3105 Lumens	3105L
	4140 Lumens	4140L
	5175 Lumens	5175L
Color Temperature		
2700K, 80+ CRI or 90+ CRI	27K or 927K	
3000K, 80+ CRI or 90+ CRI	30K or 930K	
3500K, 80+ CRI or 90+ CRI	35K or 935K	
4000K, 80+ CRI or 90+ CRI	40K or 940K	
Circuits		
Single Circuit	1C	
Dual Circuit	2C	
<small>(Independent control of Lens & Point Source distributions)</small>		
Voltage		
120/277 UNV Volt	UNV	
347 Volt (LD1 driver only)	347	
Low Voltage	LV	
Control System & Dimming Level		
0-10V - 10% Dimming	LD1	
0-10V - 1% Dimming	L11	
Low Voltage, PoE compatible <small>(No driver. Not available with EM or EC. LV Voltage only.)</small>	LVN	
Lutron Hi-Lume EcoSystem (LDE1) - 1% Dimming	LH1	
DALI 1% Dimming	D11	
Mounting		
<small>(Specify canopy color, see finishes page for options. The Naturals available with Multi-point suspension only. Example: White = J24WH.)</small>		
48" Cable Single Suspension	CC48__ or CE48__	
<small>(Power cord at intersection CC or power cord at end CE)</small>		
96" Cable Single Suspension	CC96__ or CE96__	
<small>(Power cord at intersection CC or power cord at end CE)</small>		
24" Cable Multi-point Suspension	J24__	
48" Cable Multi-point Suspension	J48__	
96" Cable Multi-point Suspension	J96__	
<small>(Consult factory for sloped ceiling applications.)</small>		
Surface Mount	SM	
Factory Options		
Black Cord	BKCD	
Emergency Circuit	EC	
Emergency Battery Pack (120/277 Volt only)	EM	
Housing & Faceplate Finish		
Matte Black	BK	
Titanium Silver	TS	
Matte White	WH	

SPECIFICATIONS

LED System

Proprietary linear LED module incorporates premium LEDs on a robust platform to achieve excellent thermal management. LEDs are placed to promote a uniform appearance. Available in 2700K, 3000K, 3500K or 4000K with both 80 and 90 CRI options. 3500K and 4000K with CRI>90 have a cyanosis observation index (COI) of 3.3 or less. LED modules and drivers are replaceable from below. Color accuracy <3 SDCM.

Construction

Extruded aluminum housing. Cast aluminum end caps. Luminaire will not exceed 16lbs.

Optic

Reflectors fabricated of 22 Ga. steel finished in High Reflectance White powder coat. Extruded acrylic lens .07" thick with frosted finish. 60-degree cut-off to louvered light source and its image.

Electrical

Luminaires are pre-wired with factory installed branch circuit wiring and over-molded quick connects. Standard 120-277V constant current driver includes 0-10V analog dimming. Power factor > .9. PoE compatible: Integrates with Power over Ethernet lighting systems via standard, low-voltage wires. PoE runs require an independent PoE node and power feed for each luminaire section.

Emergency Battery

Emergency output - 10 watts for 90 minutes. Maximum mounting height: 18.5ft.

Labels

UL and cUL listed. Suitable for Dry or Damp Locations, indoor use only.

Finish

Polyester powder coat applied over a multi-stage pre-treatment. Canopy and cord white as standard. The Naturals: 100% low VOC vinyl.

Lumen Maintenance

Lensed Source

Reported: L70 at >61,000 hours	Calculated: L70 at 470,000 hours
L90 at >61,000 hours	L90 at 115,000 hours

Louvered Sources

Reported: L70 at >54,000 hours	Calculated: L70 at 138,000 hours
L90 at 43,000 hours	L90 at 43,000 hours

Point Sources

Reported: L70 at >55,000 hours	Calculated: L70 at 226,000 hours
L90 at 54,000 hours	L90 at 54,000 hours

Derived from EPA TM-21 calculator. Based on typical conditions, consult factory for additional data.

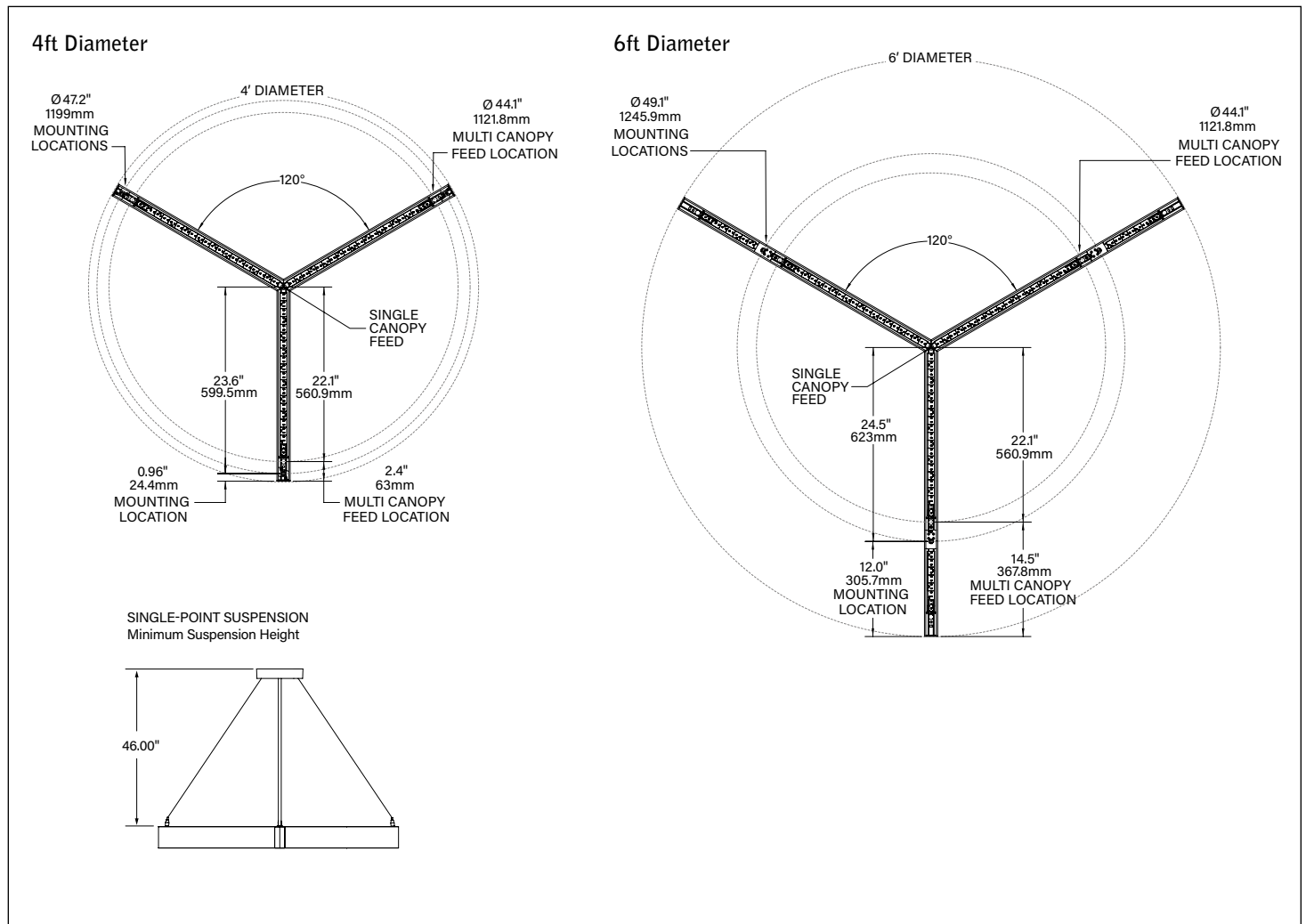
Reliability

At Focal Point, our products are designed to stand the test of time. Each luminaire is engineered using superior components, manufactured with the utmost care and rigorously tested. Contact us for reliability data.

Warranty

LED system rated for operation in ambient environments up to 25°C. 5-year limited warranty.

MOUNTING DETAILS



LOUVERED PERFORMANCE CHART

Size	Lumen Output	Tested System Watts	NFL		FL1		FL2		WFL		LMC	
			Delivered Lumens	LPW	Delivered Lumens	LPW	Delivered Lumens	LPW	Delivered Lumens	LPW	Delivered Lumens	LPW
4'	1500	15.4	2028	132	1726	112	1830	119	1509	98	1460	95
	2250	21.0	2999	143	2552	122	2707	129	2233	106	2159	103
	3000	29.0	4134	142	3518	121	3732	129	3078	106	2977	103
	3750	35.5	5170	146	4400	124	4667	131	3849	108	3722	105
	4500	41.5	6110	147	5200	125	5515	133	4548	110	4399	106
	5250	47.4	7041	149	5992	127	6355	134	5241	111	5069	107
	6000	53.8	8046	150	6847	127	7263	135	5990	111	5793	108
6'	2250	22.8	3042	133	2588	113	2745	120	2264	99	2190	96
	3375	31.6	4499	142	3829	121	4061	128	3349	106	3239	102
	4500	42.5	6202	146	5278	124	5598	132	4617	109	4465	105
	5625	51.6	7755	150	6600	128	7000	136	5773	112	5584	108
	6750	60.4	9165	152	7799	129	8273	137	6823	113	6599	109
	7875	70.0	10561	151	8988	128	9533	136	7862	112	7604	109
	9000	82.8	12069	146	10271	124	10894	132	8985	108	8690	105

Based on 3500K, 80 CRI. Delivered lumens may vary +/- 5%. Actual wattage may vary +/- 5%

Louver Color Temperature & CRI

Color Temperature	Multiplier
2700K, 80+ CRI [27K]	0.95
2700K, 90+ CRI [927K]	0.80
3000K, 80+ CRI [30K]	0.97
3000K, 90+ CRI [930K]	0.83
3500K, 80+ CRI [35K]	1.00
3500K, 90+ CRI [935K]	0.85
4000K, 80+ CRI [40K]	1.03
4000K, 90+ CRI [940K]	0.87

Louver Finish

Color	Multiplier
Matte Black [BK]	1.00
Black Specular [BS]	1.00
Clear Diffuse [CD]	1.07
Clear Specular [CS]	1.10
Matte White [WH]	1.11

Louver Distribution

Distribution	Multiplier
Narrow Flood [NFL]	1.34
Flood 1 [FL1]	1.14
Flood 2 [FL2]	1.21
Wide Flood [WFL]	1.00
Louvered Mixing Chamber [LMC]	0.97

How To Use Lumen Multipliers

Formula: (Lumen Output Value) x (Color Temperature & CRI) x (Distribution) x (Finish)

Finishes



STANDARD FINISHES



WHITE WH BLACK BK TITANIUM SILVER TS

THE NATURALS (25% SCALE)



LIGHT OAK LOK GRAY ELM GRE CHESTNUT CHT WALNUT WLT WOVEN LINEN WLN