

# Seem® 1 Quartet Mud-In-Drywall

FSM1F-Q-XF



FOCAL POINT®



## BEFORE YOU BEGIN

- Luminaires must be installed by a qualified electrician (check with local and national codes for proper installation).
- To prevent electrical shock, disconnect electrical supply before installation or servicing.
- Contractor is responsible for adequately reinforcing walls and/or ceilings to support fixture weight.
- Focal Point, LLC accepts no responsibility for inadequately reinforced walls and/or ceilings.
- The information contained in this drawing is the sole property of Focal Point, LLC. Any reproduction in part or whole without the written permission of Focal Point, LLC is prohibited.

## INSTRUCTION KEY



ATTENTION



SEE ADDITIONAL INSTRUCTIONS



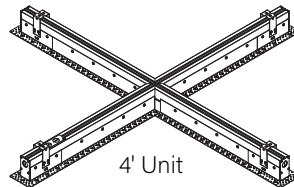
POWER OFF



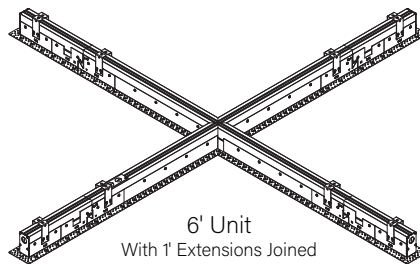
POWER ON

## COMPONENT KEY

### FOCAL POINT



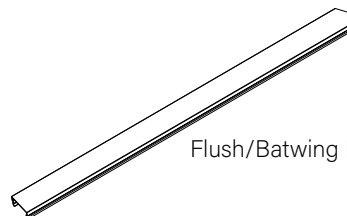
4' Unit



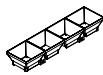
6' Unit  
With 1' Extensions Joined



1' Extension



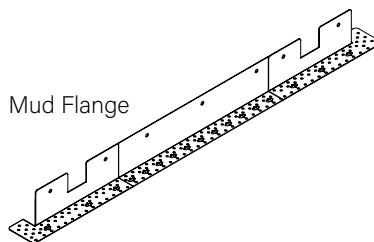
Flush/Batwing Lens



Louver



Point Source



Mud Flange

### SHIPPED INSTALLED



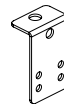
Reflector Screw  
(72026)

(8-18 x 1/4 SELF TAPPING SCREW)

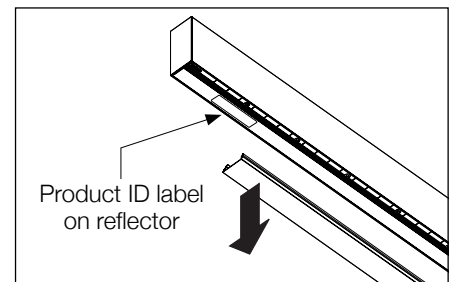


Tie-Wire Bracket Screw  
(72010)

(8-18 x 1/4 SELF TAPPING SCREW)



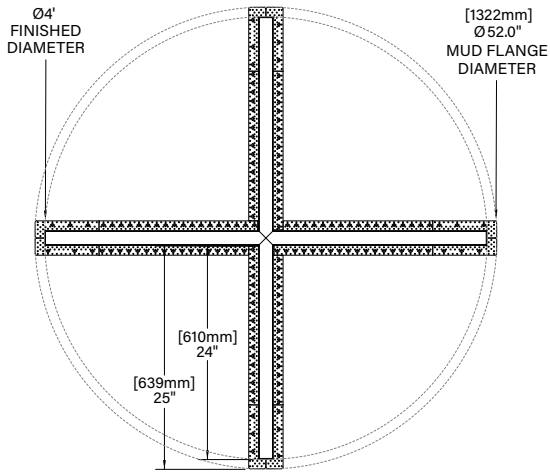
Tie Wire Bracket  
(A38635-01)



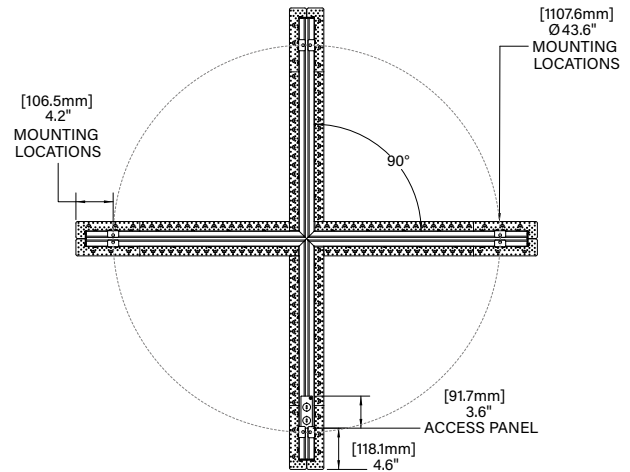
SEE **PAGES 2-4** FOR  
POST-DRYWALL INSTALLATION

SEE **PAGES 4-5** FOR  
PRE-DRYWALL INSTALLATION

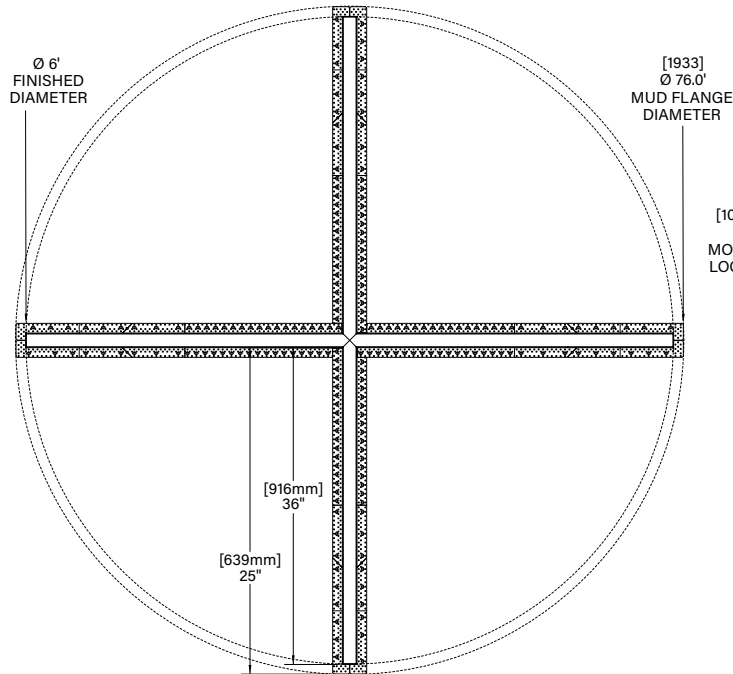
# MOUNTING DIMENSIONS



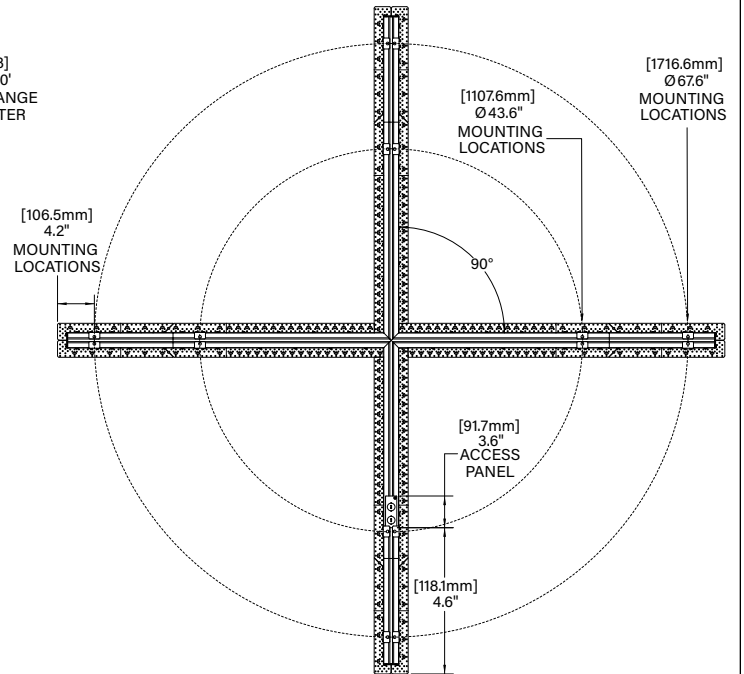
**4' DIAMETER - BOTTOM VIEW**



**4' DIAMETER - TOP VIEW**



**6' DIAMETER - BOTTOM VIEW**

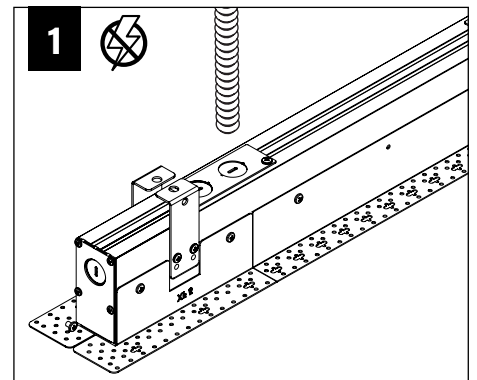
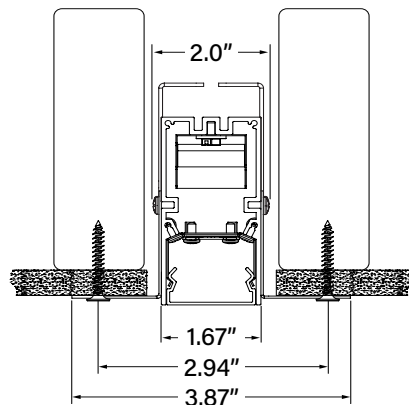


**6' DIAMETER - TOP VIEW**

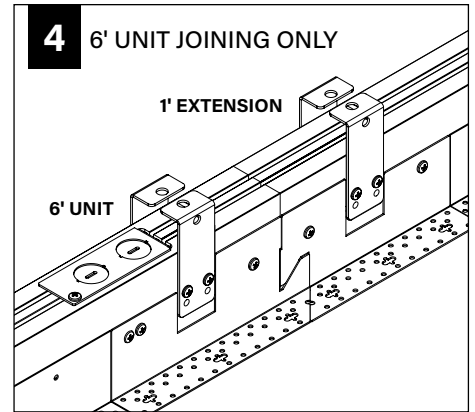
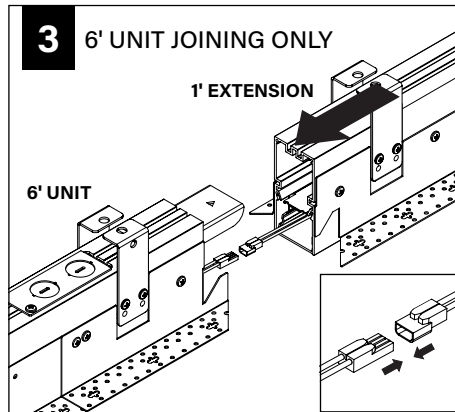
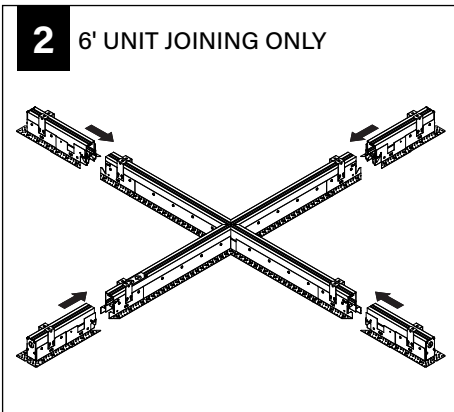
# POST-DRYWALL INSTALLATION



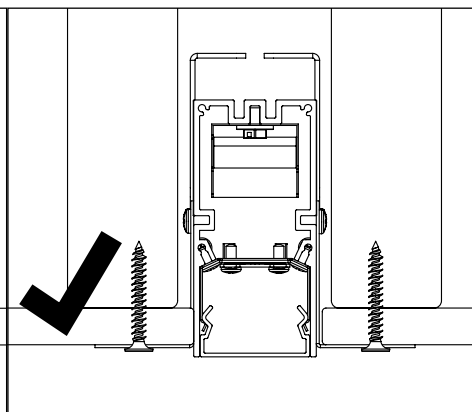
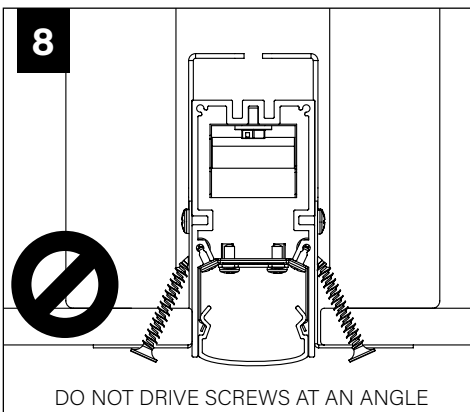
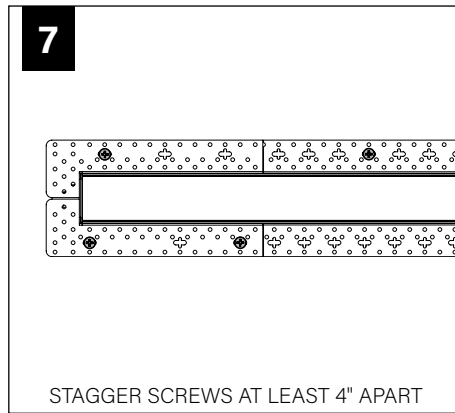
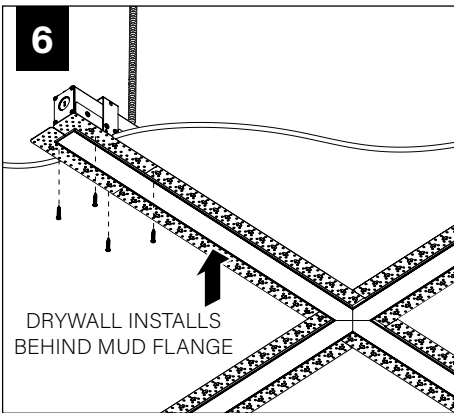
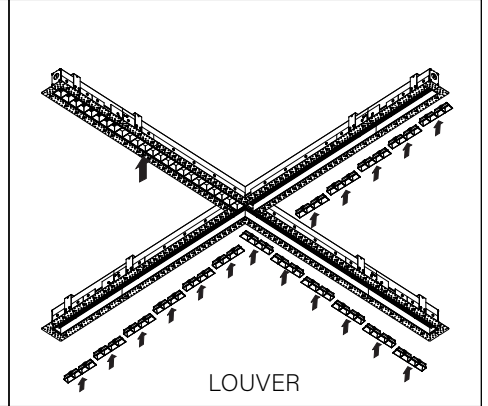
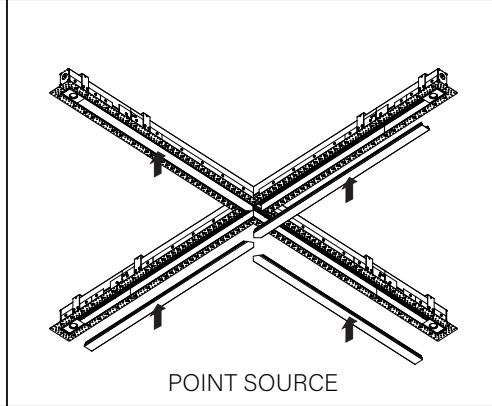
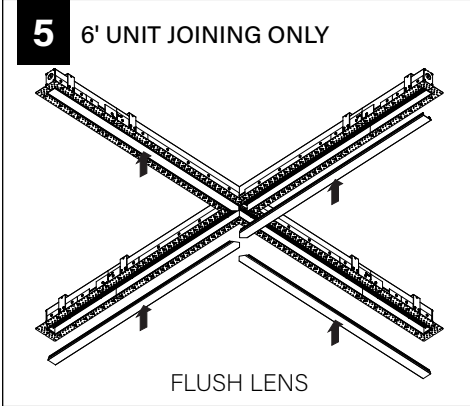
**2"X6" FRAMING  
REQUIRED ON BOTH SIDES  
OF HOUSING**

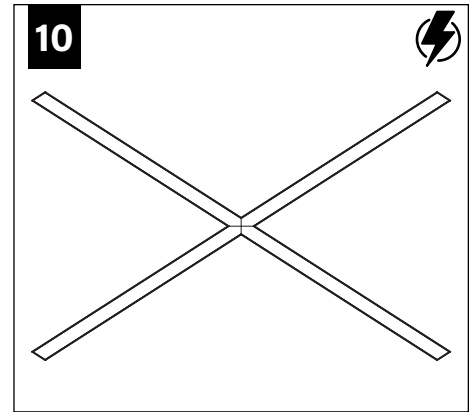
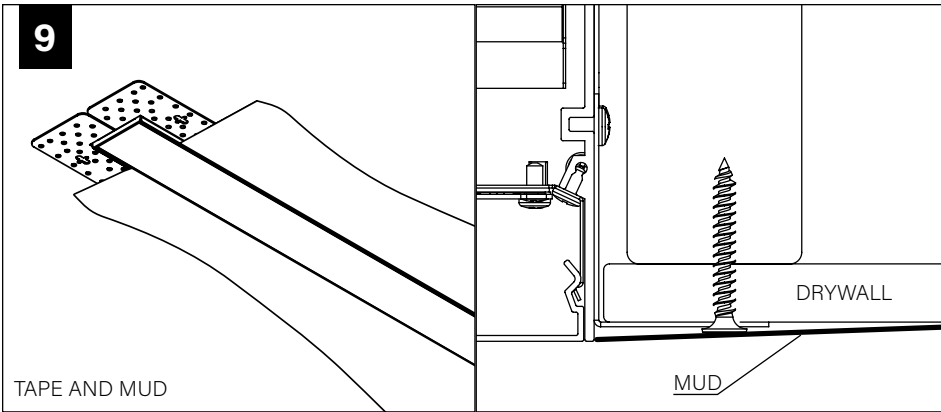


**1 MAKE ELECTRICAL CONNECTION**

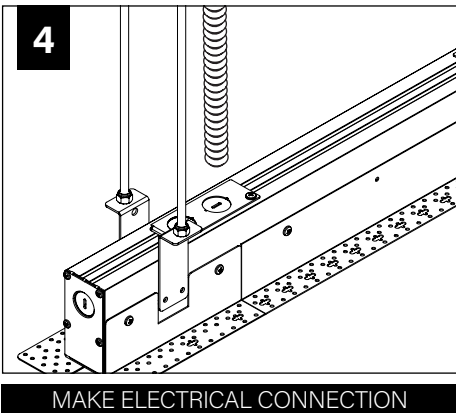
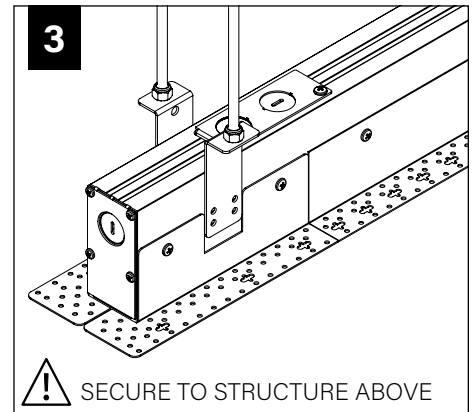
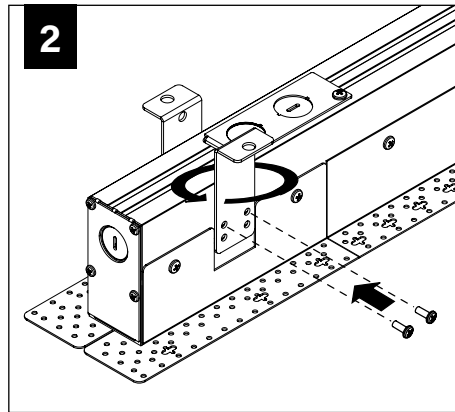
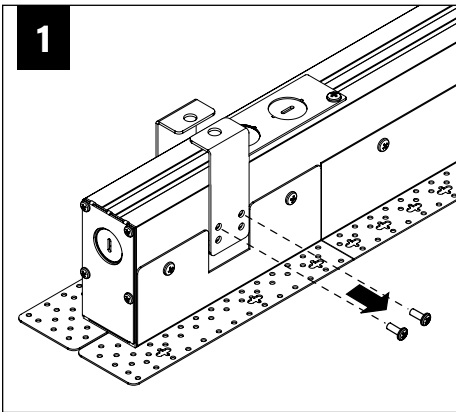


**⚠ LENS MUST BE INSTALLED PRIOR TO DRYWALL INSTALLATION**

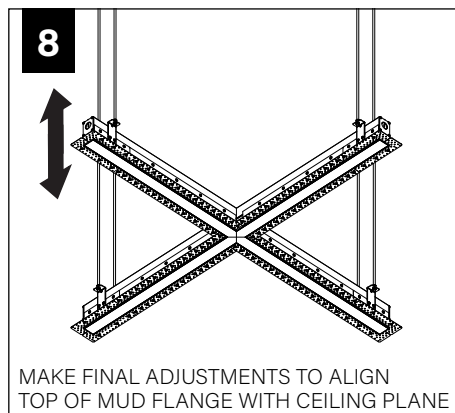
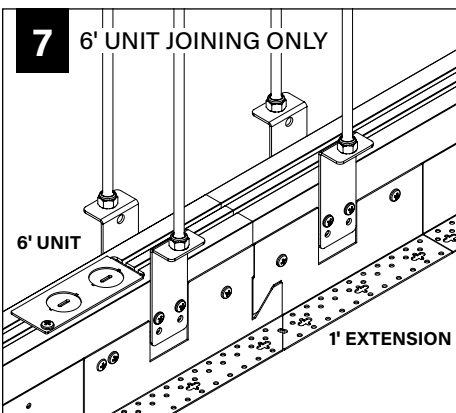
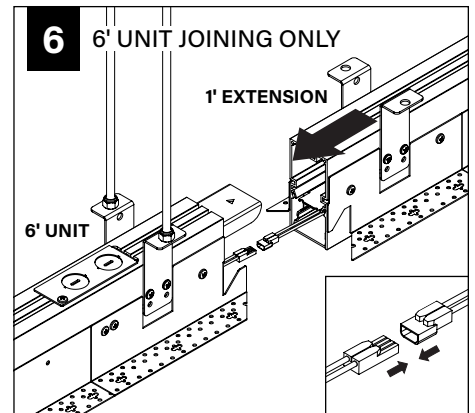
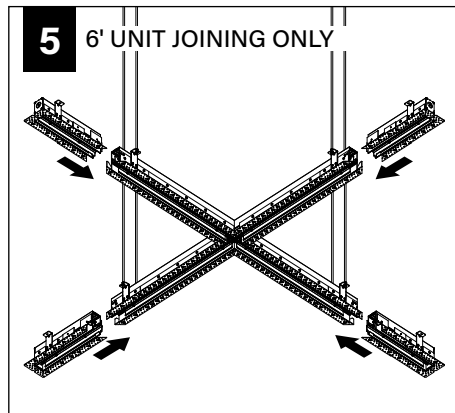




**PRE-DRYWALL INSTALLATION**

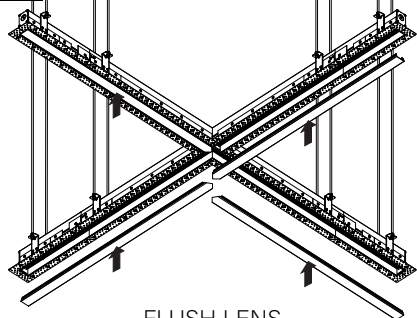


**MAKE ELECTRICAL CONNECTION**

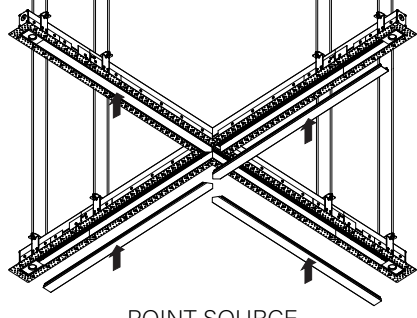


**⚠ LENS MUST BE INSTALLED PRIOR TO DRYWALL INSTALLATION**

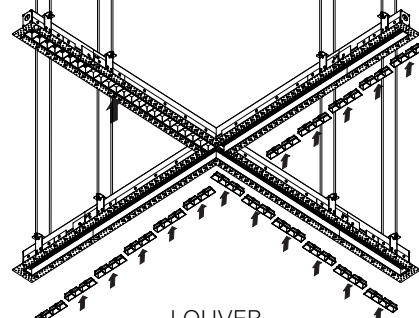
**9 6' UNIT JOINING ONLY**



FLUSH LENS

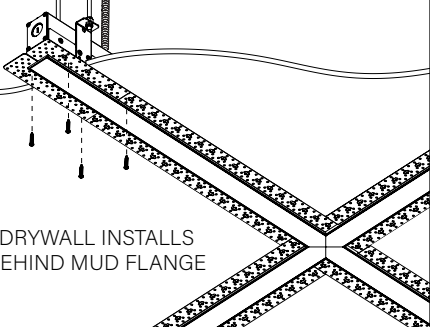


POINT SOURCE



LOUVER

**10**



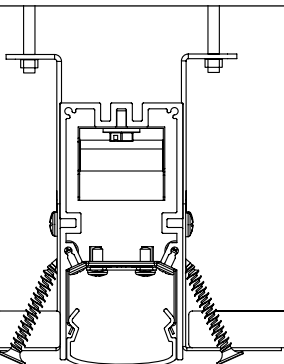
DRYWALL INSTALLS BEHIND MUD FLANGE

**11**

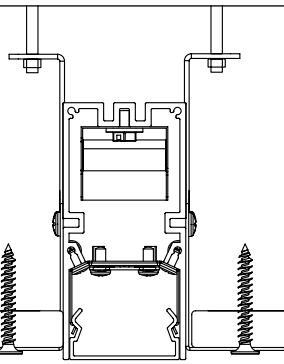


STAGGER SCREWS AT LEAST 4" APART

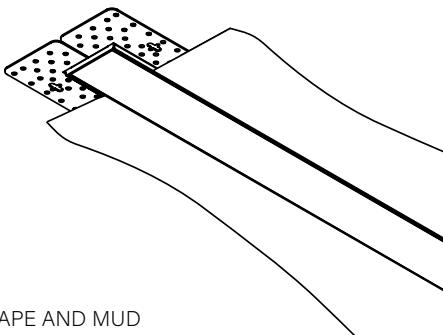
**12**



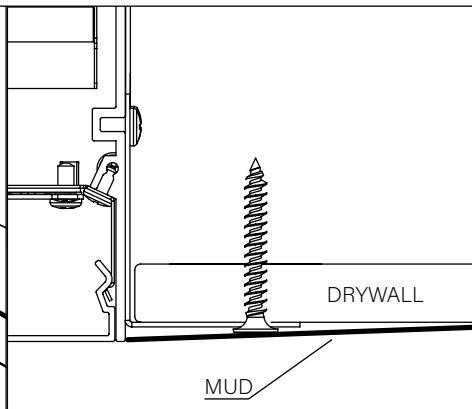
DO NOT DRIVE SCREWS AT AN ANGLE



**13**



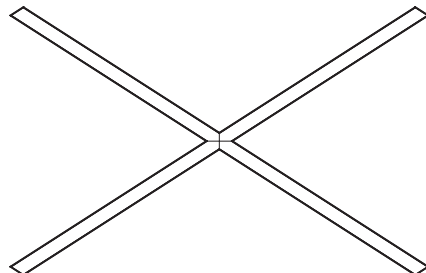
TAPE AND MUD



DRYWALL

MUD

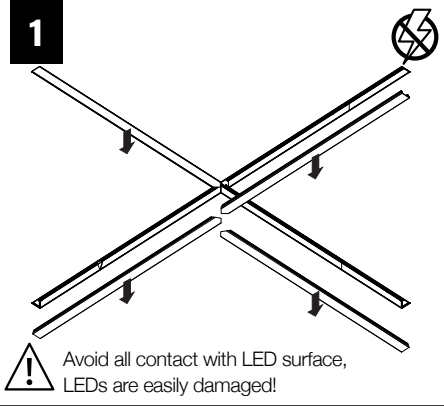
**14**



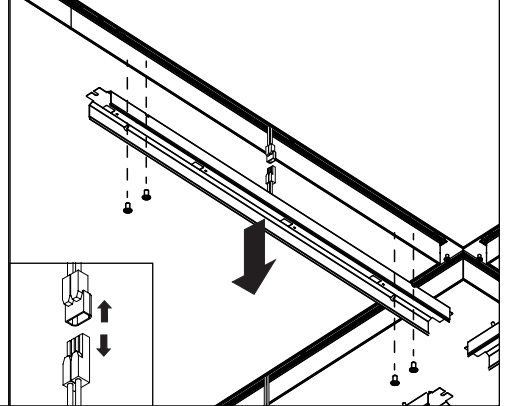
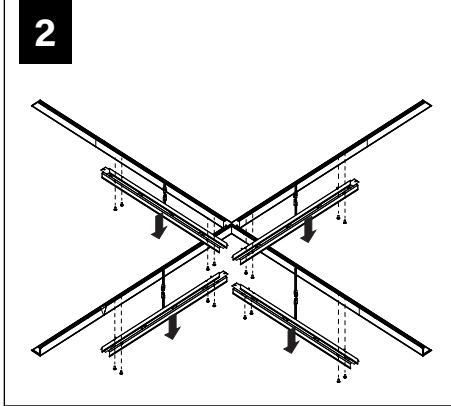
# DRIVER SERVICE

## FLUSH LENS

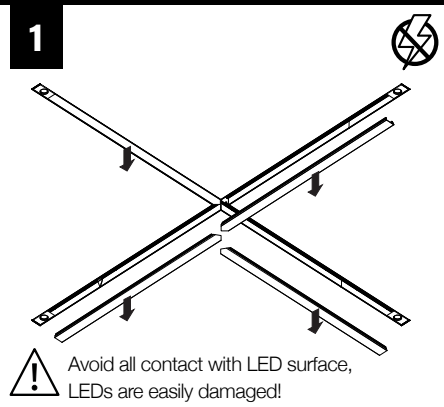
1



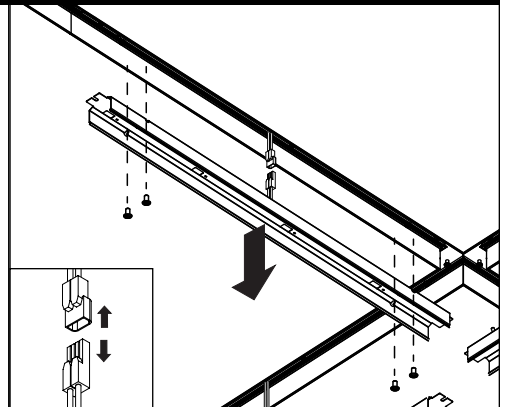
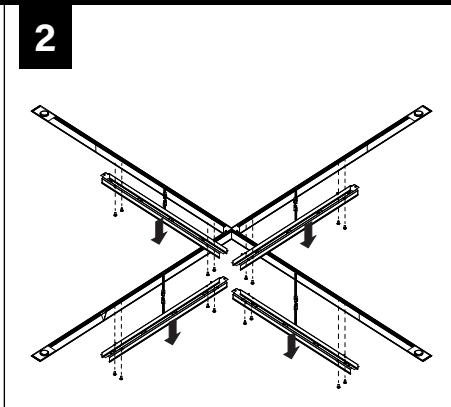
2



1

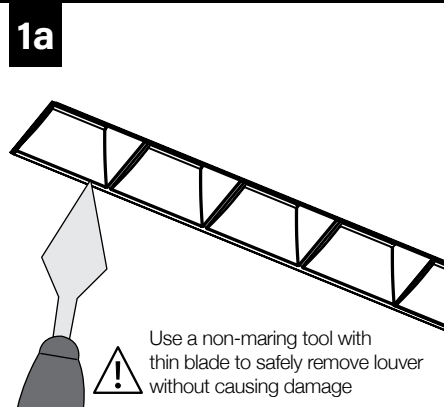


2

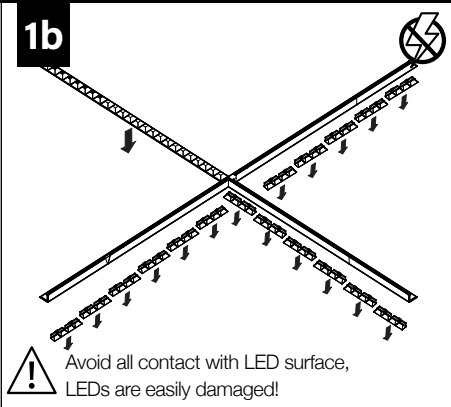


## LOUVER

1a



1b



2

