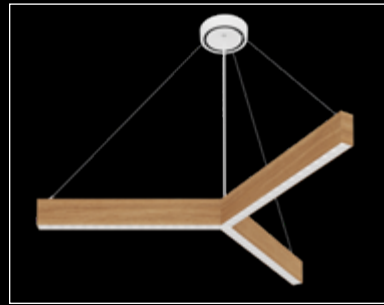
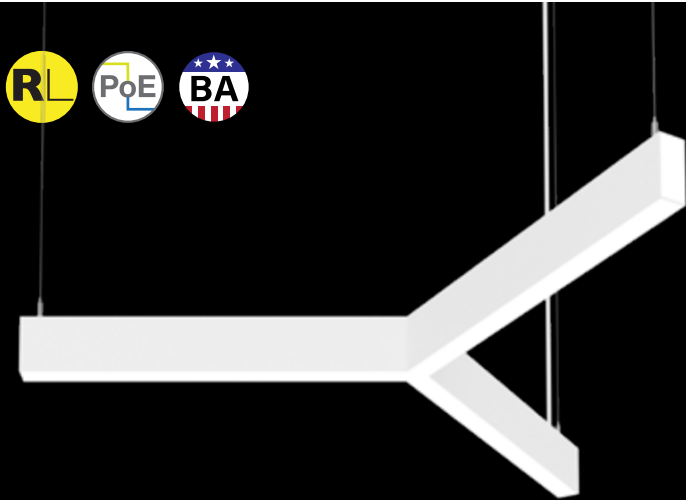
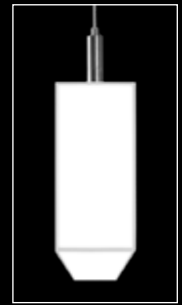


Seem® 1 Trio

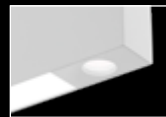
LED DIRECT/INDIRECT



The Naturals Collection - Chestnut with Clear Specular louver shown



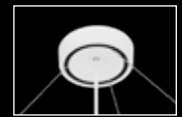
Lit end cap detail



Point Source ends detail

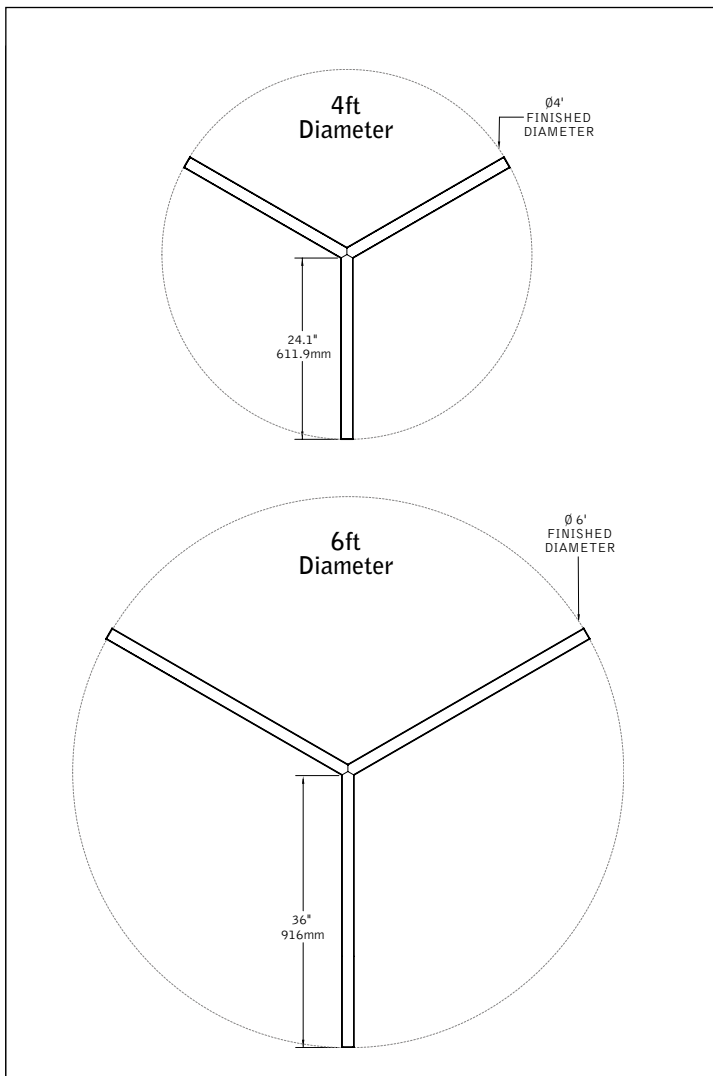


louver detail



Single point canopy detail

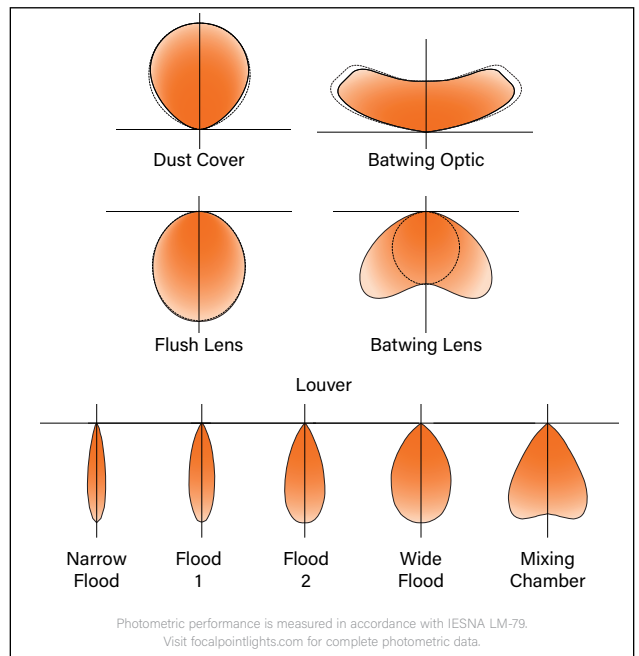
DIMENSIONAL DATA



FEATURES

Narrow 1.5" extruded aluminum 'X' shaped suspended direct/indirect LED luminaire with multiple shielding options. Individual 4' or 6' diameter units in lens, louver or integrated point source downlight configurations. Deeply regressed louver cells provide 60° cut-off from light source to promote visual comfort. Choice of output levels to meet a wide variety of application needs. PoE compatible: Integrates with Power over Ethernet lighting systems via standard, low-voltage wires. Available with The Naturals, a series of finishes that exude biophilic beauty.

DISTRIBUTIONS

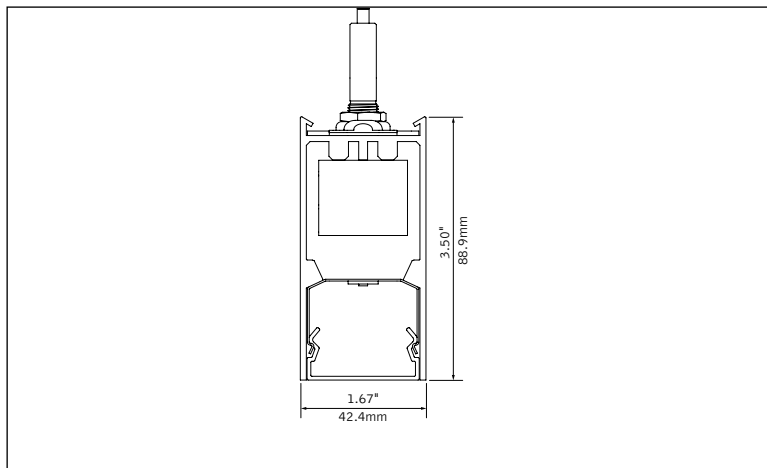


Photometric performance is measured in accordance with IESNA LM-79. Visit focalpointlights.com for complete photometric data.

fixture:

project:

STANDARD LENS DIMENSIONAL DATA



4' STANDARD LENS PERFORMANCE CHART

Distribution	Lumen Output	Tested System Watts	BW		FL/DC	
			Delivered lumens	LPW	Delivered lumens	LPW
Direct	750	9	810	92	767	87
	1500	15	1586	102	1503	97
	2250	23	2363	103	2240	97
	3000	30	3183	105	3017	99
	3750	37	3959	106	3753	101
Indirect	1500	12	1447	123	1484	126
	2250	17	2194	129	2248	132
	3000	23	2941	128	3012	131
	3750	28	3688	130	3776	133
	4800	36	4701	131	4813	135
	6000	44	5875	134	6013	137
	7500	54	7315	135	7486	138

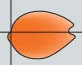
Based on 3500K. Lumen multipliers: 90 CRI = 0.87. Delivered lumens may vary +/- 5%. Actual wattage may vary +/- 5%

6' STANDARD LENS PERFORMANCE CHART

Distribution	Lumen Output	Tested System Watts	BW		FL/DC	
			Delivered lumens	LPW	Delivered lumens	LPW
Direct	1125	12	1198	99	1135	93
	2250	23	2363	103	2240	97
	3375	34	3571	106	3385	100
	4500	44	4736	108	4489	103
	5625	55	5944	109	5634	103
Indirect	2250	17	2194	129	2248	132
	3375	26	3314	129	3394	132
	4500	33	4381	131	4485	134
	5625	42	5501	132	5631	135
	7200	52	7049	135	7213	138
	9000	65	8809	136	9014	139
	11250	72	9876	136	10105	139

Based on 3500K. Lumen multipliers: 90 CRI = 0.87. Delivered lumens may vary +/- 5%. Actual wattage may vary +/- 5%

LIT END CAP PERFORMANCE CHART

Lumen Output		Delivered Lumens Per End Cap	
4'	6'		
750	1125	28	
1500	2250	56	
2250	3375	83	
3000	4500	112	
3750	5625	139	

Based on 3500K. Lumen multipliers: 90 CRI = 0.87. Delivered lumens may vary +/- 5%. Actual wattage may vary +/- 5%

Focal Point LLC reserves the right to change specifications for product improvement without notification.

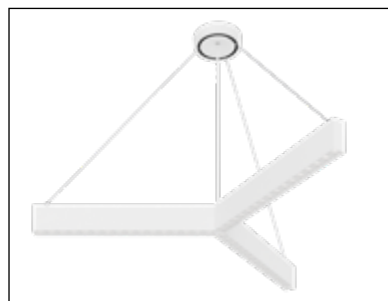
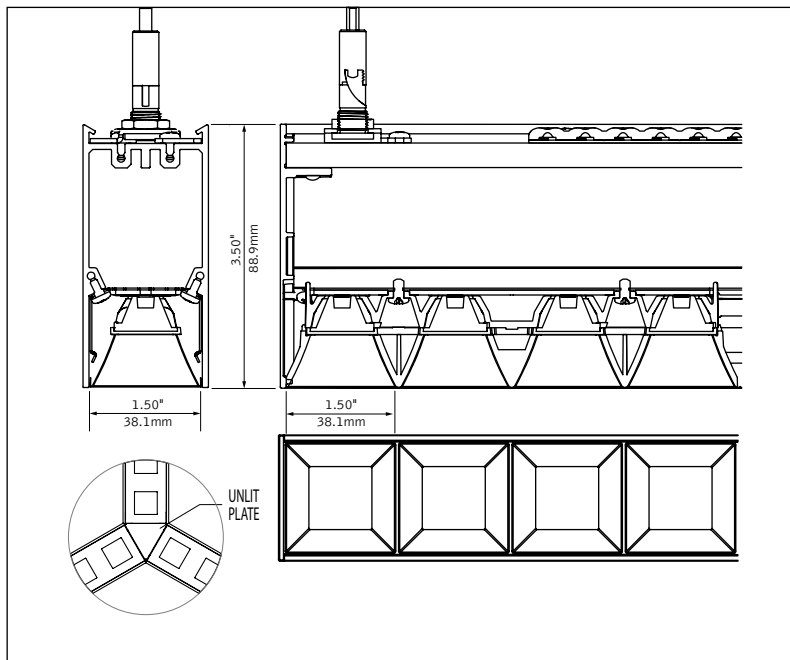
STANDARD LENS ORDERING

Luminaire Series	FSM1FBP
Seem 1 Pendant Direct/Indirect	FSM1FBP
Profile	T
Trio	T
Nominal Size	
4' Diameter (2' arms)	4
6' Diameter (3' arms)	6
Shielding	
Batwing Optic top/Flush Lens bottom	BWFL
Batwing Optic top/Batwing Lens bottom	BWBW
Dust Cover top/Flush Lens bottom	DCFLL
Dust Cover top/Batwing Lens bottom	DCBW
Lumen Output	
4' Diameter	750 Lumens 750 1500 Lumens 1500 2250 Lumens 2250 3000 Lumens 3000 3750 Lumens 3750 4800 Lumens 4800 6000 Lumens 6000 6750 Lumens 6750 7500 Lumens 7500
6' Diameter	1125 Lumens 1125 2250 Lumens 2250 3375 Lumens 3375 4500 Lumens 4500 5625 Lumens 5625 7200 Lumens 7200 9000 Lumens 9000 10125 Lumens 10125
Direct Distribution	___ DN
(4ft max. 3750. 6ft max. 5625)	
Indirect Distribution	___ UP
(4ft min. 1500. 6ft min. 2250)	
Color Temperature	
2700K, 80+ CRI or 90+ CRI	27K or 927K
3000K, 80+ CRI or 90+ CRI	30K or 930K
3500K, 80+ CRI or 90+ CRI	35K or 935K
4000K, 80+ CRI or 90+ CRI	40K or 940K
Circuits	
Single Circuit	1C
Dual Circuit	2C
(Independent control of Direct and Indirect sources)	
Voltage	
120/277 UNV Volt	UNV
347 Volt (LD1 driver only)	347
Low Voltage	LV
Control System & Dimming Level	
0-10V - 10% Dimming	LD1
0-10V - 1% Dimming	L11
Low Voltage, PoE compatible	LVN
(No driver. Not available with EM or EC. LV Voltage only.)	
Lutron Hi-Lume EcoSystem (LDE1) -	
1% Dimming	LH1
DALI 1% Dimming	D11
Mounting	
(Specify canopy color, see finishes page for options. The Naturals available with Multi-point suspension only. Example: White = J24WH.)	
48" Cable Single Suspension	CC48__ or CE48__
(Power cord at intersection CC or power cord at end CE)	
96" Cable Single Suspension	CC96__ or CE96__
(Power cord at intersection CC or power cord at end CE)	
24" Cable Multi-point Suspension	J24__
48" Cable Multi-point Suspension	J48__
96" Cable Multi-point Suspension	J96__
(Consult factory for sloped ceiling applications.)	
Factory Options	
Black Cord	BKCD
Lit End Caps	LE
(FL shielding only. Not available with The Naturals. Not recommended with Black housing.)	
Emergency Circuit	EC
Emergency Battery Pack (120/277 Volt only.)	EM
Housing Finish	
(See finishes page for The Naturals options)	
Black	BK
Titanium Silver	TS
Matte White Housing	WH

fixture:

project:

LOUVER DIMENSIONAL DATA



4' Single Canopy, Matte White housing and louver



Black Specular Louver



Matte Black Louver



Matte White Louver



Clear Diffuse Louver



Center detail

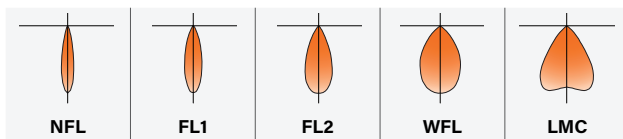


Emergency detail



Clear Specular Louver

LOUVER DISTRIBUTIONS



	NFL	FL1	FL2	WFL	LMC
Beam Spread	20°	29°	43°	67°	68°
Spacing Criteria	0.36	0.50	0.70	0.98	1.18

PERFORMANCE CHART

See page 6

LOUVER ORDERING

Luminaire Series
Seem 1 Pendant Direct/Indirect FSM1FBP

FSM1FBP

Profile

Trio T

Nominal Size

4' Diameter (2' arms) 4

6' Diameter (3' arms) 6

Shielding

Batwing Optic top/Fully Louvered bottom BWLC

Dust Cover top/Fully Louvered bottom DCLC

Lumen Output

4' Diameter	1500 Lumens	1500
	2250 Lumens	2250
	3000 Lumens	3000
	3750 Lumens	3750
	4800 Lumens	4800
	6000 Lumens	6000
6' Diameter	6750 Lumens	6750
	2250 Lumens	2250
	3375 Lumens	3375
	4500 Lumens	4500
	5625 Lumens	5625
	7200 Lumens	7200
	9000 Lumens	9000
	10125 Lumens	10125

Direct Distribution ___DN
(4ft max. 6000. 6ft max. 9000)

Indirect Distribution ___UP

Color Temperature

2700K, 80+ CRI or 90+ CRI 27K or 927K

3000K, 80+ CRI or 90+ CRI 30K or 930K

3500K, 80+ CRI or 90+ CRI 35K or 935K

4000K, 80+ CRI or 90+ CRI 40K or 940K

Circuits

Single Circuit 1C

Dual Circuit 2C

(Independent control of Direct and Indirect sources)

Voltage

120/277 UNV Volt UNV

347 Volt (LD1 driver only) 347

Low Voltage LV

Control System & Dimming Level

0-10V - 10% Dimming LD1

0-10V - 1% Dimming L11

Low Voltage, PoE compatible LVN

(No driver. Not available with EM or EC. LV Voltage only.)

Lutron Hi-Lume EcoSystem (LDE1) -

1% Dimming LH1

DALI 1% Dimming D11

Mounting

(Specify canopy color, see finishes page for options.

The Naturals available with Multi-point suspension only.

Example: White = J24WH.)

48" Cable Single Suspension CC48___ or CE48___

(Power cord at intersection CC or power cord at end CE)

96" Cable Single Suspension CC96___ or CE96___

(Power cord at intersection CC or power cord at end CE)

24" Cable Multi-point Suspension J24___

48" Cable Multi-point Suspension J48___

96" Cable Multi-point Suspension J96___

(Consult factory for sloped ceiling applications.)

Louver Distribution

Narrow Flood NFL

Flood 1 FL1

Flood 2 FL2

Wide Flood WFL

Louvered Mixing Chamber LMC

Factory Options

Black Cord BKCD

Emergency Circuit EC

Emergency Battery Pack (120/277 Volt only.) EM

Louver Finish

Matte Black BK

Black Specular BS

Clear Diffuse CD

Clear Specular CS

Matte White WH

Housing & Faceplate Finish

(See finishes page for The Naturals options)

Matte Black BK

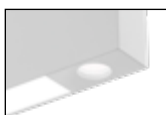
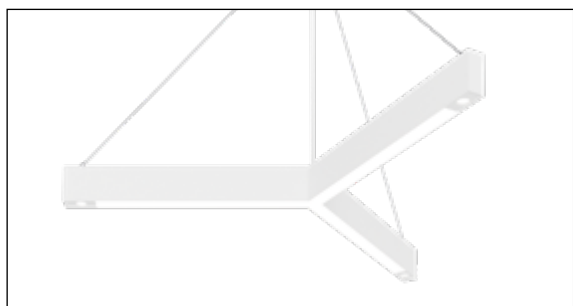
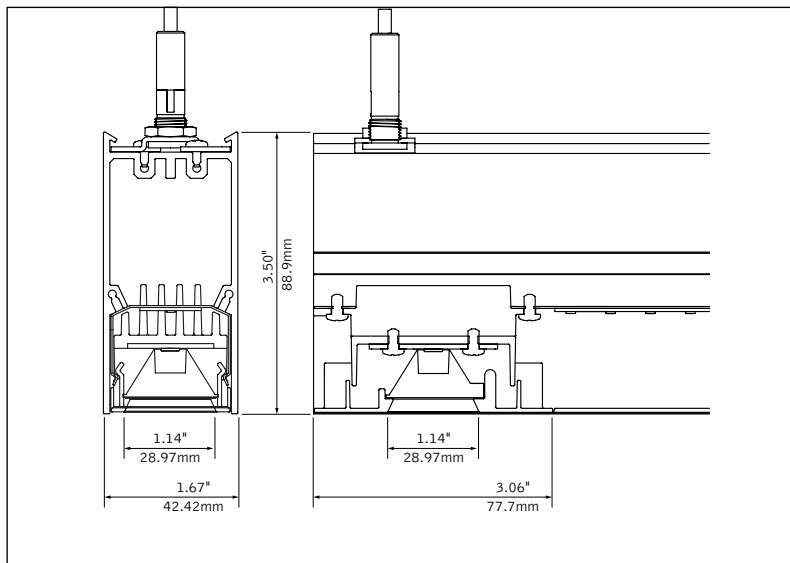
Titanium Silver TS

Matte White Housing WH

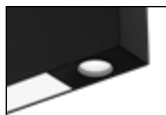
fixture:

project:

POINT SOURCE DIMENSIONAL DATA



Matte White



Matte Black

PERFORMANCE CHART (POINT SOURCE)

Distribution	Beamspread	Point Source Lumens	Delivered Lumens	Tested Watts	LPW
Narrow Flood (NFL)	21°	250L	258	3.4	76.9
		350L	360	4.5	79.6
		450L	457	5.7	80.5
Flood 1 (FL1)	28°	250L	254	3.4	75.6
		350L	354	4.5	78.3
Flood 2 (FL2)	42°	250L	249	3.4	74.1
		350L	346	4.5	76.7
Wide Flood (WFL)	53°	250L	242	3.4	72.1
		350L	337	4.5	74.6
		450L	429	5.7	75.5

Based on 3500K. Lumen output may vary +/- 5%. Actual wattage may vary +/- 5%

LENSED AREA PERFORMANCE CHART

See page 7

POINT SOURCE ORDERING

Luminaire Series

Seem 1 Pendant Direct/Indirect FSM1FBP

Profile

Trio T

Nominal Size

4' Diameter (2' arms) 4

6' Diameter (3' arms) 6

Shielding

Batwing Optic top/ Flush Lens + Point Source Ends bottom BWFLPSE

Batwing Optic top/ Batwing Lens + Point Source bottom BWBWPSE

Dust Cover top/ Flush Lens + Point Source Ends bottom DCFLPSE

Dust Cover top/ Batwing Lens + Point Source Ends bottom DCBWPSE

Point Source Lumens

250 Lumens 250L

350 Lumens 350L

450 Lumens 450L

Point Source Distribution

Narrow Flood NFL

Flood 1 FL1

Flood 2 FL2

Wide Flood WFL

Direct Lensed Distribution

660 Lumens 660DN

1320 Lumens 1320DN

1980 Lumens 1980DN

2640 Lumens 2640DN

3300 Lumens 3300DN

1035 Lumens 1035DN

2070 Lumens 2070DN

3105 Lumens 3105DN

4140 Lumens 4140DN

5175 Lumens 5175DN

Indirect Distribution

1500 Lumens 1500UP

2250 Lumens 2250UP

3000 Lumens 3000UP

3750 Lumens 3750UP

4800 Lumens 4800UP

6000 Lumens 6000UP

6750 Lumens 6750UP

7500 Lumens 7500UP

2250 Lumens 2250UP

3375 Lumens 3375UP

4500 Lumens 4500UP

5625 Lumens 5625UP

7200 Lumens 7200UP

9000 Lumens 9000UP

10125 Lumens 10125UP

Color Temperature

2700K, 80+ CRI or 90+ CRI 27K or 927K

3000K, 80+ CRI or 90+ CRI 30K or 930K

3500K, 80+ CRI or 90+ CRI 35K or 935K

4000K, 80+ CRI or 90+ CRI 40K or 940K

Circuits

Single Circuit 1C

Dual Circuit 2C

(Independent control of Direct and Indirect sources)

Triple Circuit 3C

(Independent control of all sources only. Consult factory for Single Suspension options CC or CE.)

Voltage

120/277 UNV Volt UNV

347 Volt (LD1 driver only) 347

Low Voltage LV

Control System & Dimming Level

0-10V - 10% Dimming LD1

0-10V - 1% Dimming L11

Low Voltage, PoE compatible (No driver. Not available with EM or EC. LV Voltage only.) LVN

Lutron Hi-Lume EcoSystem (LDE1) - LH1

1% Dimming

DALI 1% Dimming D11

Mounting

(Specify canopy color, see finishes page for options. The Naturals available with Multi-point suspension only. Example: White = J24WH.)

48" Cable Single Suspension CC48__ or CE48__

(Power cord at intersection CC or power cord at end CE)

96" Cable Single Suspension CC96__ or CE96__

(Power cord at intersection CC or power cord at end CE)

24" Cable Multi-point Suspension J24__

48" Cable Multi-point Suspension J48__

96" Cable Multi-point Suspension J96__

(Consult factory for sloped ceiling applications.)

Factory Options

Black Cord BKCD

Emergency Circuit EC

Emergency Battery Pack (120/277 Volt only.) EM

Housing & Faceplate Finish

Matte Black BK

Titanium Silver TS

Matte White Housing WH

SPECIFICATIONS

LED System

Proprietary linear LED module incorporates premium LEDs on a robust platform to achieve excellent thermal management. LEDs are placed to promote a uniform appearance. Available in 2700K, 3000K, 3500K or 4000K with both 80 and 90 CRI options. 3500K and 4000K with CRI>90 have a cyanosis observation index (COI) of 3.3 or less. LED modules and drivers are replaceable from below. Color accuracy <3 SDCM.

Construction

Extruded aluminum housing. Cast aluminum end caps. Luminaire will not exceed 16lbs.

Optic

Reflectors fabricated of 22 Ga. steel finished in High Reflectance White powder coat. Extruded acrylic lens .085" thick with frosted finish. 60-degree cut-off to louvered light source and its image.

Electrical

Luminaires are pre-wired with factory installed branch circuit wiring and over-molded quick connects. Standard 120-277V constant current driver includes 0-10V analog dimming. Power factor > .9. PoE compatible: Integrates with Power over Ethernet lighting systems via standard, low-voltage wires. PoE runs require an independent PoE node and power feed for each luminaire section.

Emergency Battery

Emergency output - 10 watts for 90 minutes. Maximum mounting height: 18.5ft.

Labels

UL and cUL listed. Suitable for Dry or Damp Locations, indoor use only.

Finish

Polyester powder coat applied over a multi-stage pre-treatment. Canopy and cord white as standard. The Naturals: 100% low VOC vinyl.

Lumen Maintenance

Lensed Source

Reported: L70 at >61,000 hours
L90 at >61,000 hours

Calculated: L70 at 470,000 hours
L90 at 115,000 hours

Louvered Sources

Reported: L70 at >54,000 hours
L90 at 43,000 hours

Calculated: L70 at 138,000 hours
L90 at 43,000 hours

Point Sources

Reported: L70 at >55,000 hours
L90 at 54,000 hours

Calculated: L70 at 226,000 hours
L90 at 54,000 hours

Derived from EPA TM-21 calculator. Based on typical conditions, consult factory for additional data.

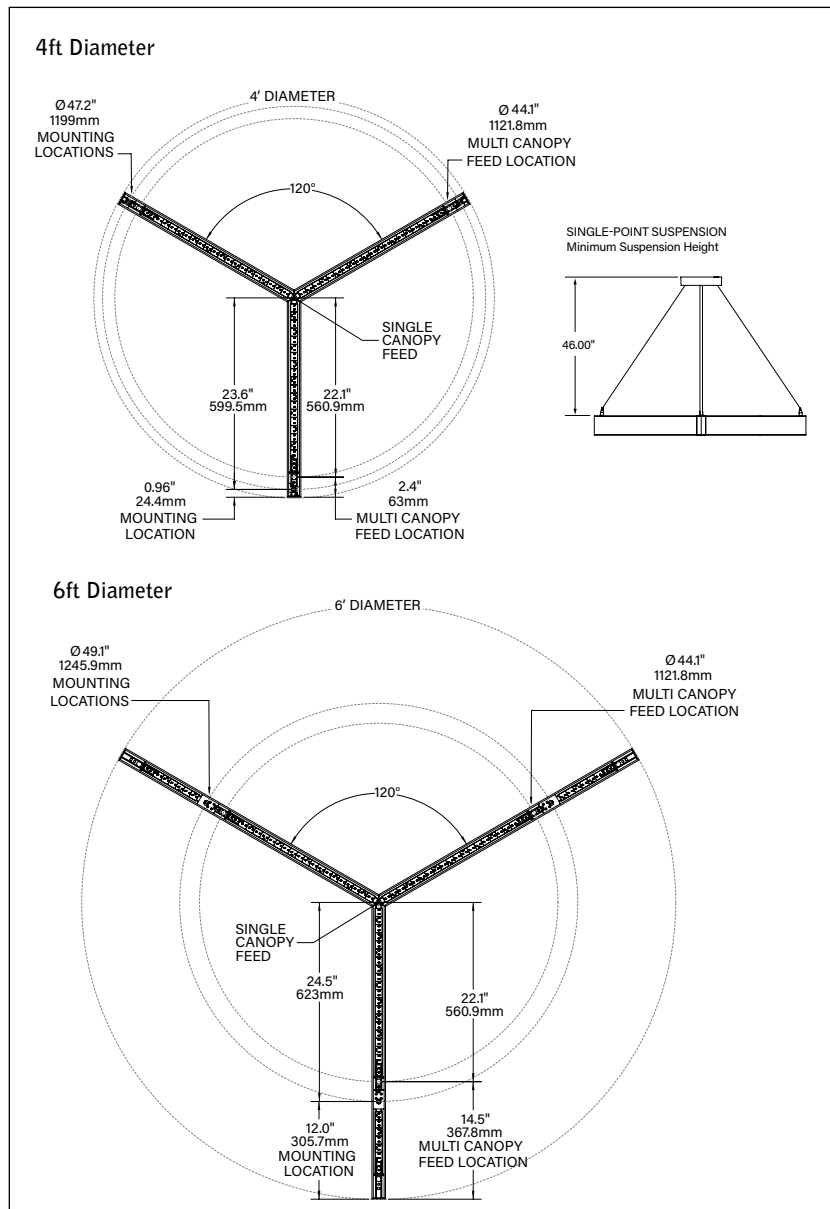
Reliability

At Focal Point, our products are designed to stand the test of time. Each luminaire is engineered using superior components, manufactured with the utmost care and rigorously tested. Contact us for reliability data.

Warranty

LED system rated for operation in ambient environments up to 25°C. 5-year limited warranty.

MOUNTING DETAILS



Declare label applies to lensed shielding ordering codes BW & FL only.

4' LOUVERED PERFORMANCE CHART

Distribution	Lumen Output	Tested System Watts	NFL		FL1		FL2		WFL		LMC		BW		FL	
			Delivered Lumens	LPW	Delivered Lumens	LPW	Delivered Lumens	LPW	Delivered Lumens	LPW	Delivered Lumens	LPW	Delivered Lumens	LPW	Delivered Lumens	LPW
Direct	1500	15.4	2028	132	1726	112	1830	119	1509	98	1460	95				
	2250	21.0	2999	143	2552	122	2707	129	2233	106	2159	103				
	3000	29.0	4134	142	3518	121	3732	129	3078	106	2977	103				
	3750	35.5	5170	146	4400	124	4667	131	3849	108	3722	105				
	4500	41.5	6110	147	5200	125	5515	133	4548	110	4399	106				
	5250	47.4	7041	149	5992	127	6355	134	5241	111	5069	107				
	6000	53.8	8046	150	6847	127	7263	135	5990	111	5793	108				
Indirect	1500	12											1447	123	1484	126
	2250	17											2194	129	2248	132
	3000	23											2941	128	3012	131
	3750	28											3688	130	3776	133
	4800	36											4701	131	4813	135
	6000	44											5875	134	6013	137
	6750	49											6622	135	6777	138

Based on 3500K, 80 CRI. Delivered lumens may vary +/- 5%. Actual wattage may vary +/- 5%

6' LOUVERED PERFORMANCE CHART

Distribution	Lumen Output	Tested System Watts	NFL		FL1		FL2		WFL		LMC		BW		FL	
			Delivered Lumens	LPW	Delivered Lumens	LPW	Delivered Lumens	LPW	Delivered Lumens	LPW	Delivered Lumens	LPW	Delivered Lumens	LPW	Delivered Lumens	LPW
Direct	2250	22.8	3042	133	2588	113	2745	120	2264	99	2190	96				
	3375	31.6	4499	142	3829	121	4061	128	3349	106	3239	102				
	4500	42.5	6202	146	5278	124	5598	132	4617	109	4465	105				
	5625	51.6	7755	150	6600	128	7000	136	5773	112	5584	108				
	6750	60.4	9165	152	7799	129	8273	137	6823	113	6599	109				
	7875	70.0	10561	151	8988	128	9533	136	7862	112	7604	109				
	9000	82.8	12069	146	10271	124	10894	132	8985	108	8690	105				
Indirect	2250	17											2194	129	2248	132
	3375	26											3314	129	3394	132
	4500	33											4381	131	4485	134
	5625	42											5501	132	5631	135
	7200	52											7049	135	7213	138
	9000	65											8809	136	9014	139
	10125	72											9876	136	10105	139

Based on 3500K, 80 CRI. Delivered lumens may vary +/- 5%. Actual wattage may vary +/- 5%

Louvers Color Temperature & CRI

Color Temperature	Multiplier
2700K, 80+ CRI [27K]	0.95
2700K, 90+ CRI [927K]	0.80
3000K, 80+ CRI [30K]	0.97
3000K, 90+ CRI [930K]	0.83
3500K, 80+ CRI [35K]	1.00
3500K, 90+ CRI [935K]	0.85
4000K, 80+ CRI [40K]	1.03
4000K, 90+ CRI [940K]	0.87

Louvers Finish

Color	Multiplier
Matte Black [BK]	1.00
Black Specular [BS]	1.00
Clear Diffuse [CD]	1.07
Clear Specular [CS]	1.10
Matte White [WH]	1.11

Louvers Distribution

Distribution	Multiplier
Narrow Flood [NFL]	1.34
Flood 1 [FL1]	1.14
Flood 2 [FL2]	1.21
Wide Flood [WFL]	1.00
Louvered Mixing Chamber [LMC]	0.97

How To Use Lumen Multipliers

Formula: (Lumen Output Value) x (Color Temperature & CRI) x (Distribution) x (Finish)

4' POINT SOURCE PERFORMANCE CHART (LENSED AREA)

Distribution	Lumen Output	Tested System Watts	BW		FL/DC	
			Delivered lumens	LPW	Delivered lumens	LPW
Direct	660	8	680	89	645	84
	1320	14	1414	101	1340	96
	1980	20	2104	105	1994	100
	2640	27	2794	104	2648	99
	3300	33	3485	105	3303	100
Indirect	1500	12	1447	123	1484	126
	2250	17	2194	129	2248	132
	3000	23	2941	128	3012	131
	3750	28	3688	130	3776	133
	4800	36	4701	131	4813	135
	6000	44	5875	134	6013	137
	6750	49	6622	135	6777	138
	7500	54	7315	135	7486	138


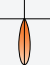
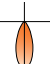

Based on 3500K. Lumen multipliers: 90 CRI = 0.87. Delivered lumens may vary +/- 5%. Actual wattage may vary +/- 5%

6' POINT SOURCE PERFORMANCE CHART (LENSED AREA)

Distribution	Lumen Output	Tested System Watts	BW		FL/DC	
			Delivered lumens	LPW	Delivered lumens	LPW
Direct	1035	11	1112	97	1054	92
	2070	21	2190	106	2076	100
	3105	31	3269	105	3098	100
	4140	41	4347	106	4121	101
	5175	50	5469	109	5184	103
Indirect	2250	17	2194	129	2248	132
	3375	26	3314	129	3394	132
	4500	33	4381	131	4485	134
	5625	42	5501	132	5631	135
	7200	52	7049	135	7213	138
	9000	65	8809	136	9014	139
	10125	72	9876	136	10105	139
	11250	81	10996	137	11251	140

Based on 3500K. Lumen multipliers: 90 CRI = 0.87. Delivered lumens may vary +/- 5%. Actual wattage may vary +/- 5%

PERFORMANCE CHART (POINT SOURCE)

Distribution	Beamspread	Point Source Lumens	Delivered Lumens	Tested Watts	LPW	
	Narrow Flood (NFL)	21°	250L	258	3.4	76.9
			350L	360	4.5	79.6
			450L	457	5.7	80.5
	Flood 1 (FL1)	28°	250L	254	3.4	75.6
			350L	354	4.5	78.3
			450L	450	5.7	79.2
	Flood 2 (FL2)	42°	250L	249	3.4	74.1
			350L	346	4.5	76.7
			450L	441	5.7	77.5
	Wide Flood (WFL)	53°	250L	242	3.4	72.1
			350L	337	4.5	74.6
			450L	429	5.7	75.5

Based on 3500K. Lumen output may vary +/- 5%. Actual wattage may vary +/- 5%

Finishes



STANDARD FINISHES



WHITE WH BLACK BK TITANIUM SILVER TS

THE NATURALS (25% SCALE)



LIGHT OAK LOK GRAY ELM GRE CHESTNUT CHT WALNUT WLT WOVEN LINEN WLN