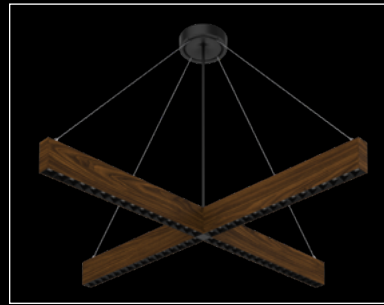
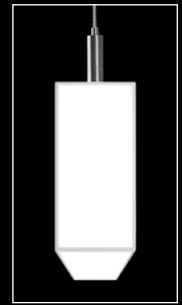


Seem® 1 Quartet

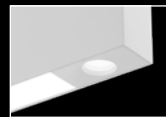
LED DIRECT/INDIRECT



The Naturals Collection - Walnut with Black Matte louver shown



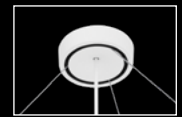
Lit end cap detail



Point Source ends detail

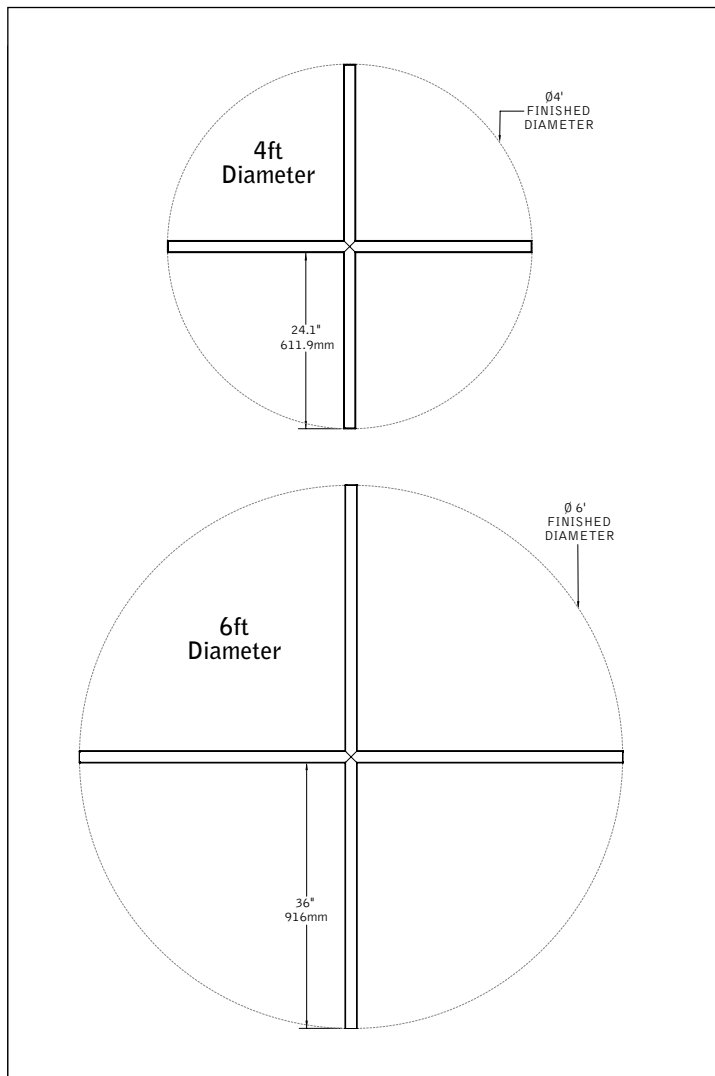


louver detail



Single point source canopy detail

DIMENSIONAL DATA



FEATURES

Narrow 1.5" extruded aluminum 'X' shaped suspended direct/indirect LED luminaire with multiple shielding options.

Individual 4' or 6' diameter units in lens, louver or integrated point source downlight configurations.

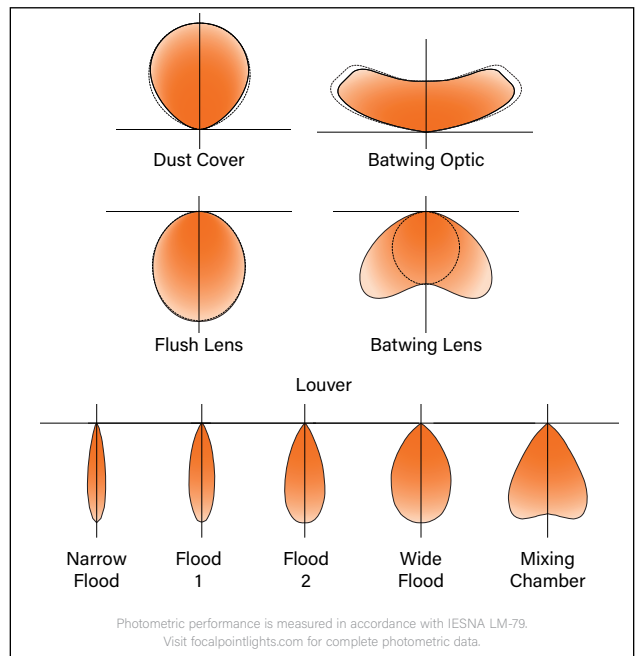
Deeply regressed louver cells provide 60° cut-off from light source to promote visual comfort.

Choice of point source downlight output levels to meet a wide variety of application needs.

PoE compatible: Integrates with Power over Ethernet lighting systems via standard, low-voltage wires.

Available with The Naturals, a series of finishes that exude biophilic beauty.

DISTRIBUTIONS

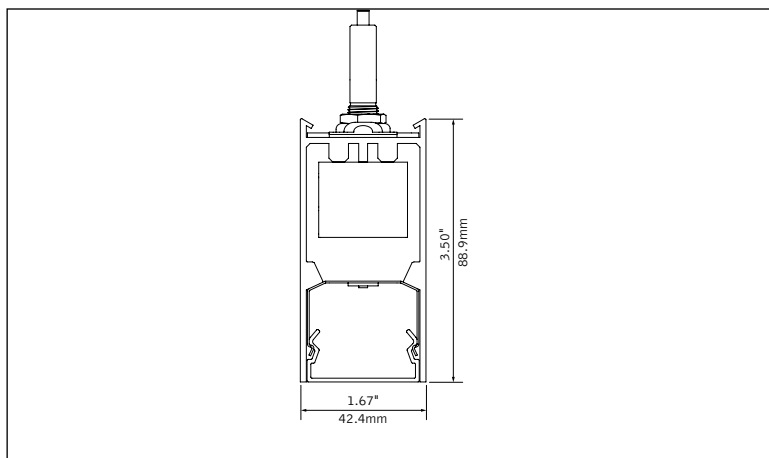


Photometric performance is measured in accordance with IESNA LM-79. Visit focalpointlights.com for complete photometric data.

fixture:

project:

STANDARD LENS DIMENSIONAL DATA



4' STANDARD LENS PERFORMANCE CHART

Distribution	Lumen Output	Tested System Watts	BW		FL/DC	
			Delivered lumens	LPW	Delivered lumens	LPW
Direct	1000	11	1068	97	1013	92
	2000	20	2104	105	1994	100
	3000	30	3183	105	3017	99
	4000	40	4218	106	3998	101
	5000	49	5297	109	5020	103
Indirect	2000	15	1927	128	1975	131
	3000	23	2941	129	3012	132
	4000	30	3901	130	3994	133
	5000	37	4861	132	4976	135
	6400	46	6248	134	6395	138
	8000	58	7795	135	7977	139
	9000	65	8809	136	9014	139

6' STANDARD LENS PERFORMANCE CHART

Distribution	Lumen Output	Tested System Watts	BW		FL/DC	
			Delivered lumens	LPW	Delivered lumens	LPW
Direct	1500	15	1586	102	1503	97
	3000	30	3183	105	3017	99
	4500	44	4736	108	4489	103
	6000	58	6332	109	6002	104
	7500	72	7928	110	7515	104
Indirect	3000	23	2941	128	3012	131
	4500	33	4381	131	4485	134
	6000	44	5875	134	6013	137
	7500	54	7315	135	7486	138
	9600	69	9396	136	9614	139
	12000	88	11743	134	12015	137
	13500	98	13184	134	13488	137

Based on 3500K. Lumen multipliers: 90 CRI = 0.87. Delivered lumens may vary +/- 5%. Actual wattage may vary +/- 5%.

LIT END CAP PERFORMANCE CHART

Direct Lumen Output		Delivered Lumens Per End Cap
4'	6'	
1000	1500	94
2000	3000	188
3000	4500	281
4000	6000	375
5000	7500	469

Based on 3500K. Lumen multipliers: 90 CRI = 0.87. Delivered lumens may vary +/- 5%. Actual wattage may vary +/- 5%.

Focal Point LLC reserves the right to change specifications for product improvement without notification.

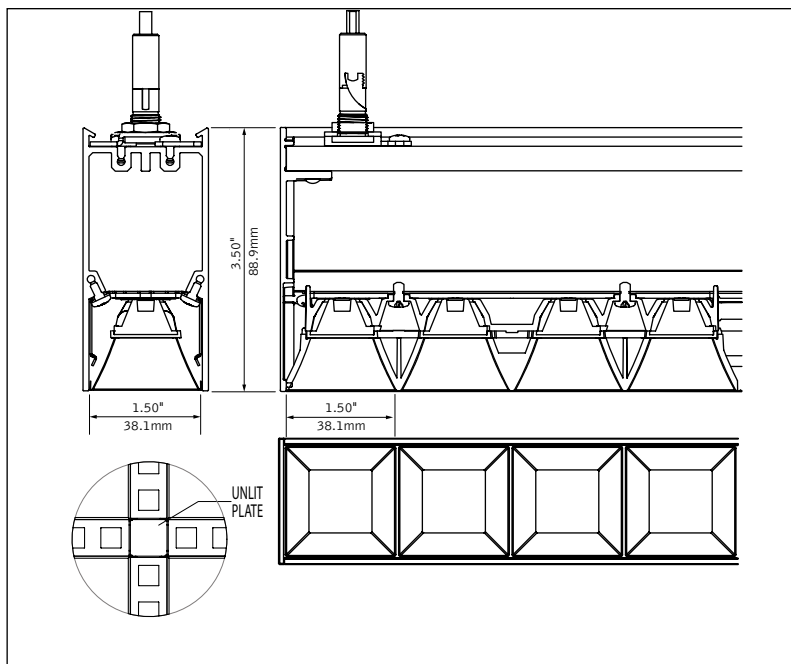
STANDARD LENS ORDERING

Luminaire Series	FSM1FBP		
Seem 1 Pendant Direct/Indirect	FSM1FBP		
Profile	Q		
Quartet	Q		
Nominal Size			
4' Diameter (2' arms)	4		
6' Diameter (3' arms)	6		
Shielding			
Batwing Optic top/Flush Lens bottom	BWFL		
Batwing Optic top/Batwing Lens bottom	BWBW		
Dust Cover top/Flush Lens bottom	DCFL		
Dust Cover top/Batwing Lens bottom	DCBW		
Lumen Output			
4' Diameter	1000 Lumens	1000	
	2000 Lumens	2000	
	3000 Lumens	3000	
	4000 Lumens	4000	
	5000 Lumens	5000	
	6400 Lumens	6400	
	8000 Lumens	8000	
	9000 Lumens	9000	
	6' Diameter	1500 Lumens	1500
		3000 Lumens	3000
4500 Lumens		4500	
6000 Lumens		6000	
7500 Lumens		7500	
9600 Lumens		9600	
12000 Lumens		12000	
13500 Lumens	13500		
Direct Lensed Distribution	DN		
(4ft max. 5000. 6ft max. 7500)			
Indirect Distribution	UP		
(4ft min. 2000. 6ft min. 3000)			
Color Temperature			
2700K, 80+ CRI or 90+ CRI	27K or 927K		
3000K, 80+ CRI or 90+ CRI	30K or 930K		
3500K, 80+ CRI or 90+ CRI	35K or 935K		
4000K, 80+ CRI or 90+ CRI	40K or 940K		
Circuits			
Single Circuit	1C		
Dual Circuit	2C		
(Independent control of Direct and Indirect sources)			
Voltage			
120/277 UNV Volt	UNV		
347 Volt (LD1 driver only)	347		
Low Voltage	LV		
Control System & Dimming Level			
0-10V - 10% Dimming	LD1		
0-10V - 1% Dimming	L11		
Low Voltage, PoE compatible	LVN		
(No driver. Not available with EM or EC. LV Voltage only)			
Lutron Hi-Lume EcoSystem (LDE1) - 1% Dimming	LH1		
DALI 1% Dimming	D11		
Mounting			
(Specify canopy color, see finishes page for options. The Naturals available with Multi-point suspension only. Example: White = J24WH.)			
48" Cable Single Suspension	CC48__ or CE48__		
(Power cord at intersection CC or power cord at end CE)			
96" Cable Single Suspension	CC96__ or CE96__		
(Power cord at intersection CC or power cord at end CE)			
24" Cable Multi-point Suspension	J24__		
48" Cable Multi-point Suspension	J48__		
96" Cable Multi-point Suspension	J96__		
(Consult factory for sloped ceiling applications.)			
Factory Options			
Black Cord	BKCD		
Lit End Caps	LE		
(FL shielding only. Not available with The Naturals. Not recommended with Black housing.)			
Emergency Circuit	EC		
Emergency Battery Pack (120/277 Volt only)	EM		
Housing Finish			
(See finishes page for The Naturals options)			
Matte Black	BK		
Titanium Silver	TS		
Matte White Housing	WH		

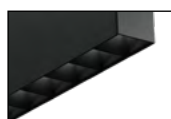
fixture:

project:

LOUVER DIMENSIONAL DATA



4' Single Canopy, Matte Black housing and Black Specular louver



Black Specular Louver



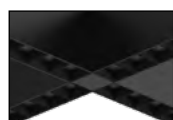
Matte Black Louver



Matte White Louver



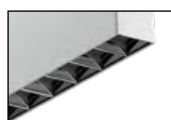
Clear Diffuse Louver



Center detail

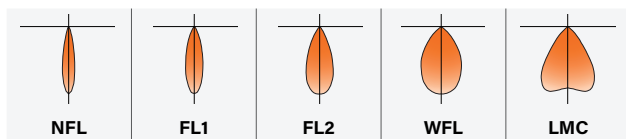


Emergency detail



Clear Specular Louver

LOUVER DISTRIBUTIONS



	NFL	FL1	FL2	WFL	LMC
Beam Spread	20°	29°	43°	67°	68°
Spacing Criteria	0.36	0.50	0.70	0.98	1.18

PERFORMANCE CHART

See page 6

Focal Point LLC reserves the right to change specifications for product improvement without notification.

LOUVER ORDERING

Luminaire Series

Seem 1 Pendant Direct/Indirect **FSM1FBP**

FSM1FBP

Profile

Quartet **Q**

Nominal Size

4' Diameter (2' arms) **4**

6' Diameter (3' arms) **6**

Shielding

Batwing Optic top/Fully Louvered bottom **BWFC**

Dust Cover top/Fully Louvered bottom **DCFC**

Lumen Output

4' Diameter	Lumen Output	Value
	2000 Lumens	2000
	3000 Lumens	3000
	4000 Lumens	4000
	5000 Lumens	5000
	6000 Lumens	6000DN
	6400 Lumens	6400UP
	7000 Lumens	7000
	8000 Lumens	8000
	9000 Lumens	9000

6' Diameter	Lumen Output	Value
	3000 Lumens	3000
	4500 Lumens	4500
	6000 Lumens	6000
	7500 Lumens	7500
	9000 Lumens	9000DN
	9600 Lumens	9600UP
	10500 Lumens	10500DN
	12000 Lumens	12000
	13500 Lumens	13500UP

Direct Lensed Distribution

(4ft max. 8000, 6400 not available. 6ft max. 12000, 9600 & 13500 not available.)

Indirect Distribution

(4ft. not available with 6000. 6ft not available with 9000 or 10500.)

Color Temperature

2700K, 80+ CRI or 90+ CRI	27K or 927K
3000K, 80+ CRI or 90+ CRI	30K or 930K
3500K, 80+ CRI or 90+ CRI	35K or 935K
4000K, 80+ CRI or 90+ CRI	40K or 940K

Circuits

Single Circuit **1C**

Dual Circuit **2C**

(Independent control of Direct and Indirect sources)

Voltage

120/277 UNV Volt **UNV**

347 Volt (LD1 driver only) **347**

Low Voltage **LV**

Control System & Dimming Level

0-10V - 10% Dimming **LD1**

0-10V - 1% Dimming **L11**

Low Voltage, PoE compatible **LVN**

(No driver. Not available with EM or EC. LV Voltage only.)

Lutron Hi-Lume EcoSystem (LDE1) -

1% Dimming **LH1**

DALI 1% Dimming **D11**

Mounting

(Specify canopy color, see finishes page for options. The Naturals available with Multi-point suspension only. Example: White = J24WH.)

48" Cable Single Suspension **CC48_ or CE48_**

(Power cord at intersection CC or power cord at end CE)

96" Cable Single Suspension **CC96_ or CE96_**

(Power cord at intersection CC or power cord at end CE)

24" Cable Multi-point Suspension **J24_**

48" Cable Multi-point Suspension **J48_**

96" Cable Multi-point Suspension **J96_**

(Consult factory for sloped ceiling applications.)

Louver Distribution

Narrow Flood **NFL**

Flood 1 **FL1**

Flood 2 **FL2**

Wide Flood **WFL**

Louvered Mixing Chamber **LMC**

Factory Options

Black Cord **BKCD**

Emergency Circuit **EC**

Emergency Battery Pack (120/277 Volt only.) **EM**

Louver Finish

Matte Black **BK**

Black Specular **BS**

Clear Diffuse **CD**

Clear Specular **CS**

Matte White **WH**

Housing & Faceplate Finish

(See finishes page for The Naturals options)

Matte Black **BK**

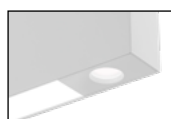
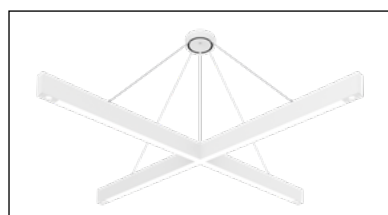
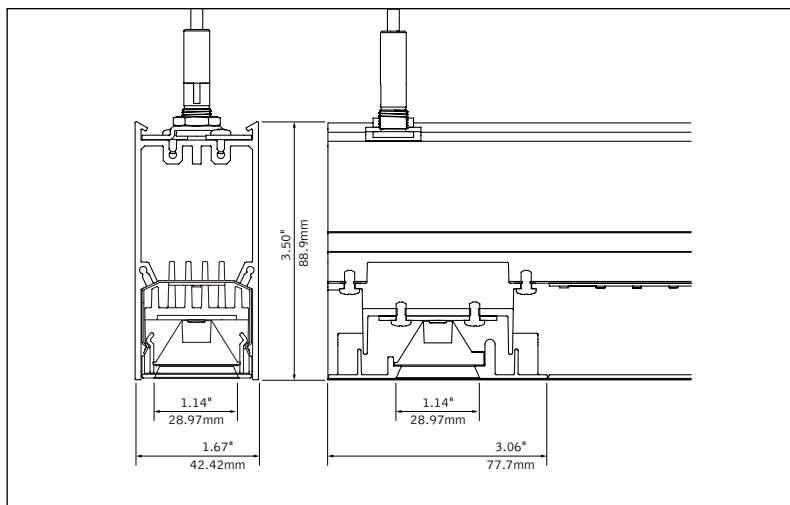
Titanium Silver **TS**

Matte White Housing **WH**

fixture:

project:

POINT SOURCE DIMENSIONAL DATA



Matte White



Matte Black

PERFORMANCE CHART (POINT SOURCE)

Distribution	Beamsread	Point Source Lumens	Delivered Lumens	Tested Watts	LPW
 Narrow Flood (NFL)	21°	250L	258.1	3.2	81.2
		350L	359.8	4.3	82.9
		450L	457.5	5.7	80.2
 Flood 1 (FL1)	28°	250L	253.7	3.2	79.8
		350L	353.6	4.3	81.5
 Flood 2 (FL2)	42°	250L	248.6	3.2	78.2
		350L	346.4	4.3	79.8
 Wide Flood (WFL)	53°	250L	241.9	3.2	76.1
		350L	337.1	4.3	77.7
		450L	428.9	5.7	75.2

Based on 3500K. Lumen output may vary +/- 5%. Actual wattage may vary +/- 5%

LENSED AREA PERFORMANCE CHART

See page 6

POINT SOURCE ORDERING

Luminaire Series

Seem 1 Pendant Direct/Indirect FSM1FBP

Profile

Quartet Q

Nominal Size

4' Diameter (2' arms) 4

6' Diameter (3' arms) 6

Shielding

Batwing Optic top/ Flush Lens + Point Source Ends bottom BWFLPSE

Batwing Optic top/ Batwing Lens + Point Source bottom BWBWPSE

Dust Cover top/ Flush Lens + Point Source Ends bottom DCFLPSE

Dust Cover top/ Batwing Lens + Point Source Ends bottom DCBWPSE

Point Source Lumens

250 Lumens 250L

350 Lumens 350L

450 Lumens 450L

Point Source Distribution

Narrow Flood NFL

Flood 1 FL1

Flood 2 FL2

Wide Flood WFL

Direct Lensed Distribution

4' Diameter 880 Lumens 880DN

1760 Lumens 1760DN

2640 Lumens 2640DN

3520 Lumens 3520DN

4400 Lumens 4400DN

6' Diameter 1380 Lumens 1380DN

2760 Lumens 2760DN

4140 Lumens 4140DN

5520 Lumens 5520DN

6900 Lumens 6900DN

Indirect Distribution

4' Diameter 2000 Lumens 2000UP

3000 Lumens 3000UP

4000 Lumens 4000UP

5000 Lumens 5000UP

6400 Lumens 6400UP

8000 Lumens 8000UP

6' Diameter 3000 Lumens 3000UP

4500 Lumens 4500UP

6000 Lumens 6000UP

7500 Lumens 7500UP

9600 Lumens 9600UP

12000 Lumens 12000UP

13500 Lumens 13500UP

Color Temperature

2700K, 80+ CRI or 90+ CRI 27K or 927K

3000K, 80+ CRI or 90+ CRI 30K or 930K

3500K, 80+ CRI or 90+ CRI 35K or 935K

4000K, 80+ CRI or 90+ CRI 40K or 940K

Circuits

Single Circuit 1C

Dual Circuit 2C

(Independent control of Direct and Indirect sources)

Triple Circuit 3C

(Independent control of all sources only. Consult factory for Single Suspension options CC or CE.)

Voltage

120/277 UNV Volt UNV

347 Volt (LD1 driver only) 347

Low Voltage LV

Control System & Dimming Level

0-10V - 10% Dimming LD1

0-10V - 1% Dimming L11

Low Voltage, PoE compatible LVN (No driver. Not available with EM or EC. LV Voltage only.)

Lutron Hi-Lume EcoSystem (LDE1) - LH1

1% Dimming

DALI 1% Dimming D11

Mounting

(Specify canopy color, see finishes page for options. The Naturals available with Multi-point suspension only

Example: White = J24WH.)

48" Cable Single Suspension CC48__ or CE48__ (Power cord at intersection CC or power cord at end CE)

96" Cable Single Suspension CC96__ or CE96__ (Power cord at intersection CC or power cord at end CE)

24" Cable Multi-point Suspension J24__

48" Cable Multi-point Suspension J48__

96" Cable Multi-point Suspension J96__ (Consult factory for sloped ceiling applications.)

Factory Options

Black Cord BKCD

Emergency Circuit EC

Emergency Battery Pack (120/277 Volt only.) EM

Housing & Faceplate Finish

Matte Black BK

Titanium Silver TS

Matte White Housing WH

SPECIFICATIONS

LED System

Proprietary linear LED module incorporates premium LEDs on a robust platform to achieve excellent thermal management. LEDs are placed to promote a uniform appearance. Available in 2700K, 3000K, 3500K or 4000K with both 80 and 90 CRI options. 3500K and 4000K with CRI>90 have a cyanosis observation index (COI) of 3.3 or less. LED modules and drivers are replaceable from below. Color accuracy <3 SDCM.

Construction

Extruded aluminum housing. Cast aluminum end caps. Luminaire will not exceed 21lbs.

Optic

Reflectors fabricated of 22 Ga. steel finished in High Reflectance White powder coat. Extruded acrylic lens .085" thick with frosted finish. 60-degree cut-off to louvered light source and its image.

Electrical

Luminaires are pre-wired with factory installed branch circuit wiring and over-molded quick connects. Standard 120-277V constant current driver includes 0-10V analog dimming. Power factor > .9. PoE compatible; Integrates with Power over Ethernet lighting systems via standard, low-voltage wires. PoE runs require an independent PoE node and power feed for each luminaire section.

Emergency Battery

Emergency output - 10 watts for 90 minutes. Maximum mounting height: 18.5ft.

Labels

UL and cUL listed. Suitable for Dry or Damp Locations, indoor use only.

Finish

Polyester powder coat applied over a multi-stage pre-treatment. Canopy and cord white as standard. The Naturals: 100% low VOC vinyl.

Lumen Maintenance

Lensed Source

Reported: L70 at >61,000 hours	Calculated: L70 at 470,000 hours
L90 at >61,000 hours	L90 at 115,000 hours

Louvered Sources

Reported: L70 at >54,000 hours	Calculated: L70 at 138,000 hours
L90 at 43,000 hours	L90 at 43,000 hours

Point Sources

Reported: L70 at >55,000 hours	Calculated: L70 at 226,000 hours
L90 at 54,000 hours	L90 at 54,000 hours

Derived from EPA TM-21 calculator. Based on typical conditions, consult factory for additional data.

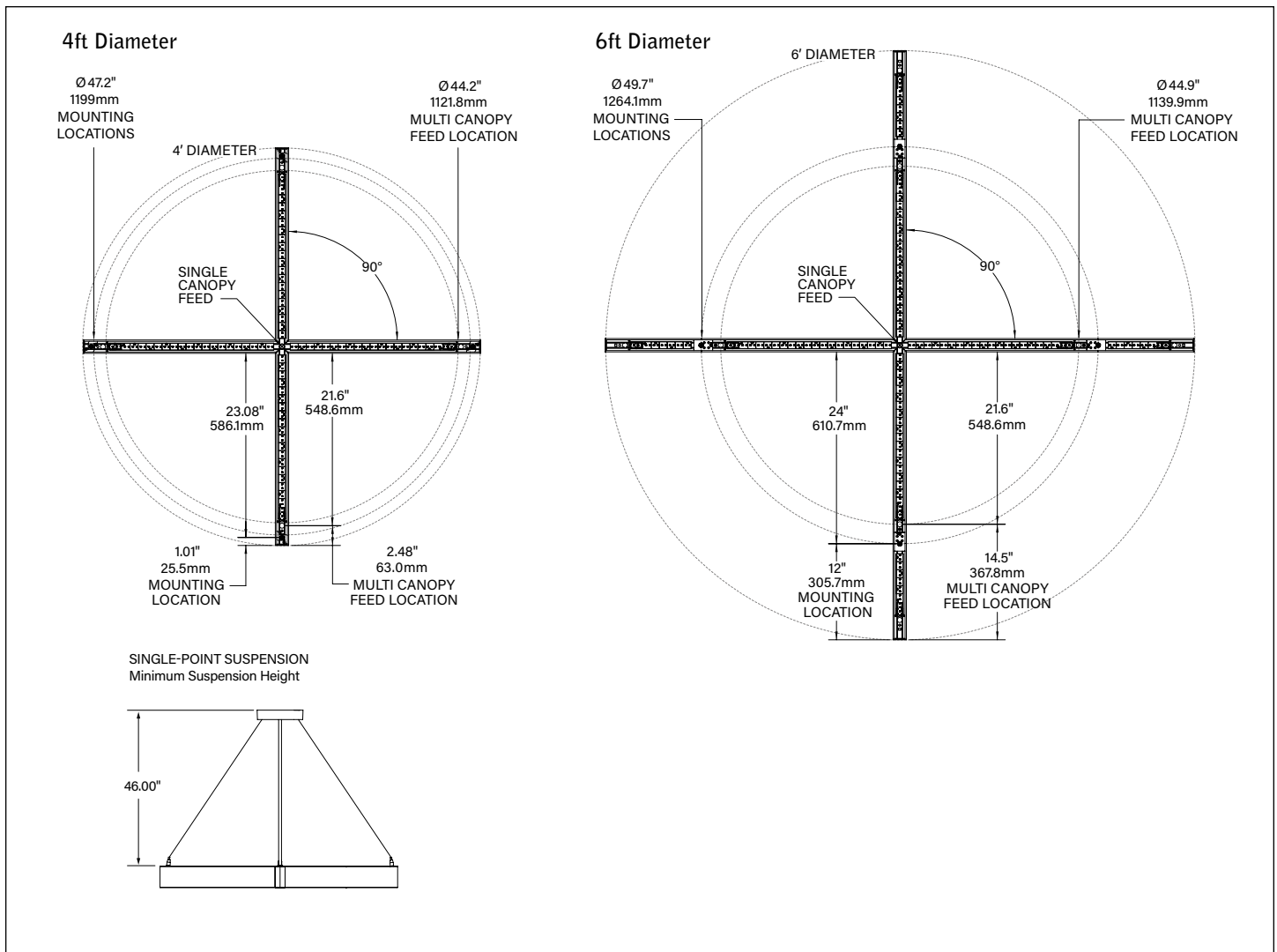
Reliability

At Focal Point, our products are designed to stand the test of time. Each luminaire is engineered using superior components, manufactured with the utmost care and rigorously tested. Contact us for reliability data.

Warranty

LED system rated for operation in ambient environments up to 25°C. 5-year limited warranty.

MOUNTING DETAILS



4' LOUVERED PERFORMANCE CHART

Distribution	Lumen Output	Tested System Watts	NFL		FL1		FL2		WFL		LMC		BW		DC	
			Delivered Lumens	LPW	Delivered Lumens	LPW	Delivered Lumens	LPW	Delivered Lumens	LPW	Delivered Lumens	LPW	Delivered Lumens	LPW	Delivered Lumens	LPW
Direct	2000	16.4	2704	136	2301	116	2440	123	2013	102	1947	98				
	3000	23.4	3999	141	3403	120	3610	128	2977	105	2879	102				
	4000	32.0	5513	145	4691	123	4976	131	4104	108	3969	104				
	5000	39.7	6894	150	5867	127	6222	135	5132	111	4963	108				
	6000	46.7	8147	151	6933	129	7353	136	6065	113	5865	109				
	7000	54.4	9388	150	7989	128	8474	136	6988	112	6759	108				
	8000	62.2	10728	151	9130	128	9684	136	7986	112	7724	109				
Indirect	2000	15											1927	128	1975	131
	3000	23											2941	129	3012	132
	4000	30											3901	130	3994	133
	5000	37											4861	132	4976	135
	6400	46											6248	134	6395	138
	8000	58											7795	135	7977	139
	9000	65											8809	136	9014	139

Based on 3500K, 80 CRI. Delivered lumens may vary +/- 5%. Actual wattage may vary +/- 5%

6' LOUVERED PERFORMANCE CHART

Distribution	Lumen Output	Tested System Watts	NFL		FL1		FL2		WFL		LMC		BW		DC	
			Delivered Lumens	LPW	Delivered Lumens	LPW	Delivered Lumens	LPW	Delivered Lumens	LPW	Delivered Lumens	LPW	Delivered Lumens	LPW	Delivered Lumens	LPW
Direct	3000	29.8	4055	136	3451	116	3661	123	3019	101	2920	98				
	4500	41.5	5998	145	5105	123	5414	131	4465	108	4319	104				
	6000	55.3	8269	150	7037	127	7464	135	6156	111	5953	108				
	7500	68.1	10340	152	8800	129	9334	137	7698	113	7445	109				
	9000	82.8	12220	148	10399	126	11030	133	9097	110	8798	106				
	10500	94.7	14081	149	11983	127	12710	134	10483	111	10138	107				
	12000	107.6	16092	150	13695	127	14526	135	11980	111	11586	108				
Indirect	3000	23											2941	128	3012	131
	4500	33											4381	131	4485	134
	6000	44											5876	134	6013	137
	7500	54											7315	135	7486	138
	9600	69											9396	136	9614	139
	12000	88											11743	134	12015	137
	13500	98											13184	134	13488	137

Based on 3500K, 80 CRI. Delivered lumens may vary +/- 5%. Actual wattage may vary +/- 5%

Louwer Color Temperature & CRI

Color Temperature	Multiplier
2700K, 80+ CRI [27K]	0.95
2700K, 90+ CRI [927K]	0.80
3000K, 80+ CRI [30K]	0.97
3000K, 90+ CRI [930K]	0.83
3500K, 80+ CRI [35K]	1.00
3500K, 90+ CRI [935K]	0.85
4000K, 80+ CRI [40K]	1.03
4000K, 90+ CRI [940K]	0.87

Louwer Finish

Color	Multiplier
Matte Black [BK]	1.00
Black Specular [BS]	1.00
Clear Diffuse [CD]	1.07
Clear Specular [CS]	1.10
Matte White [WH]	1.11

Louwer Distribution

Distribution	Multiplier
Narrow Flood [NFL]	1.34
Flood 1 [FL1]	1.14
Flood 2 [FL2]	1.21
Wide Flood [WFL]	1.00
Louvered Mixing Chamber [LMC]	0.97

How To Use Lumen Multipliers

Formula: (Lumen Output Value) x (Color Temperature & CRI) x (Distribution) x (Finish)

4' POINT SOURCE PERFORMANCE CHART (LENSED AREA)

Distribution	Lumen Output	Tested System Watts	BW		FL/DC	
			Delivered lumens	LPW	Delivered lumens	LPW
Direct	880	10	939	95	890	90
	1760	18	1845	104	1749	99
	2640	27	2794	104	2648	99
	3520	35	3700	106	3507	100
	4400	43	4649	108	4407	102
Indirect	2000	15	1927	128	1975	131
	3000	23	2941	129	3012	132
	4000	30	3901	130	3994	133
	5000	37	4861	132	4976	135
	6400	46	6248	134	6395	138
	8000	58	7795	135	7977	139
	9000	65	8809	136	9014	139
	10000	72	9769	136	9996	139





Based on 3500K. Lumen multipliers: 90 CRI = 0.87. Delivered lumens may vary +/- 5%. Actual wattage may vary +/- 5%

6' POINT SOURCE PERFORMANCE CHART (LENSED AREA)

Distribution	Lumen Output	Tested System Watts	BW		FL/DC	
			Delivered lumens	LPW	Delivered lumens	LPW
Direct	1380	14	1457	101	1381	96
	2760	28	2924	104	2771	99
	4140	41	4347	106	4121	101
	5520	53	5814	109	5511	103
	6900	66	7281	110	6902	104
Indirect	3000	23	2941	128	3012	131
	4500	33	4381	131	4485	134
	6000	44	5875	134	6013	137
	7500	54	7315	135	7486	138
	9600	69	9396	136	9614	139
	12000	88	11743	134	12015	137
	13500	98	13184	134	13488	137
	15000	109	14677	135	15016	138

Based on 3500K. Lumen multipliers: 90 CRI = 0.87. Delivered lumens may vary +/- 5%. Actual wattage may vary +/- 5%

PERFORMANCE CHART (POINT SOURCE)

Distribution	Beamspread	Point Source Lumens	Delivered Lumens	Tested Watts	LPW
 Narrow Flood (NFL)	21°	250L	258	3.2	81.2
		350L	360	4.3	82.9
		450L	458	5.7	80.2
 Flood 1 (FL1)	28°	250L	254	3.2	79.8
		350L	354	4.3	81.5
		450L	450	5.7	78.9
 Flood 2 (FL2)	42°	250L	249	3.2	78.2
		350L	346	4.3	79.8
		450L	441	5.7	77.3
 Wide Flood (WFL)	53°	250L	242	3.2	76.1
		350L	337	4.3	77.7
		450L	429	5.7	75.2

Based on 3500K. Lumen output may vary +/- 5%. Actual wattage may vary +/- 5%

Finishes

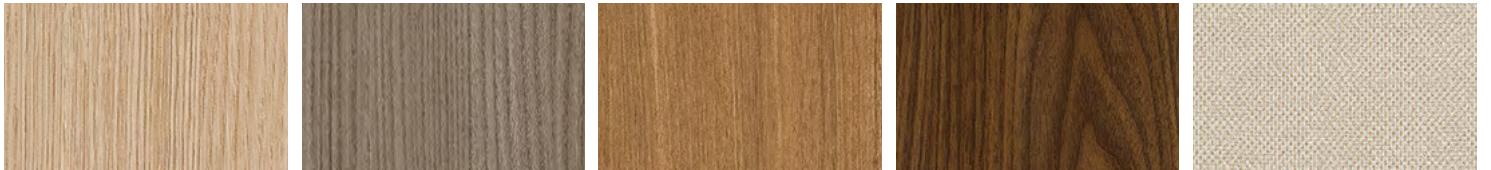


STANDARD FINISHES



WHITE WH BLACK BK TITANIUM SILVER TS

THE NATURALS (25% SCALE)



LIGHT OAK LOK GRAY ELM GRE CHESTNUT CHT WALNUT WLT WOVEN LINEN WLN