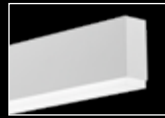


Seem[®] 1

LED DIRECT/INDIRECT WALL MOUNT



FOCAL POINT[®]

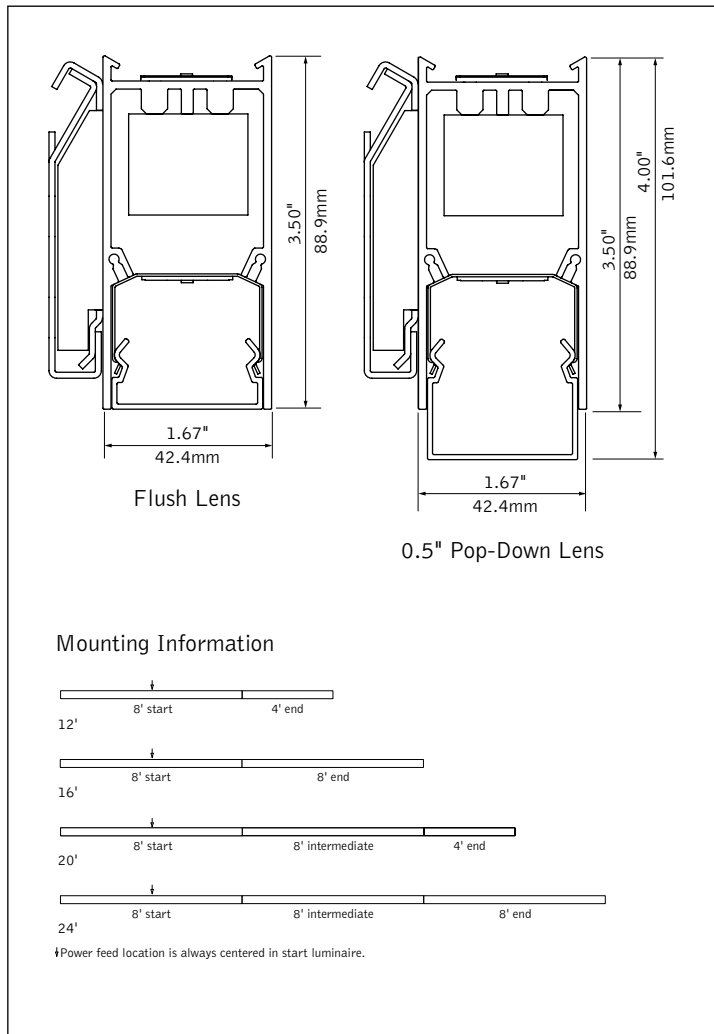


Pop-Down Lens



Corner detail

DIMENSIONAL DATA



FEATURES

Narrow extruded aluminum 1.5" linear direct/indirect wall mount LED.

Individual units and continuous runs in 1" increments.

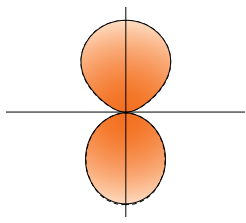
Frosted acrylic lens provides uninterrupted illumination, without pixels or shadows.

LED position and lens material optimized to provide the perfect blend of high performance and visual comfort.

Choice of output levels to meet a wide variety of application needs.

Preferred Light: Lighting for better color rendition and human preference.

PERFORMANCE



PRODUCT OVERVIEW

Lumen Output: 1000-6500lm

Wattage: 13-63W

LPW: 88-122

SDCM: 3

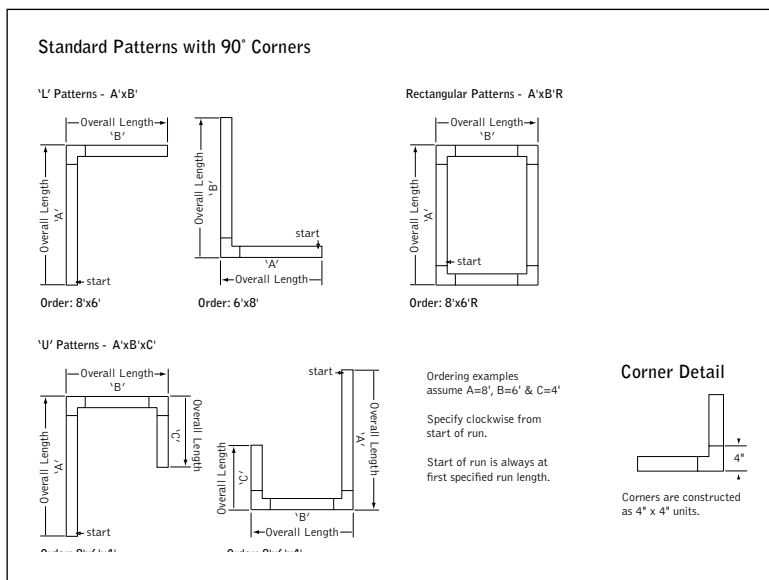
**4' Dust Cover Flush Lens
625DN/625UP**

Delivered Lumens: 5000lm

Total System Watts: 48W

Photometric performance is measured in accordance with IESNA LM-79.
Visit focalpointlights.com for complete photometric data.

DETAILS



SPECIFICATIONS

LED System

Proprietary linear LED module incorporates premium LEDs on a robust platform to achieve excellent thermal management. LEDs are placed to promote a uniform appearance. Available in 3000K, 3500K or 4000K with both 80 and 90 CRI options. LED modules and drivers are replaceable from below. Color accuracy <3 SDCM.

Construction

One piece extruded aluminum housing. Cast aluminum end caps. 8' unit weight: 15lbs.

Optic

Reflectors fabricated of 22 Ga. steel finished in High Reflectance White powder coat. Extruded acrylic lens .07" thick with frosted finish, up to 8' continuous.

Electrical

Luminaires are pre-wired with factory installed branch circuit wiring and over-molded quick connects. Standard 120-277V constant current driver includes 0-10V analog dimming. Power factor > .9.

Emergency Battery

Emergency output - 10 watts for 90 minutes. See EM/EC Guide for default locations and ordering details.

Labels

UL and cUL listed. Suitable for Dry or Damp Locations, indoor use only.

Finish

Polyester powder coat applied over a multi-stage pre-treatment.

Lumen Maintenance

Reported: L70 at >61,000 hours Calculated: L70 at 470,000 hours
 L90 at >61,000 hours L90 at 115,000 hours
 Derived from EPA TM-21 calculator. Based on typical conditions, consult factory for additional data.

Reliability

At Focal Point, our products are designed to stand the test of time. Each luminaire is engineered using superior components, manufactured with the utmost care and rigorously tested. Contact us for reliability data.

Warranty

LED system rated for operation in ambient environments up to 25°C. 5-year limited warranty.

4' PERFORMANCE CHART

See page 3

ORDERING

Luminaire Series	FSM1BW
Seem 1 LED	FSM1BW
Shielding	
Dust Cover top/Flush lens bottom	DCFL
Dust Cover top/Pop-Down Lens bottom	DCPD05
Direct Distribution	
125 Lumens per foot <small>(Consult factory for Lutron and DALI)</small>	125DN
250 Lumens per foot	250DN
375 Lumens per foot	375DN
500 Lumens per foot	500DN
625 Lumens per foot	625DN
Indirect Distribution	
125 Lumens per foot <small>(Consult factory for Lutron and DALI)</small>	125UP
250 Lumens per foot	250UP
375 Lumens per foot	375UP
500 Lumens per foot	500UP
625 Lumens per foot	625UP
800 Lumens per foot <small>(Not available with DALI)</small>	800UP
1000 Lumens per foot <small>(Not available with DALI)</small>	1000UP
Color Temperature	
3000K, 80CRI or 90 CRI	30K or 930K
3500K, 80CRI or 90 CRI	35K or 935K
4000K, 80CRI or 90 CRI	40K or 940K
3500K, Preferred Light	P35K
Circuit	
Single Circuit	1C
Dual Circuit	2C
Voltage	
120/277 UNV Volt	UNV
347 Volt <small>(LD1 driver only)</small>	347
Control System & Dimming Level	
0-10V - 10% Dimming	LD1
0-10V - 1% Dimming	L11
Lutron Hi-Lume EcoSystem (LDE1) - 1% Dimming	LH1
Lutron 5-Series EcoSystem (LDE5) - 5% Dimming	LU5
DALI 1% Dimming <small>(625 lumens per foot max)</small>	D11
Mounting	WM
Wall Mount	WM
Factory Options	
Emergency Circuit	_EC
Emergency Battery Pack <small>(5' minimum length. See EM/EC Guide for default locations and ordering details.)</small>	_EM
Finish	
Black	BK
Titanium Silver	TS
Matte White Housing	WH
Luminaire Length	ft in
Specify luminaire/row length in 1" increments	_ft_in
<small>(4' minimum. Leave blank for patterns. Smaller increments available, consult factory.)</small>	
Pattern Options <small>(4' minimum length)</small>	
'L' pattern	A' x B'
'U' pattern	A' x B' x C'
Rectangular pattern <small>(Consult factory for other pattern options)</small>	A' x B' R

4' PERFORMANCE CHART - DUST COVER TOP/FLUSH LENS BOTTOM

Direct Distribution (Flush Lens)	Indirect Distribution (Dust Cover)	Distribution % (Direct/Indirect)	Total Delivered Lumens	Tested System Watts	LPW
125DN	125UP	50/50	1000	12.5	88
	250UP	33/67	1500	16.9	104
	375UP	25/75	2000	21.3	112
	500UP	20/80	2500	25.6	116
	625UP	17/83	3000	30.5	119
	800UP	14/86	3700	36.6	122
	1000UP	11/89	4500	45.1	120
250DN	125UP	67/33	1500	16.4	100
	250UP	50/50	2000	20.8	110
	375UP	40/60	2500	25.2	116
	500UP	33/67	3000	29.5	119
	625UP	29/71	3500	34.4	121
	800UP	24/76	4200	40.5	123
	1000UP	20/80	5000	49.0	121
375DN	125UP	75/25	2000	20.6	103
	250UP	60/40	2500	25.0	111
	375UP	50/50	3000	29.4	116
	500UP	43/57	3500	33.7	119
	625UP	38/62	4000	38.6	121
	800UP	32/68	4700	44.7	123
	1000UP	25/75	5500	53.2	121
500DN	125UP	80/20	2500	25.0	105
	250UP	67/33	3000	29.4	111
	375UP	57/43	3500	33.8	115
	500UP	50/50	4000	38.1	118
	625UP	44/56	4500	43.0	120
	800UP	38/62	5200	49.1	122
	1000UP	33/67	6000	57.6	120
625DN	125UP	83/17	3000	30.2	103
	250UP	71/29	3500	34.6	109
	375UP	60/40	4000	39.0	113
	500UP	56/44	4500	43.3	115
	625UP	50/50	5000	48.2	117
	800UP	44/56	5700	54.3	119
	1000UP	35/65	6500	62.8	118

*Based on 3500K, 4' lengths. Lumen Multipliers: Pop-Down Lens = 1.01, Preferred Light = 0.65, 90 CRI = 0.87. Lumen output may vary +/- 5%. Actual wattage may vary +/- 5%.