

# skydome™ suspended

FSD-22|33|44



FOCAL POINT®

FOCAL POINT



STEM MOUNT SEE PAGE TWO FOR ADDITIONAL MOUNTING INSTRUCTIONS.

KEY



POWER OFF



POWER ON



ATTENTION

<b>2' DIAMETER</b>	<b>1</b>		<b>2</b>		<b>3</b>	<p>(2) 2' Lamps BIAX</p>
--------------------	----------	--	----------	--	----------	------------------------------

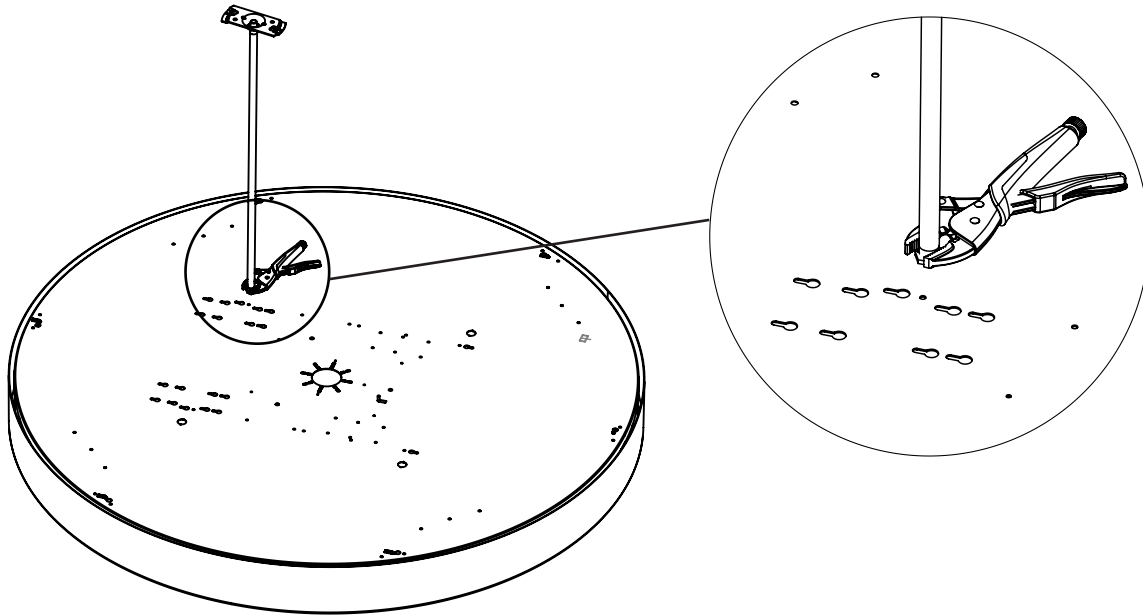
<b>3' DIAMETER</b>	<b>1</b>		<b>2</b>		<b>3</b>	<p>(6) 2' Lamps T5 OR T5H0</p>
--------------------	----------	--	----------	--	----------	------------------------------------

<b>4' DIAMETER</b>	<b>1</b>		<b>2</b>		<b>3</b>	<p>(4) 2' Lamps &amp; (3) 3' Lamps T5 OR T5H0</p>
--------------------	----------	--	----------	--	----------	---

Luminaires must be installed by a qualified electrician (check with local and national codes for proper installation).  
To prevent electrical shock, disconnect electrical supply before installation or servicing.



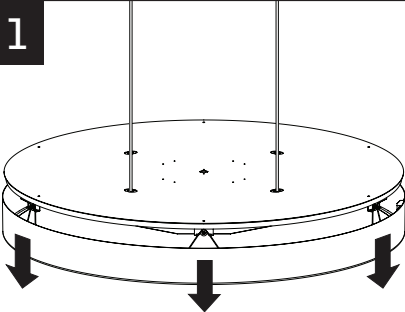
STEM MOUNT ONLY, FOR EACH MOUNTING LOCATION



1. ATTACH THE STEM TO COVER. DO NOT OVER TIGHTEN STEM, THIS MAY CAUSE PINCHED WIRES.
2. USING PLIERS, SECURELY TIGHTEN LOCK NUT. STEM MUST BE SECURELY TIGHTENED AND UNABLE TO SPIN LOOSE.

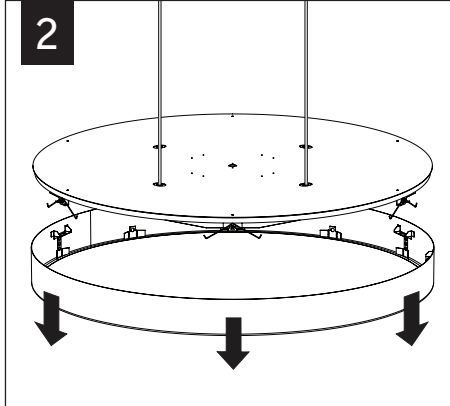
## BALLAST SERVICE

1

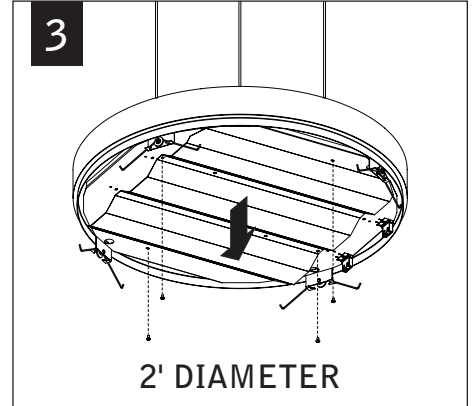


 TIGHT FIT, MULTIPLE PEOPLE REQUIRED.

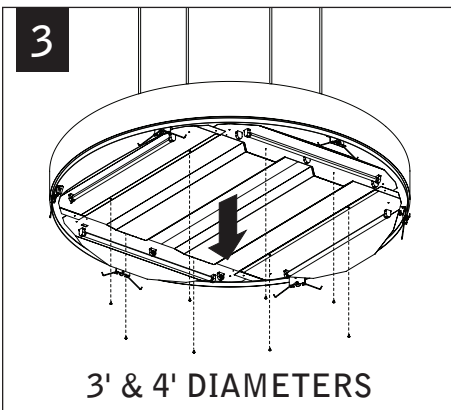
2



3



3



## EMERGENCY



SEE BATTERY MANUFACTURER INSTRUCTIONS

EMERGENCY MAXIMUM MOUNTING HEIGHT:  
8.00'