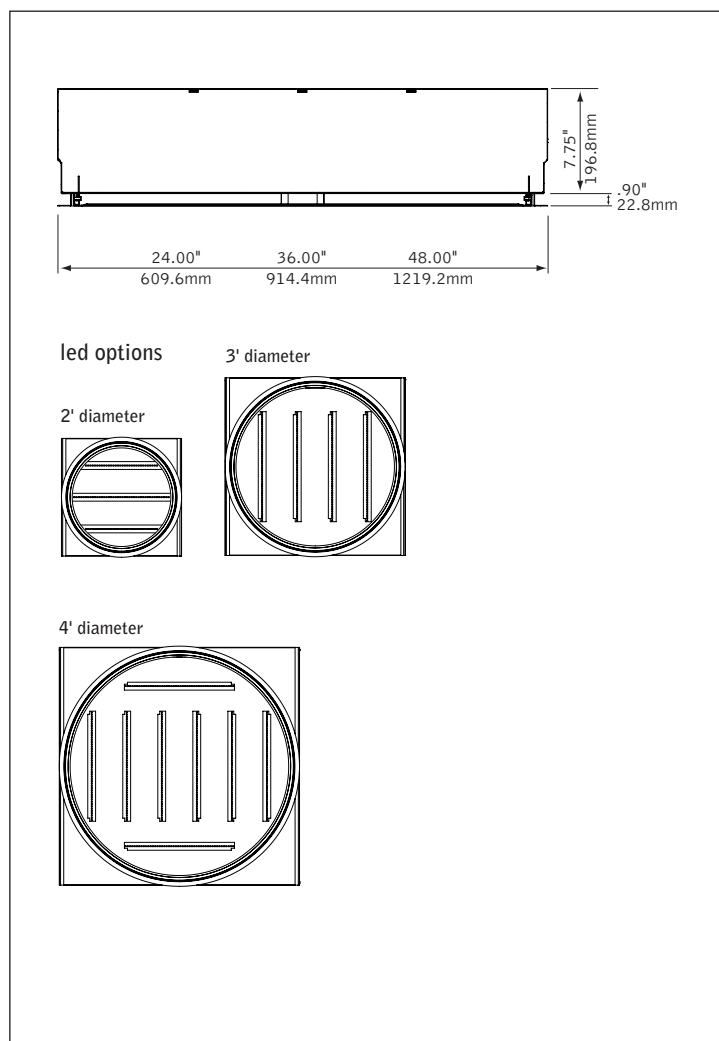




DIMENSIONAL DATA



FEATURES

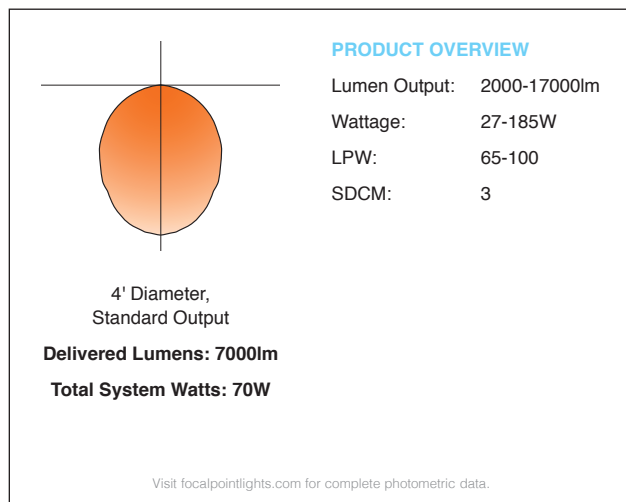
2', 3' and 4' diameter recessed direct LED with lens.

Frosted acrylic diffuser provides high transmission and uniform distribution.

Universal ceiling trim rings are suitable for both grid & drywall applications.

Skydome™ is an excellent choice for open public spaces such as concourses, lobbies, reception areas and meeting rooms.

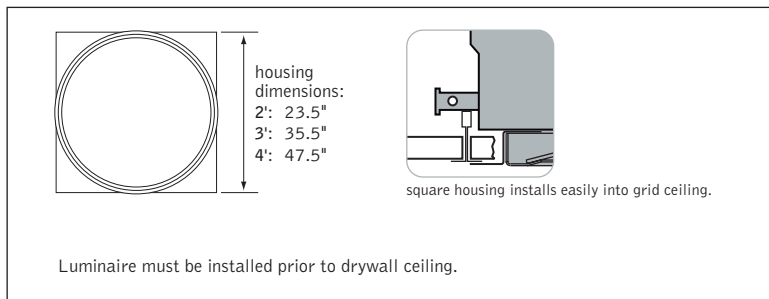
PERFORMANCE



fixture:

project:

MOUNTING INFORMATION



SPECIFICATIONS

LED System

Proprietary linear LED module incorporates premium LEDs on a robust platform to achieve excellent thermal management. LEDs are placed to promote a uniform appearance. Available in 2700K, 3000K, 3500K or 4000K with CRI>80 or CRI>90. 0-10V dimming driver standard. LED modules and drivers are replaceable from below.

Construction

Two-piece 20 Ga. steel reflector and housing. Spun steel trim ring and doorframe. Bottom access 20 Ga. steel driver compartment. 2' unit weight: 24 lbs., 3' unit weight: 44 lbs., 4' unit weight: 58 lbs.

Optic

One-piece 20 Ga. steel reflector finished in High Reflectance White powder coat. .125" frosted acrylic diffuser is held by one-piece spun steel doorframe and secured to the housing by torsion springs. Flat frosted Lens.

Electrical

Standard 120-277V driver includes 0-10V analog dimming. Power factor > .9. Optional EcoSystem drivers from Lutron available. Emergency battery: Bodine BSL310-CAN. Emergency output—10 watts for 90 minutes.

Labels

UL and cUL Listed. Suitable for Dry or Damp Locations, indoor use only.

Finish

Polyester powder coat applied over a multi-stage pre-treatment.

Lumen Maintenance

Reported: L90 at >61,000 hours Calculated: L90 at 74,000 hours
 Derived from EPA TM-21 calculator. Based on typical conditions, consult factory for additional data.

Reliability

At Focal Point, our products are designed to stand the test of time. Each luminaire is engineered using superior components, manufactured with the utmost care and rigorously tested. Contact us for reliability data.

Warranty

LED system rated for operation in ambient environments up to 25°C. 5 year limited warranty.

PERFORMANCE CHART

Nominal Size	Delivered Lumens	Tested System Watts	LPW
2'	2000	27	74
	3000	43	70
	4000	62	65
3'	4000	49	82
	5000	63	79
	7000	93	75
	9000	127	71
4'	7000	70	100
	9000	94	96
	11000	118	93
	14000	153	92
4'	17000	185	92

Based on 3500K, 80 CRI. Lumen multiplier: 90+ CRI = 0.87. Lumen output may vary +/- 8%. Actual wattage may vary +/- 5%

ORDERING

Luminaire Series	FSDL	FSDL
Skydome LED	FSDL	
Nominal Size		
2' Diameter	22	
3' Diameter	33	
4' Diameter	44	
Shielding		FLXP
Flat Frosted Diffuser	FLXP	
Lumen Output		
2' Diameter		
2000 Lumen	2000L	
3000 Lumen	3000L	
4000 Lumen	4000L	
3' Diameter		
4000 Lumen	4000L	
5000 Lumen	5000L	
7000 Lumen	7000L	
9000 Lumen	9000L	
4' Diameter		
7000 Lumen	7000L	
9000 Lumen	9000L	
11,000 Lumen	11000L	
14,000 Lumen	14000L	
17,000 Lumen	17000L	
Color Temperature		
2700K, 80+ CRI or 90+ CRI	27K or 927K	
3000K, 80+ CRI or 90+ CRI	30K or 930K	
3500K, 80+ CRI or 90+ CRI	35K or 935K	
4000K, 80+ CRI or 90+ CRI	40K or 940K	
Circuit		1C
Single Circuit	1C	
Voltage		UNV
120/277 UNV Volt	UNV	
Driver		
<small>(See driver reference for driver quantity)</small>		
0-10V - 10% Dimming	LD1	
0-10V - 1% Dimming	L11	
Lutron Hi-Lume EcoSystem (LDE1) - 1% Dimming	LH1	
Lutron 5-Series EcoSystem (LDE5) - 5% Dimming	LU5	
DALI - 1% Dimming	D11	
Mounting		U
Universal	U	
Factory Options		
Chicago Plenum	CP	
Emergency Battery	EM	
6' New York City Flex Whip (120V)	FNY1	
6' New York City Flex Whip (277V)	FNY2	
6' Flex Whip	FW	
Finish		WH
Matte Satin White	WH	