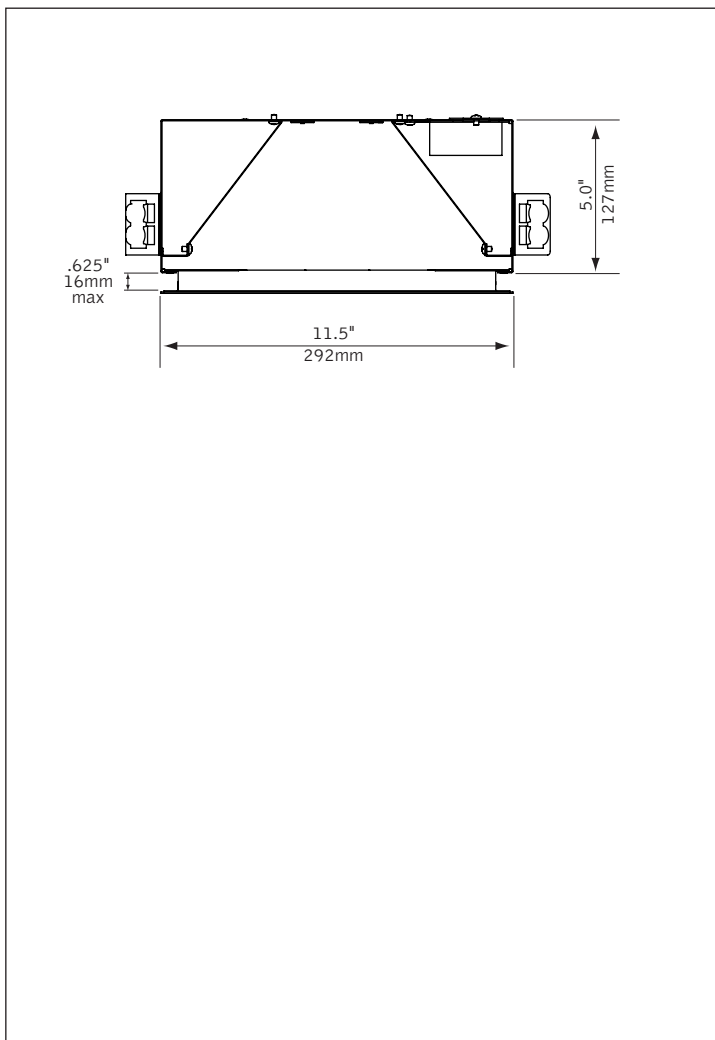




DIMENSIONAL DATA



FEATURES

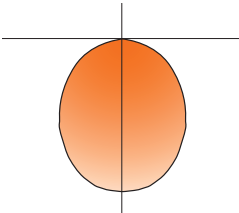
1' diameter recessed direct LED luminaire with frosted flat acrylic lens.

Available in 1,000 and 1,500 lumen options.

Frosted acrylic lens produces a smooth appearance.

Universal mounting is suitable for both grid & drywall applications.

PERFORMANCE



PRODUCT OVERVIEW

Lumen Output: 1000-1500lm

Wattage: 14-21W

LPW: 71

SDCM: 3

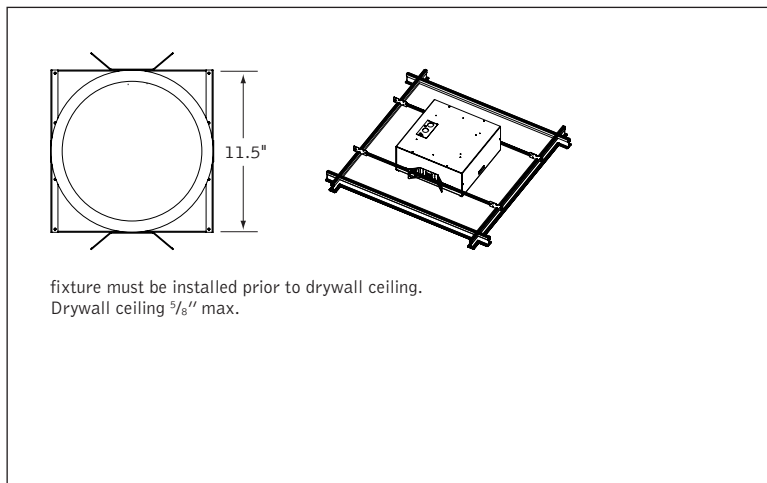
Delivered Lumens: 1000lm
Total System Watts: 14W

Visit focalpointlights.com for complete photometric data.

fixture:

project:

DETAILS



SPECIFICATIONS

LED System

LED module incorporates premium LEDs on a robust platform to achieve excellent thermal management. LEDs are placed to promote a uniform appearance. Available in 2700K, 3000K, 3500K or 4000K with CRI>80 or CRI>90. LED modules and drivers are replaceable from below.

Construction

Two-piece 20 Ga. steel reflector and housing. Spun steel trim ring and doorframe. Bottom access 20 Ga. steel ballast compartment. Weight: 7 lbs.

Optic

One-piece 20 Ga. steel reflector finished in High Reflectance White powder coat. 0.08" premium white acrylic is held by one-piece spun steel doorframe and secured to the housing by torsion springs. Flat lens supplied as standard.

Electrical

Standard 120-277V driver includes 0-10V analog dimming. Power factor > .9.

Labels

UL and cUL Listed. Suitable for Dry or Damp Locations, indoor use only.

Finish

Polyester powder coat applied over a multi-stage pre-treatment.

Lumen Maintenance

Reported: L90 at >61,000 hours Calculated: L90 at 114,000 hours.
 Derived from EPA TM-21 calculator. Based on typical conditions, consult factory for additional data.

Reliability

At Focal Point, our products are designed to stand the test of time. Each luminaire is engineered using superior components, manufactured with the utmost care and rigorously tested. Contact us for reliability data.

Warranty

LED system rated for operation in ambient environments up to 25°C. 5 year limited warranty.

PERFORMANCE CHART

Delivered Lumens	Tested System Watts	LPW
1000	14	71
1500	21	71

Based on 3500K, 80 CRI. Lumen multiplier: 90+ CRI = 0.87. Lumen output may vary +/- 8%. Actual wattage may vary +/- 5%

ORDERING

Luminaire Series		FSDL
Skydome LED	FSDL	
Nominal Size		11
1' Diameter	11	
Shielding		FLXP
High Performance Flat Lens	FLXP	
Lumen Output		
1000 Lumen	1000L	
1500 Lumen	1500L	
Color Temperature		
2700K, 80+ CRI or 90+ CRI	27K or 927K	
3000K, 80+ CRI or 90+ CRI	30K or 930K	
3500K, 80+ CRI or 90+ CRI	35K or 935K	
4000K, 80+ CRI or 90+ CRI	40K or 940K	
Circuit		1C
Single Circuit	1C	
Voltage		UNV
UNV 120/277 Volt	UNV	
Driver		
0-10V - 10% Dimming	LD1	
0-10V - 1% Dimming	L11	
DALI - 1% Dimming	D11	
Mounting		U
Universal	U	
Factory Options		
Bar Hangers	BH	
Chicago Plenum	CP	
6' New York City Flex Whip (120V)	FNY1	
6' New York City Flex Whip (277V)	FNY2	
6' Flex Whip	FW	
Finish		WH
Matte Satin White	WH	