

Skydome Edge®

LED PENDANT



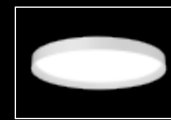
The Naturals collection -
White & Chestnut shown



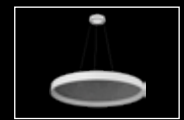
The Naturals collection -
Black & Elm Gray shown



canopy detail

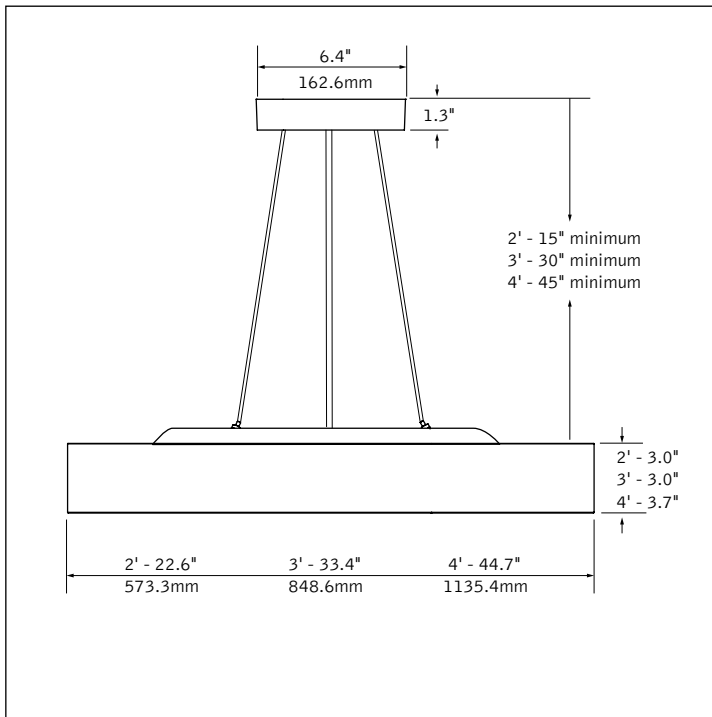


surface mount
companion

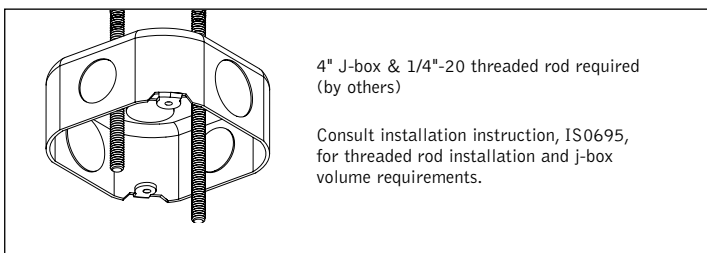


unlit acoustic
companion

DIMENSIONAL DATA



MOUNTING INFORMATION



FEATURES

- Shallow housing.
- Edge lighting technology ensures even illumination of the lens.
- Slot canopy provides no visibility to mechanical elements.
- Knife edge design provides a modern aesthetic.
- Available in nominal 2', 3' and 4' diameters.
- Choice of direct and indirect output levels to meet a wide variety of application needs, specified and controlled independently.
- Available with The Naturals, a series of finishes that exude biophilic beauty.
- PoE compatible: Integrates with Power over Ethernet lighting systems via standard, low-voltage wires.

PERFORMANCE

PRODUCT OVERVIEW

Lumen Output:	2000-16500lm
Wattage:	17 - 162W
LPW:	104 - 118
SDCM:	2

3' Diameter
2000 Lumens indirect /
9000 Lumens direct

Delivered Lumens: 11000lm
Total System Watts: 106W

Photometric performance is measured in accordance with IESNA LM-79. Visit focalpointlights.com for complete photometric data.

fixture:

project:

SPECIFICATIONS

LED System

LED module incorporates premium LEDs on a robust platform to achieve excellent thermal management. LEDs are placed to promote a uniform appearance. Available in 2700K, 3000K, 3500K or 4000K with 80 or 90 CRI. 3500K and 4000K with CRI>90 have a cyanosis observation index (COI) of 3.3 or less. Drivers are replaceable.

Construction

Extruded aluminum housing. One-piece ABS plastic top cover. Luminaire weights: 2' unit: 24lbs, 3' unit: 48lbs, 4' unit: 82lbs.

Mounting

White canopy provided for below ceiling access. Minimum mounting heights: 2' unit: 15", 3' unit: 30", 4' unit: 45".

Optic

18 Ga. steel reflector finished in High Reflectance white powder coat. Regressed lens of 0.118" thick acrylic.

Electrical

Standard 120-277V driver includes 0-10V analog dimming. Power factor > .9. PoE compatible: Integrates with Power over Ethernet lighting systems via standard, low-voltage wires.

Nominal Size	Direct Distribution	Driver Quantity	
		Direct Only	Direct/Indirect
2'	2000DN - 5000DN	1	2
	4000DN - 7000DN	1	2
3'	9000DN	2	3
	7000DN	1	2
4'	9000DN - 1400DN	2	3

Emergency Battery

Bodine BSL6LST. Emergency output - 6 watts for 90 minutes. Maximum mounting height: 14.25ft.

Labels

UL and cUL Listed. Suitable for Dry or Damp Locations, indoor use only.

Finish

Polyester powder coat applied over a multi-stage pre-treatment. The Naturals: 100% low VOC vinyl. Canopy White as standard.

Lumen Maintenance

Reported: L70 at >61,000 hours Calculated: L70 at 221,000 hours
L90 at 57,000hrs L90 at 57,000hrs

Derived from EPA TM-21 calculator. Based on typical conditions, consult factory for additional data.

Reliability

At Focal Point, our products are designed to stand the test of time. Each luminaire is engineered using superior components, manufactured with the utmost care and rigorously tested. Contact us for reliability data.

Warranty

LED system rated for operation in ambient environments up to 25°C. 5 year limited warranty.

PERFORMANCE CHART (Direct only) See page 3 for additional performance.

Nominal Size	Delivered Lumens	Tested System Watts	LPW
2'	2000	17	116
	3000	26	118
	4000	35	118
	5000	44	114
3'	4000	35	118
	5000	43	117
	7000	63	113
4'	9000	82	109
	7000	62	112
	9000	85	110
	11000	105	107
	14000	135	104

Based on 3500K, 80CRI. Lumen multiplier for 90CRI = 0.85. Lumen output may vary +/- 5%. Actual wattage may vary +/- 5%.

Focal Point LLC reserves the right to change specifications for product improvement without notification.

ORDERING

Luminaire Series	FSDEP	FSDEP
Skydome Edge	FSDEP	
Nominal Size		
2' Diameter	2	
3' Diameter	3	
4' Diameter	4	
Shielding		FL
Frosted Lens	FL	
Direct Distribution		
2' Diameter		
2000 Lumen	2000DN	
3000 Lumen	3000DN	
4000 Lumen	4000DN	
5000 Lumen	5000DN	
3' Diameter		
4000 Lumen	4000DN	
5000 Lumen	5000DN	
7000 Lumen	7000DN	
9000 Lumen	9000DN	
4' Diameter		
7000 Lumen	7000DN	
9000 Lumen	9000DN	
11,000 Lumen	11000DN	
14,000 Lumen	14000DN	
Indirect Distribution		
No Uplight	0UP	
500 Lumen (L11 & LD1 only)	500UP	
1000 Lumen	1000UP	
1500 Lumen	1500UP	
2000 Lumen (3' & 4' Diameters only)	2000UP	
2500 Lumen (4' Diameter only)	2500UP	
Color Temperature		
2700K, 80+ CRI or 90+ CRI	27K or 927K	
3000K, 80+ CRI or 90+ CRI	30K or 930K	
3500K, 80+ CRI or 90+ CRI	35K or 935K	
4000K, 80+ CRI or 90+ CRI	40K or 940K	
Circuit		
Single Circuit	1C	
Dual Circuit	2C	
Voltage		
120/277 UNV Volt	UNV	
347 Volt (L11 & LD1 only. Not available with uplight, 0UP only. Not available with EM battery.)	347	
Low Voltage	LV	
Control System & Dimming Level		
0-10V - 1% Dimming	L11	
0-10V - 10% Dimming	LD1	
Low Voltage, PoE compatible (No driver. Not available with EM or EC. LV Voltage only.)	LVN	
Lutron Hi-Lume EcoSystem (LDE1) - 1% Dimming (9000, 11000 & 14000 lumens not available)	LH1	
DALI 1% Dimming (7000, 9000, 11000 & 14000 lumens not available)	D11	
Mounting		
24" Aircraft Cable (2' diameter only)	C24	
48" Aircraft Cable	C48	
96" Aircraft Cable (Consult factory for other lengths)	C96	
Factory Options		
Emergency Battery (120/277 Volt only)	EM	
Housing Finish		
(See finishes page for The Naturals options)		
Matte Satin White	WH	
Titanium Silver	TS	
Matte Black	BK	
Custom Color (Specify your RAL color value. Extended lead time, consult factory.)	RAL_ _ _ _	

PERFORMANCE CHART WITH UPLIGHT

Nominal Size	Direct Distribution	Indirect Distribution	Distribution % (Direct/Indirect)	Total Delivered Lumens	Tested System Watts	LPW
2'	2000DN	500UP	80/20	2500	24	104
		1000UP	65/35	3000	29	105
		1500UP	60/40	3500	35	101
	3000DN	500UP	85/15	3500	32	108
		1000UP	75/25	4000	37	109
		1500UP	65/35	4500	43	105
	4000DN	500UP	90/10	4500	42	109
		1000UP	80/20	5000	46	110
		1500UP	70/30	5500	52	106
	5000DN	500UP	90/10	5500	51	109
		1000UP	85/15	6000	55	109
		1500UP	75/25	6500	62	106
3'	4000DN	500UP	90/10	4500	42	109
		1000UP	80/20	5000	47	108
		1500UP	75/25	5500	52	107
		2000UP	65/35	6000	58	104
	5000DN	500UP	90/10	5500	51	109
		1000UP	85/15	6000	55	109
		1500UP	75/25	6500	61	108
		2000UP	70/30	7000	67	105
	7000DN	500UP	95/5	7500	71	108
		1000UP	90/30	8000	75	108
		1500UP	80/20	8500	80	107
		2000UP	80/20	9000	87	105
9000DN	500UP	95/5	9500	90	106	
	1000UP	90/10	10000	95	106	
	1500UP	85/15	10500	100	105	
	2000UP	80/20	11000	106	104	
4'	7000DN	500UP	95/5	7500	69	108
		1000UP	90/10	8000	74	109
		1500UP	80/20	8500	78	109
		2000UP	80/20	9000	83	108
		2500UP	75/25	9500	89	106
	9000DN	500UP	95/5	9500	92	107
		1000UP	90/10	10000	96	108
		1500UP	85/15	10500	100	108
		2000UP	80/20	11000	106	107
		2500UP	80/20	11500	112	106
	11000DN	500UP	95/5	11500	112	105
		1000UP	90/10	12000	117	106
1500UP		90/10	12500	121	106	
2000UP		85/15	13000	127	105	
2500UP		80/20	13500	132	104	
14000DN	500UP	95/5	14500	142	102	
	1000UP	95/5	15000	147	103	
	1500UP	90/10	15500	151	103	
	2000UP	90/10	16000	157	102	
	2500UP	85/15	16500	162	102	

Based on 3500K, 80CRI. Lumen multiplier for 90CRI = 0.85. Lumen output may vary +/- 5%. Actual wattage may vary +/- 5%.

Finishes



STANDARD FINISHES



WHITE WH BLACK BK TITANIUM SILVER TS

THE NATURALS (25% SCALE)



LIGHT OAK LOK GRAY ELM GRE CHESTNUT CHT WALNUT WLT WOVEN LINEN WLN



WHITE Interior & LIGHT OAK Exterior WHLOK WHITE Interior & GRAY ELM Exterior WHGRE WHITE Interior & CHESTNUT Exterior WHCHT WHITE Interior & WALNUT Exterior WHWLT WHITE Interior & WOVEN LINEN Exterior WHWLN



BLACK Interior & LIGHT OAK Exterior BKLOK BLACK Interior & GRAY ELM Exterior BKGRE BLACK Interior & CHESTNUT Exterior BKCHT BLACK Interior & WALNUT Exterior BKWLT BLACK Interior & WOVEN LINEN Exterior BKWLN