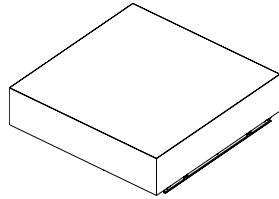
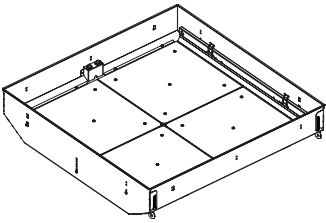
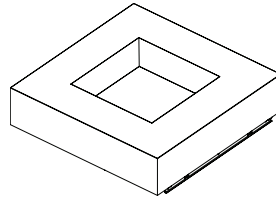


**⚠ AVOID ALL CONTACT WITH LED SURFACE, LEDs ARE EASILY DAMAGED!**

FOCAL POINT

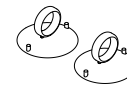


SOLID DIFFUSER



HOLLOW DIFFUSER

SUCTION CUPS  
(FLUSH LENS ONLY)



KEY



POWER OFF



POWER ON



ATTENTION

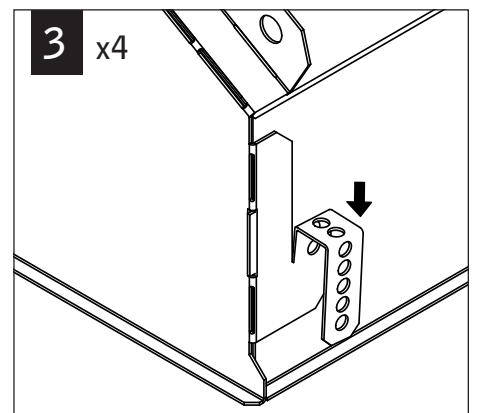
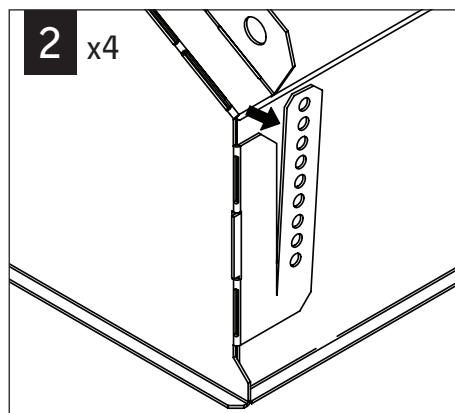
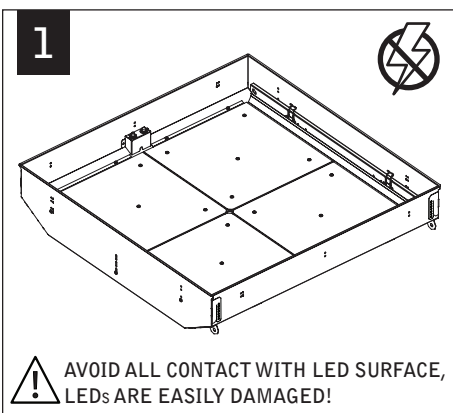
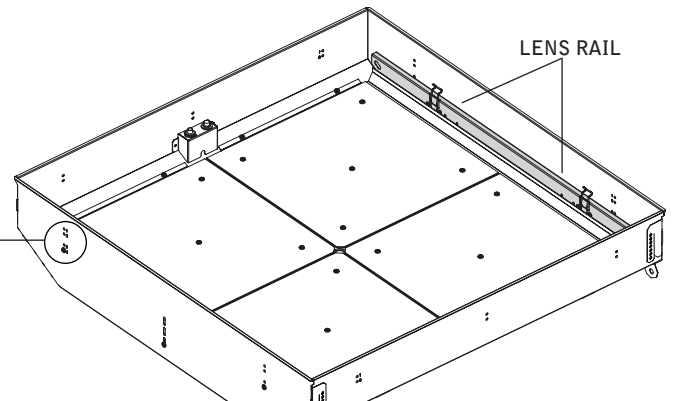
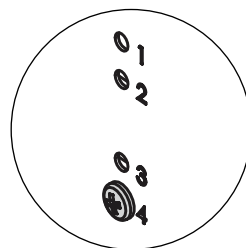
**LENS MOUNTING GUIDE**

9/16" GRID HOUSING (G2, G3, T2)			15/16" GRID HOUSING (G1, T1)		
SHIELDING	MOUNTING	LENS RAIL POSITION	SHIELDING	MOUNTING	LENS RAIL POSITION
AC1, AC3, AC5, AC7 AX3, AX5, AX7	G3, T2	1	AC1, AC3, AC5, AC7 AX3, AX5, AX7	T1	5
	G2	2		G1	6
ACZ, AC2, AC4, AC6 AX2, AX4, AX6	G3, T2	3	ACZ, AC2, AC4, AC6 AX2, AX4, AX6	T1	7
	G2	4		G1	8

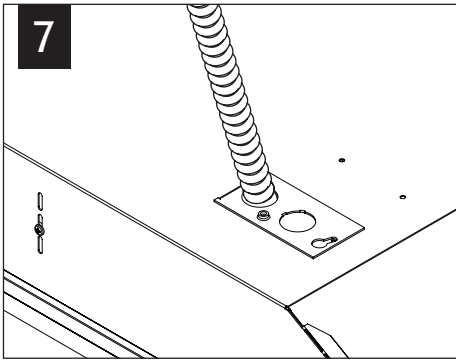
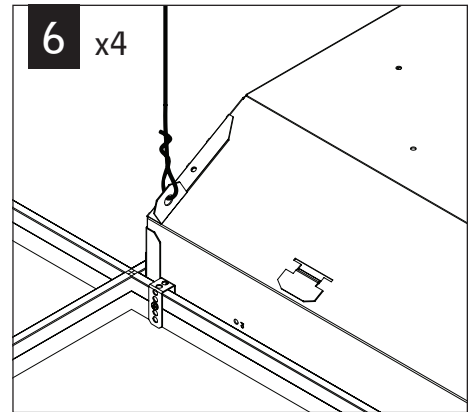
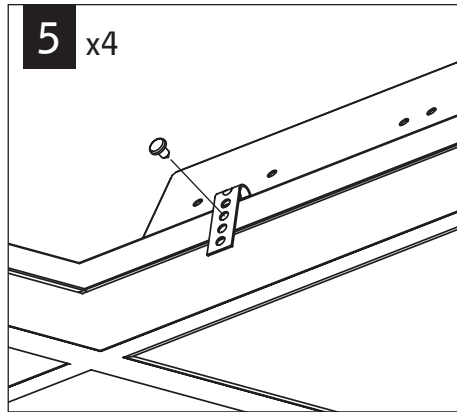
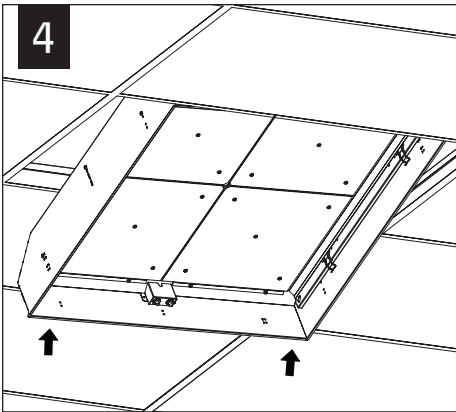


MATCH PART NUMBERS FOUND ON LENS AND HOUSING PACKAGING LABELS FOR CORRECT PAIRING

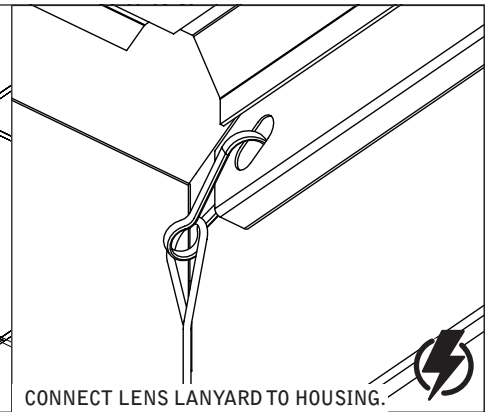
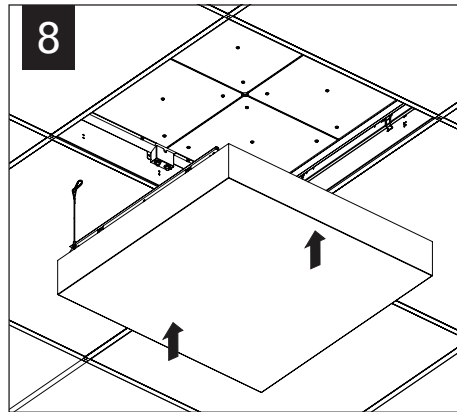
LENS RAIL POSITION



Luminaires must be installed by a qualified electrician (check with local and national codes for proper installation).  
To prevent electrical shock, disconnect electrical supply before installation or servicing.

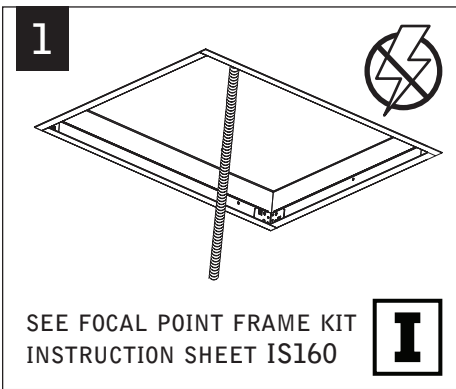


**MAKE ELECTRICAL CONNECTIONS**

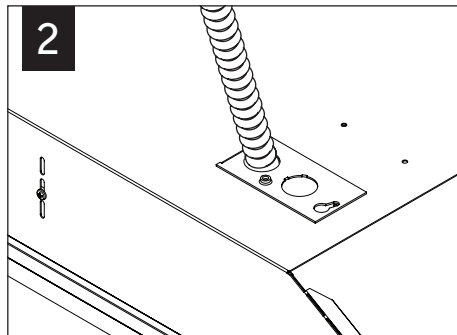


**CONNECT LENS LANYARD TO HOUSING.**

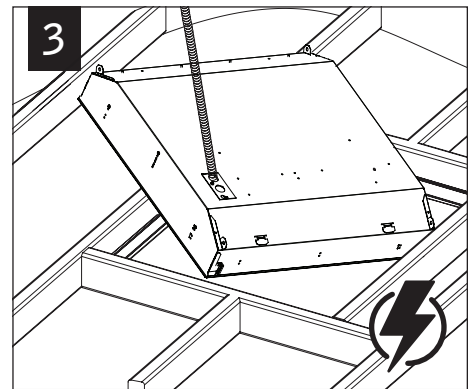
**DRYWALL INSTALLATION**



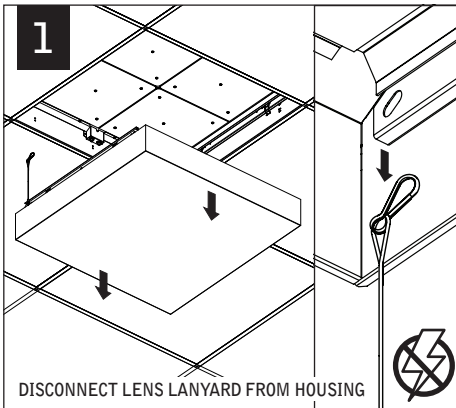
SEE FOCAL POINT FRAME KIT INSTRUCTION SHEET IS160 **I**



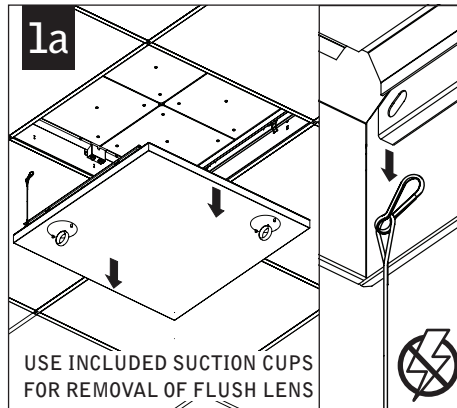
**MAKE ELECTRICAL CONNECTIONS**



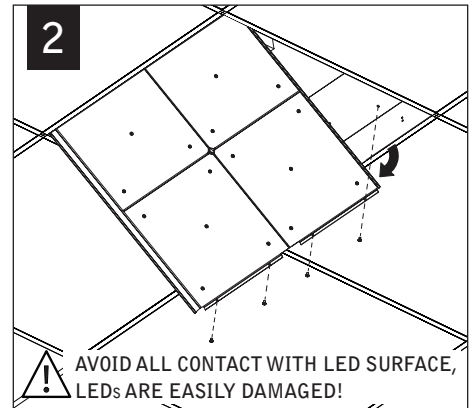
**DRIVER SERVICE**



**DISCONNECT LENS LANYARD FROM HOUSING**



**USE INCLUDED SUCTION CUPS FOR REMOVAL OF FLUSH LENS**



**AVOID ALL CONTACT WITH LED SURFACE, LEDs ARE EASILY DAMAGED!**

Luminaires must be installed by a qualified electrician (check with local and national codes for proper installation). To prevent electrical shock, disconnect electrical supply before installation or servicing.

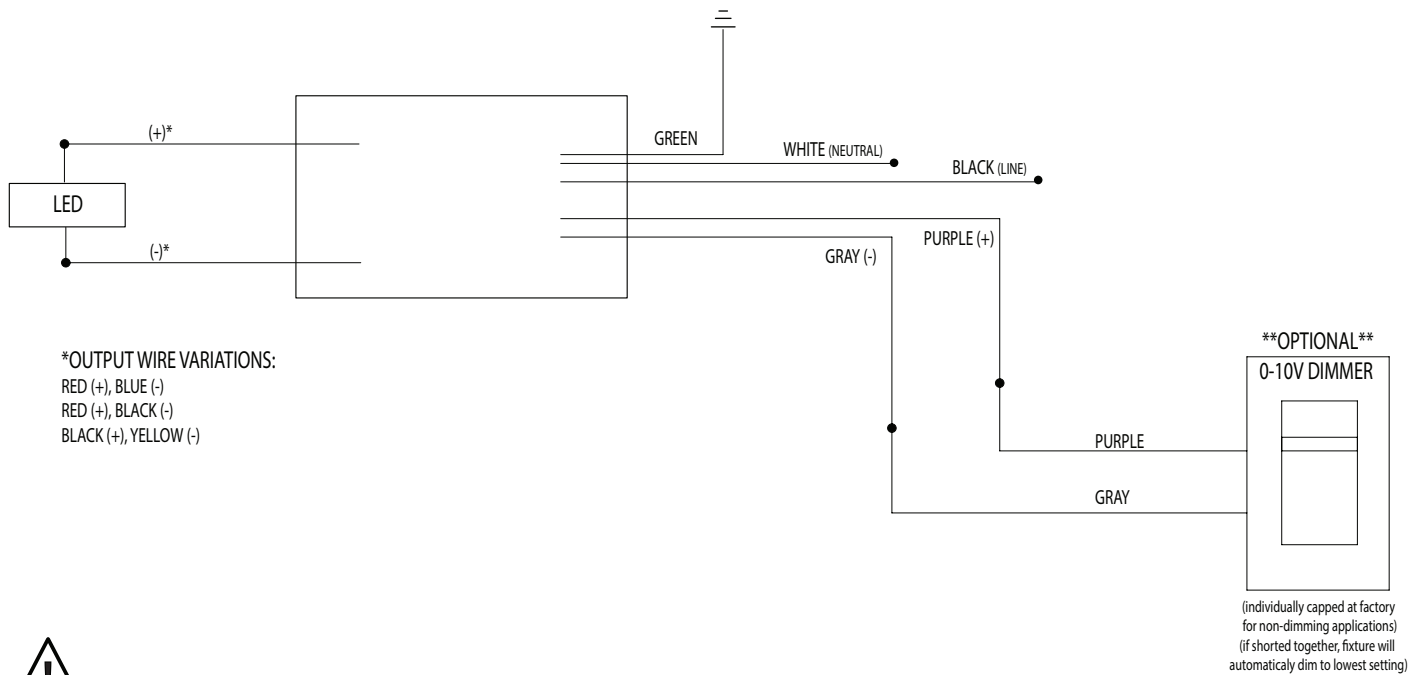
# EMERGENCY



SEE BATTERY MANUFACTURER  
INSTRUCTIONS

EMERGENCY MAXIMUM MOUNTING HEIGHT:  
18.00'

## 0-10V DIMMING & NON-DIMMING STANDARD WIRING



REFERENCE DRIVER MANUFACTURER'S SPEC SHEETS FOR DRIVER SPECIFIC WIRING DIAGRAMS.  
EMERGENCY LUMINAIRES WIRED ACCORDING TO BATTERY MANUFACTURER'S INSTRUCTIONS.