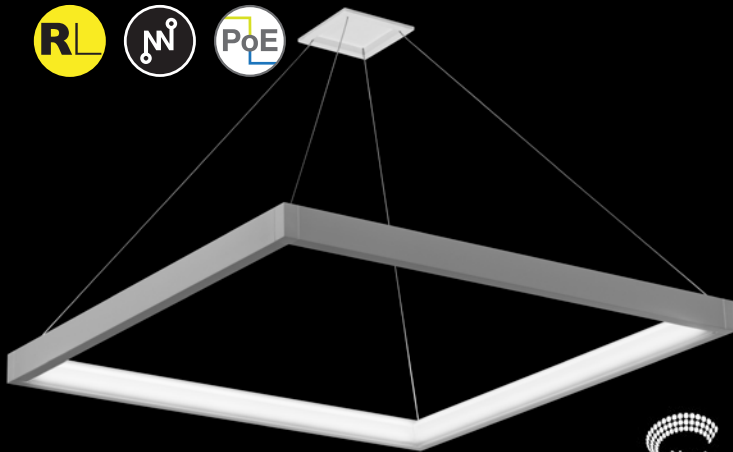
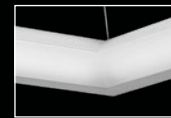


Nera®

LED



bottom detail



inside lens detail



canopy

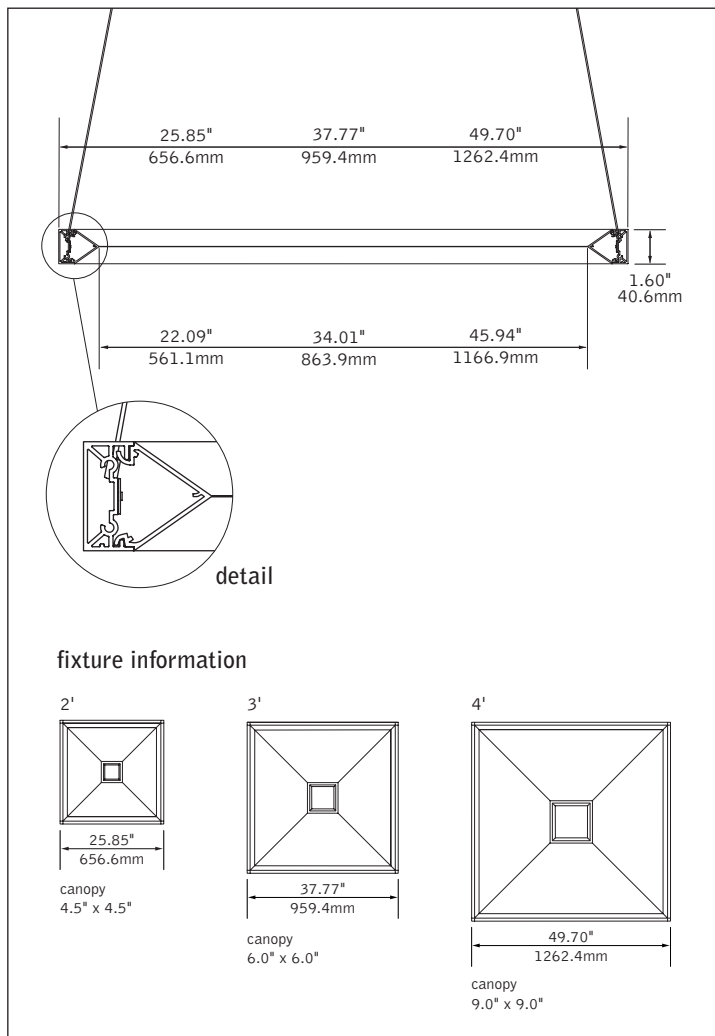


white finish



palladium finish

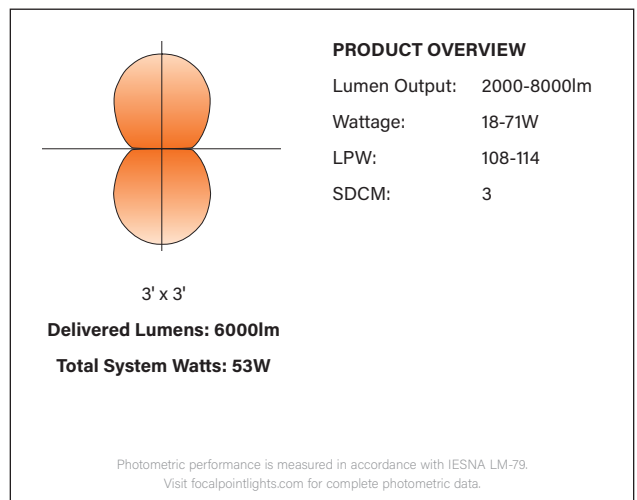
DIMENSIONAL DATA



FEATURES

- Unique aesthetic inspired by the visual void design philosophy.
- Luminaire sizes available in 2'x2', 3'x3' and 4'x4'.
- Frosted acrylic optical diffuser produces 50/50 light distribution.
- Features Power-Up suspension system which delivers power through the suspension cables and eliminates visual clutter of separate power cord.
- Installations include grid, drywall and surface-mount/open ceilings.
- Choice of output levels to meet a wide variety of application needs.
- PoE compatible: Integrates with Power over Ethernet lighting systems via standard, low-voltage wires.

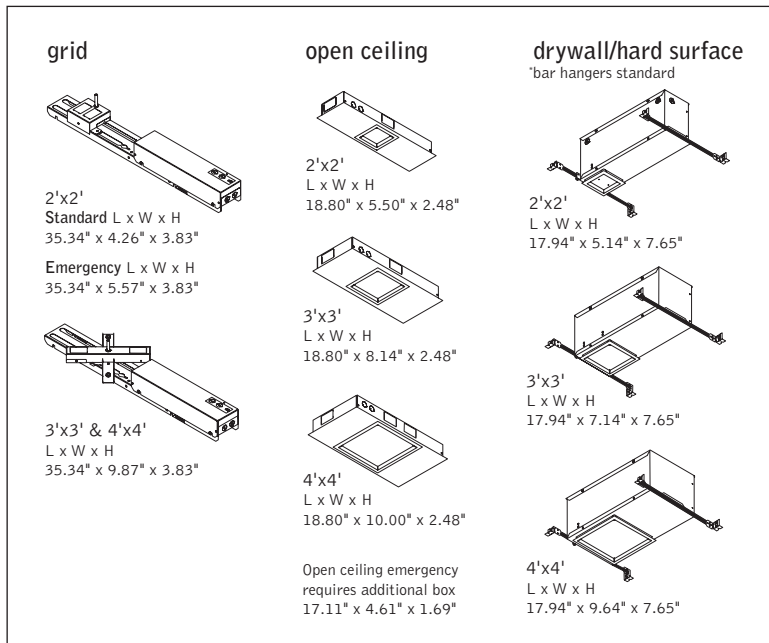
PERFORMANCE



fixture:

project:

DETAILS



SPECIFICATIONS

LED System

Linear LED module incorporates premium LEDs on a robust platform to achieve excellent thermal management. Available in 3000K, 3500K, 4000K with CRI>80, 3SDCM. LED boards and drivers are replaceable.

Construction

Extruded aluminum rails and die-cast corners. 2' x 2' unit weight: 4.6lbs. 3' x 3' unit weight: 6.8lbs. 4' x 4' unit weight: 9.3lbs.

Optic

0.125" thick extruded acrylic lens.

Mounting

White satin acrylic canopy provided for below ceiling access. Canopy is field paintable. Minimum mounting height: 2' x 2': 12"; 3' x 3': 18"; 4' x 4': 24".

Suspension and Power

Low voltage power delivered via aircraft suspension/power cable. Adjustable suspension to 96", consult factory for longer lengths. Drivers in sheet metal enclosure above ceiling or surface mount for open ceilings. Drivers are replaceable. Standard 120-277V constant current driver includes 0-10V analog dimming. Power factor > .9. PoE compatible: Integrates with Power over Ethernet lighting systems via standard, low-voltage wires.

Emergency

Emergency Battery output for 90 minutes. Maximum mounting height: 16.6ft. Emergency Circuit with Connected Solutions (NLT1, ENL1, CLM1, CLMZ1, DLM1) shipped standard with leads to connect UL924 compliant device, by others.

Labels

UL and cUL listed. Suitable for Dry or Damp Locations, indoor use only.

Finish

Polyester powder coat applied over a multi-stage pre-treatment.

Lumen Maintenance

Reported: L90 at >36,000 hours Calculated: L90 at 100,000 hours
Derived from EPA TM-21 calculator. Based on typical conditions, consult factory for additional data.

Reliability

At Focal Point, our products are designed to stand the test of time. Each luminaire is engineered using superior components, manufactured with the utmost care and rigorously tested. Contact us for reliability data.

Warranty

LED system rated for operation in ambient environments up to 25°C. 5 year limited warranty.

PERFORMANCE CHART

See page 3

ORDERING

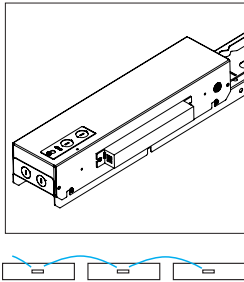
	Luminaire Series	FNRP
	Nera	FNRP
	Nominal Size	
	2' x 2'	22
	3' x 3'	33
	4' x 4'	44
	Shielding	FL50
	Frosted Lens - 50/50 Distribution	FL50
	Lumen Output	
	2000 Lumens	2000L
	2500 Lumens	2500L
2' x 2'	3000 Lumens	3000L
	3500 Lumens	3500L
	4000 Lumens	4000L
	3000 Lumens	3000L
3' x 3'	3750 Lumens	3750L
	4500 Lumens	4500L
	5250 Lumens	5250L
	6000 Lumens	6000L
	4000 Lumens	4000L
	5000 Lumens	5000L
4' x 4'	6000 Lumens	6000L
	7000 Lumens	7000L
	8000 Lumens	8000L
	<small>(Not available with D11 or NLT1)</small>	
	<small>(Not available with D11 or NLT1)</small>	
	Color Temperature	
	3000K	30K
	3500K	35K
	4000K	40K
	Circuits	1C
	Single Circuit	1C
	Voltage	UNV
	UNV 120/277 Volt	UNV
	Low Voltage	LV
	Control System & Dimming Level	
	0-10V - 1% Dimming	L11
	0-10V - 10% Dimming	LD1
	Low Voltage, PoE compatible	LVN
	<small>(No driver. Not available with EM or EC. LV Voltage only.)</small>	
	Lutron Hi-Lume EcoSystem (LDE1) -	
	1% Dimming	LH1
	DALI - 1% Dimming	D11
	Acuity nLight - 1% Dimming	NLT1
	<small>(Not available with CP. Grid only.)</small>	
	Enlighted Smart Sensor - 1% Dimming	ENL1
	<small>(Remote mounted sensor. Grid only.)</small>	
	Osram Connected Lighting Module	
	- 1% Dimming	CLM1
	<small>(Grid only. Compatible with Osram ENCELUM and ENCELUM EDGE systems only.)</small>	
	Osram Connected Lighting Module for ZigBee Wireless Networks - 1% Dimming	CLMZ1
	<small>(Grid only. Not compatible with Osram ENCELUM systems.)</small>	
	Wattstopper DLM - 1% Dimming	DLM1
	<small>(Grid only.)</small>	
	Mounting	
	Grid Accessible Ceiling	G
	<small>(Consult factory for TechZone Ceilings.)</small>	
	Drywall / Hard Surface	HS
	<small>(Not available with Emergency Battery)</small>	
	Open Ceiling	OC
	Suspension and Power Feed	
	<small>(Adjustable aircraft cable with integral low voltage power delivery)</small>	
	24" adjustable	CLV24
	48" adjustable	CLV48
	60" adjustable	CLV60
	96" adjustable	CLV96
	Factory Options	
	Clear Cable Slewing	CCS
	<small>(May be required by local code)</small>	
	Chicago Plenum	CP
	<small>(Not available with Open Ceiling mounting. CCS shipped standard with CP option)</small>	
	Emergency Circuit	EC
	Emergency Battery	EM
	<small>(Test switch in canopy. Not available with HS mounting.)</small>	
	Finish	
	Palladium Silver	PS
	White	WH

PERFORMANCE CHART

Nominal Size	Delivered Lumens	System Watts	LPW
2' x 2'	2000	17.7	113
	2500	22.0	114
	3000	26.6	113
	3500	31.2	112
	4000	36.0	111
3' x 3'	3000	26.5	113
	3750	33.0	114
	4500	39.8	113
	5250	46.8	112
	6000	52.9	112
4' x 4'	4000	35.3	113
	5000	44.0	114
	6000	53.1	113
	7000	62.5	112
	8000	70.5	108

*Lumen output may vary +/- 5%. Actual wattage may vary +/- 5%

Focal Point provides flexibility in meeting the needs of each project by integrating with several building lighting control systems. A variety of sensors, drivers and other components can be specified that allow the luminaires to communicate with wired and wireless networks. All zoning can be digitally reconfigured through the application software. Daylight harvesting, occupancy sensing, integration with HVAC systems, and individual controls enable the monitoring and modulating of light levels and temperature in order to save energy, reduce costs and maximize occupants' comfort. All Connected Solutions luminaires require a compatible building control system.†



nLIGHT

nLight[®] provides a two-way wired digital lighting system allowing for on/off and dimming functionality, occupancy sensing, and multi-zone daylight harvesting.

Acuity nLight - 1% Dimming (NLT1)
Acuity Model #nEPS-60-IO

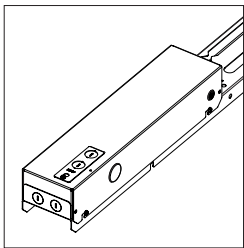
CAT-5 Cable provided by others. Serial labels will be provided on outside of luminaires and control unit.



enlighted[®] A Siemens Company

Enlighted smart sensor allows for occupancy sensing, daylight harvesting (not suitable for Nera), energy usage, temperature and light level control. Communicates wirelessly with the Enlighted network.

Enlighted Smart Sensor - 1% Dimming (ENL1)
Enlighted Model #SU-5E-IOT

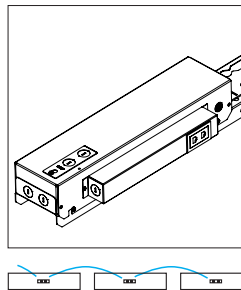


OSRAM

Connected Lighting Module (CLM) enables each luminaire to be independently controlled and configured. Communicates wirelessly with Daintree Networks[®], Osram ENCELIUM[®], Osram ENCELIUM EDGE[™], and other networks using the ZigBee[®] HA communication protocol to allow for on/off and dimming functionality, occupancy sensing and multi-zone daylight harvesting.

Osram CLM - 1% Dimming (CLM1 & CLMZ1)
Osram Model #ZBHA-CLM DIM

Serial labels will be provided on outside of luminaires and control unit.

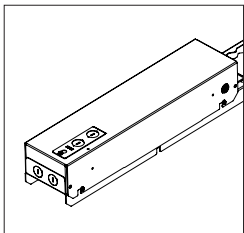


legrand[®] WATTSTOPPER[®]

A Digital Lighting Management (DLM) system that provides two-way wired communication between networked luminaires and control system to allow for on/off and dimming functionality, occupancy sensing and multi-zone daylight harvesting.

Wattstopper DLM - 1% Dimming (DLM1)
Wattstopper Model #LMFC-011

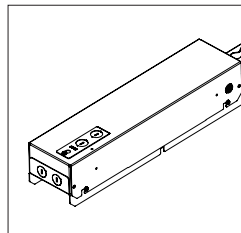
CAT-5 Cable provided by others. Serial labels will be provided on outside of luminaires and control unit.



LUTRON[®]

A two-way digital network that enables on/off and dimming functionality, occupancy sensing, and multi-zone daylight harvesting working with Quantum[™], Energi Savr Node[™], and Energi TriPak[™] using EcoSystem[®] communication protocol.

Lutron Hi-Lume EcoSystem - 1% Dimming (LH1)
Lutron Model #LDE1



CRESTRON[®]

A two-way digital network that enables on/off and dimming functionality, occupancy sensing, and multi-zone daylight harvesting. Communicates with Züm wireless and SpaceBuilder working with Züm hub scheduling or FUSION management.

DALI - 1% Dimming (D11)
0-10V - 1% Dimming (L11)

Note: 0-10V is not a digital network but is compatible with Creston Züm[™] system.

CONNECTED SOLUTIONS DETAILS

Connected Solution	Model #	Protocol	Compatible Networks*	Occupancy	Daylight	Temperature Reporting	Communication to Luminaire	Drivers
Acuity nLight (NLT1)	nEPS-60-IO**	nLight	nLight	Enabled	Enabled	No	Wired	eldoLED ECoDrive , eldoLED SOLOdrive
Crestron (D11, L11)	Specified Driver	DALI 0-10V	Crestron Züm Wireless & SpaceBuilder	Enabled	Enabled	No	Wired	eldoLED ECoDrive (DALI) , Advance by Signify (0-10V)
Enlighted Smart Sensor (ENL1)	SU-5E-IOT**	Enlighted RF	Enlighted	Integrated	Not suitable	Yes	Wireless	Advance by Signify
Legrand Wattstopper DLM (DLM1)	LMFC-011**	DLM	DLM	Enabled	Enabled	No	Wired	Advance by Signify
Lutron EcoSystem (LH1)	LDE1**	EcoSystem	Quantum, Energi Savr Node, Energi TriPak	Enabled	Enabled	No	Wired	Lutron Hi-Lume
Osram CLM for ENCELIUM systems (CLM1)	ZBHA-CLM**	ZigBee HA	Osram ENCELIUM & ENCELIUM EDGE	Enabled	Enabled	No	Wireless	Osram Optotronic
Osram CLM for ZigBee Wireless Networks (CLMZ1)	ZBHA-CLM**	ZigBee HA	Daintree Networks & open ZigBee Networks	Enabled	Enabled	No	Wireless	Osram Optotronic

*Not all compatible networks may be listed. **For performance data and additional control system details please visit the connected solutions manufacturer websites. Primary drivers are listed in bold. To specify a particular driver please consult factory. †Controls systems supplied by others.