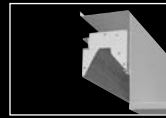


Mini-Grazer™

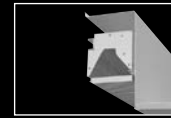
FLUORESCENT



FOCAL POINT®

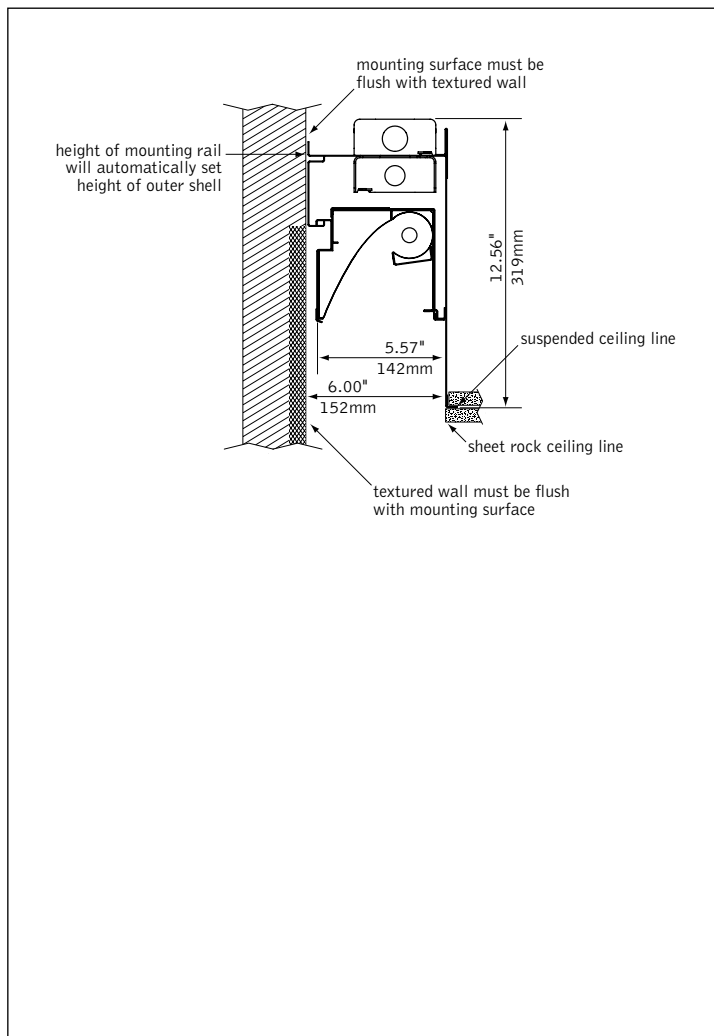


open optic



baffle

DIMENSIONAL DATA



FEATURES

High performance, T5 or T5HO Fluorescent Wall Grazer.

Nautilus optic designed to highlight textured walls and ceilings evenly from ceiling to floor.

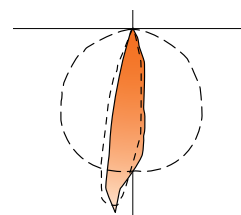
Swing down lamp tray allows for easy lamp accessibility.

Housing creates 6" architectural slot.

Great energy solution that replaces multiple MR16 or PAR lamps commonly used for grazing applications.

Housing designed for drywall or grid ceilings.

PERFORMANCE



1-lamp T5HO
37% Efficient
3734 cd @ 5°

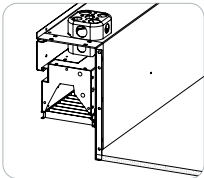
PRODUCT OVERVIEW

Lumen Output: 919-1864lm
Wattage: 33-63W
Lamping: T5, T5HO

Visit focalpointlights.com for complete photometric data.

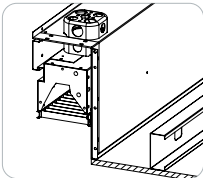
MOUNTING INFORMATION

Grid



Acoustical tile may rest on flange of luminaire.

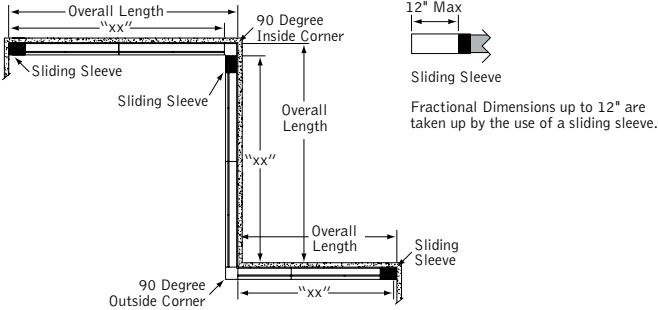
Drywall



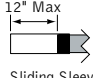
Mount drywall under luminaire and support to ceiling structure.
NOTE: Add drywall thickness to overall height of luminaire.

NOTE: Luminaire must be installed prior to ceiling.

typical run layout



sliding sleeves



Sliding Sleeve
Fractional Dimensions up to 12" are taken up by the use of a sliding sleeve.

Luminaires must be installed prior to ceiling.
Start run from corner with any standard luminaire.
Corner to corner runs end with a sliding sleeve.

SPECIFICATIONS

Construction

20 Ga. steel housing. 20 Ga. internal bulkheads. 20 Ga. steel rough-in housings are provided to create wall to wall slot. 20 Ga. steel sliding sleeve. Optional baffle (.650"H x .800" frequency) provides 50° cutoff to lamp and held captive with torsion springs. Luminaires are available in 3' and 4' lengths. 3' unit weight: 24 lbs., 4' unit weight: 26 lbs.

Optic

CNC roll-formed specular .016" thick aluminum.

Electrical

Electronic ballasts are thermally protected and have a Class "P" rating. Consult factory for dimming specifications and availability.

Labels

UL and cUL listed.

Finish

Polyester powder coat applied over a 5-stage pre-treatment.

ORDERING

Luminaire Series		FMG	FMG
Mini-Grazer		FMG	
Shielding			
No Shielding, Open Optic		NS	
Baffle, White		BB	
Lamping			
One Lamp T5		1T5	
One Lamp T5HO		1T5HO	
Circuit			1C
Single Circuit		1C	
Voltage			
120 Volt		120	
277 Volt		277	
347 Volt		347	
<small>(Consult factory for dimming options)</small>			
120/277 UNV		UNV	
<small>(Not available with 1-lamp T5HO dimming or EM)</small>			
Ballast			
Electronic Program Start <10% THD		S	
0-10V		D7	
Lutron 1% 3-wire		DH	
Lutron 1% H-Series		DK	
Factory Options			
Air Return		AR	
Chicago Plenum		CP	
Emergency Battery Pack*		EM	
HLR/GLR Fuse		FU	
Include 3000K Lamp*		L830	
Include 3500K Lamp*		L835	
Include 4100K Lamp*		L841	
12" Sliding Sleeve		SS	
Finish			WH
Matte White Housing		WH	
Luminaire Length			
Designate overall run length dimension		XX'	
<small>(Light modules provided in 3' & 4' lengths)</small>			
Corner Options			
90-degree Inside Corner		FMG-IC90	
90-degree Outside Corner		FMG-OC90	

NOTE: Not intended for drywall surfaces unless a Level 5 finish is specified.

Mini-Grazer™

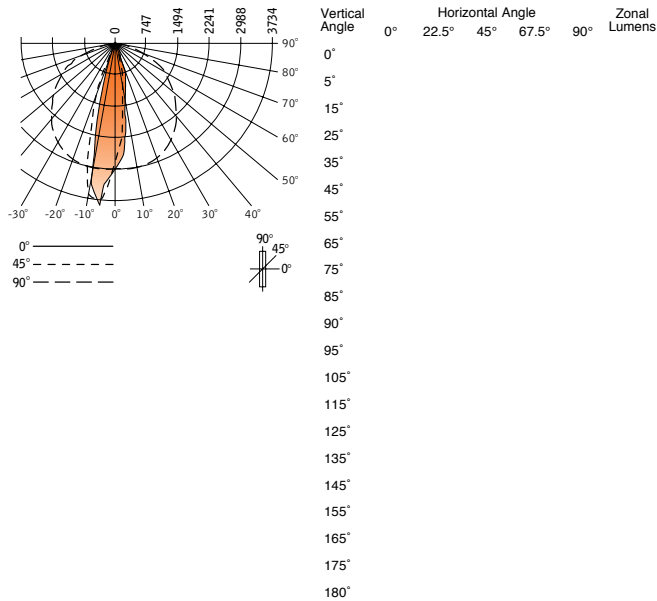
FLUORESCENT

FMG3-NS-1T5HO-UNV-S-WH-4'

Filename:
Test #: 14016.0

Lumens: 1864lm
Efficiency 37%

CANDLEPOWER DISTRIBUTION



LUMEN SUMMARY

Zone	Lumens	% Lamp	% Fixture
0-30°	1177	23.5	63.2
0-40°	1478	29.6	79.3
0-60°	1813	36.3	97.2
0-90°	1864	37.3	100
Total Luminaire 0-180°	1864	37.3	100

CO-EFFICIENTS OF UTILIZATION

	Floor				Ceiling				Wall			
	80	70	20	00	80	70	20	00	80	70	20	00
RCR 0	44	44	44	44	43	43	41	41	40	40	38	38
1	42	41	40	39	10	39	39	37	37	36	36	35
2	40	38	36	35	37	35	36	34	35	33	34	32
3	38	34	33	32	35	31	34	31	33	30	32	29
4	36	33	30	29	32	29	31	28	31	28	30	27
5	34	30	8	26	30	26	29	26	29	26	28	25
6	32	28	26	24	28	24	28	24	27	24	27	23
7	31	27	24	23	27	23	26	22	26	22	25	22
8	29	25	23	21	25	21	25	21	24	21	24	20
9	28	24	22	20	24	20	23	20	23	20	23	19
10	27	23	20	19	23	19	22	19	22	19	22	18

Numbers indicate percentage values of reflectivity.

Go to www.focalpointlights.com for additional photometric data.