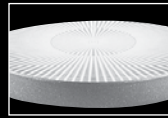


Metro™ 34

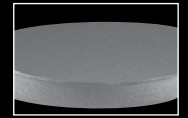
FLUORESCENT



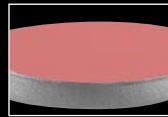
patterned



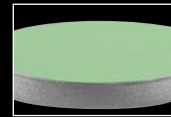
white



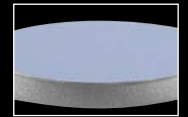
solid



cherry red



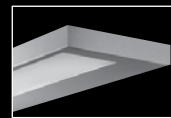
kelly green



sky blue

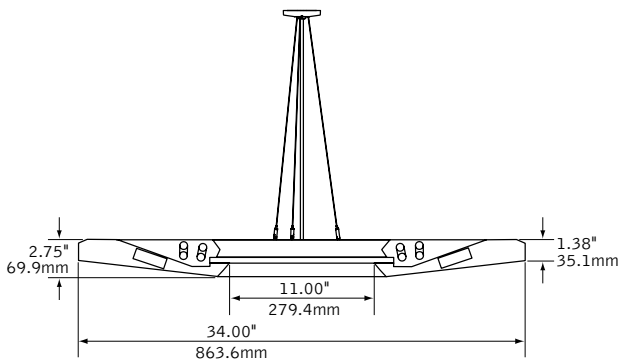


linear companion

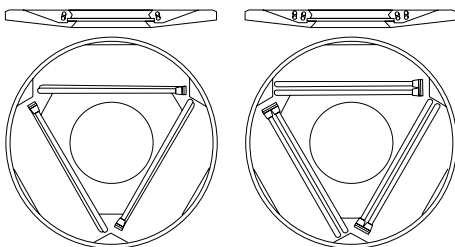


wall mount companion

DIMENSIONAL DATA



lamping options



(3-Lamp)

BIAX LAMPS

(6-Lamp)

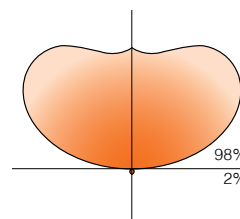
FEATURES

Low profile pendant mount fluorescent indirect with luminous acrylic diffuser.

Suspension options include 3-point aircraft cable or single point stem with 45° swivel.

Metro™ makes an exceptional aesthetic statement in conference rooms, cafeterias, private or open offices, reception areas or other high-end applications.

PERFORMANCE



PRODUCT OVERVIEW

Lumen Output: 6488-13079lm
 Wattage: 123-246W
 Lamping: Biax

3-Lamp 55W Biax

70% Efficient

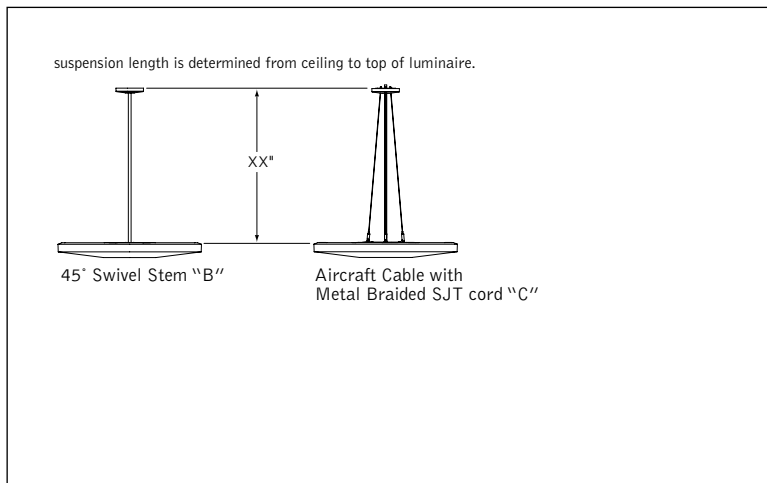
2169 cd @ 145°

Visit focalpointlights.com for complete photometric data.

fixture:

project:

SUSPENSION INFORMATION



SPECIFICATIONS

Construction

20 Ga. spun steel housing .036" min. thickness. 11" Dia. luminous acrylic diffuser. Canopy: 5" Dia. x .875"H, spun steel. Wiring compartment fabricated of 18Ga. C.R.S. Ballast is accessible by removing reflectors. Weight: 33 lbs.

Optic

Four piece 24 Ga. Hammertone aluminum reflectors. 11" Dia. x .375" thick luminous diffuser constructed of optical grade acrylic available as frosted white or with sunburst pattern. Solid housing option may also be specified. Optional red, green or blue color gel may be specified.

Electrical

Luminaires are pre-wired for single circuit with thermally protected Class "P" electronic ballast. Factory installed decorative metal braided power cord is included. White SJT power cord supplied for 347V. Optional dimming ballasts available. Consult factory for dimming specifications and availability. Lamp: Electronic Program start 160mA, <10%THD.

Labels

UL and cUL listed.

Finish

Polyester powder coat applied over a 5-stage pre-treatment.

ORDERING

Luminaire Series	FMEP	FMEP
Metro	FMEP	
Profile		34
34" Diameter	34	
Shielding		
Patterned Acrylic	PA	
Frosted White Acrylic	WA	
Solid Housing	SD	
Optional Color Gel <small>(Available on PA or WA option)</small>		
Cherry Red Gel	R	
Kelly Green Gel	G	
Sky Blue Gel <small>(Leave blank for no color)</small>	B	
Lamping		
3 Lamp BX40	3BX40	
6 Lamp BX40	6BX40	
Circuit		
Single Circuit	1C	
Dual Circuit <small>(Dual circuit available on 6-lamp only)</small>	2C	
Voltage		
120 Volt	120	
277 Volt	277	
347 Volt <small>(Consult factory for availability and dimming options)</small>	347	
Ballast		
Electronic Program Start <10% THD	S	
0-10V	D7	
Lutron 5% 3-wire	DH	
Lutron 5% H-Series	DK	
Suspension		
24" Aircraft Cable	C24	
48" Aircraft Cable	C48	
96" Aircraft Cable	C96	
6" 45° Swivel Stem	B6	
12" 45° Swivel Stem	B12	
18" 45° Swivel Stem	B18	
24" 45° Swivel Stem	B24	
36" 45° Swivel Stem	B36	
48" 45° Swivel Stem	B48	
<small>(White stems and canopies supplied standard. For non-white housings: to match stem and housing color, add M to ordering code (B12M). To match stem, canopy and housing color, add MC to ordering code (B12MC) (consult factory for other lengths)</small>		
Factory Options		
Emergency Battery Pack* <small>(EM option not available with swivel stem)</small>	EM	
HLR/GLR Fuse	FU	
Include 3000K Lamp*	L830	
Include 3500K Lamp*	L835	
Include 4100K Lamp*	L841	
Finish		
Titanium Silver	TS	
Matte Satin Housing	WH	

Metro™ 34

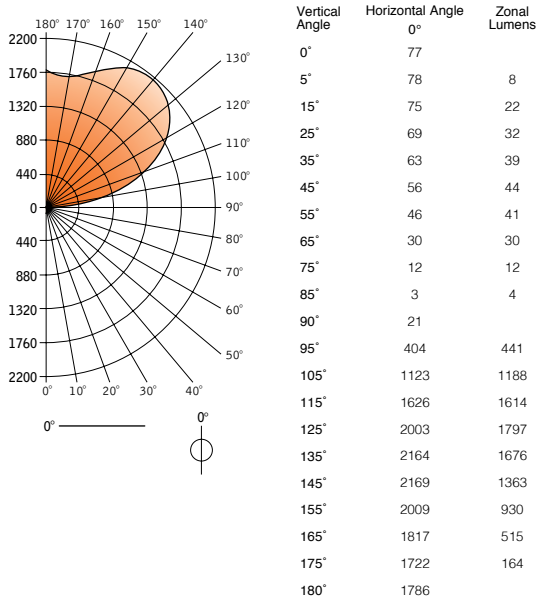
FLUORESCENT

FMEP-34-3BX55-1C-120-E-C24-TS

Filename: FMEP343BX55.IES
 Test #: 11903.1

Lumens: 9920lm
 Efficiency: 70%

CANDLEPOWER DISTRIBUTION



LUMEN SUMMARY

Zone	Lumens	% Lamp	% Fixture
0°-30°	61	0.4	0.6
0°-90°	230	1.6	2.3
90°-130°	5041	35.0	50.8
90°-180°	9689	67.3	97.7
Total Luminaire	9920	68.9	100.0

LUMINANCE DATA (cd/m²)

Vertical Angle	0°
45°	147
55°	148
65°	131
75°	84
85°	72

CO-EFFICIENTS OF UTILIZATION

	80				70				20				50				30				10				00					
Floor	70	50	30	10	70	50	30	10	50	10	50	10	50	10	50	10	50	10	50	10	50	10	50	10	50	10	50	10	50	10
Wall	0	0	0	0	0	0	0	0	0	0	0	0	0	0	0	0	0	0	0	0	0	0	0	0	0	0	0	0	0	0
RCR	0	0	0	0	0	0	0	0	0	0	0	0	0	0	0	0	0	0	0	0	0	0	0	0	0	0	0	0	0	0
1	60	57	55	52	51	49	45	34	32	20	19	07	07	01																
2	55	50	46	43	47	43	37	30	26	18	16	07	06	01																
3	50	44	39	35	42	38	31	26	22	16	13	06	05	01																
4	45	38	33	30	39	33	26	23	18	14	11	05	04	01																
5	41	34	29	25	35	29	22	21	16	12	10	05	04	01																
6	38	31	25	22	33	26	19	18	14	11	08	04	03	01																
7	35	27	23	19	30	24	17	17	12	10	07	04	03	01																
8	33	25	20	17	28	22	15	15	11	09	06	03	02	00																
9	30	23	18	15	26	20	13	14	09	08	06	03	02	00																
10	28	21	16	13	24	18	12	13	08	08	05	03	02	00																

Numbers indicate percentage values of reflectivity.

Go to www.focalpointlights.com for additional photometric data.