

Akeso™ Peak

FMA8L-PK | FMA8LE-PK | FMA8LR-PK

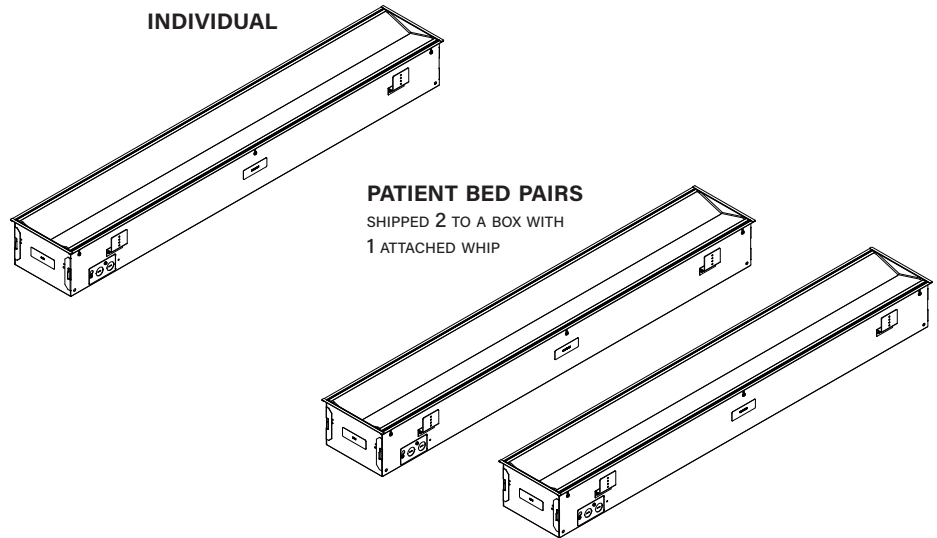


FOCAL POINT®

BEFORE YOU BEGIN

- Luminaires must be installed by a qualified electrician (check with local and national codes for proper installation).
- To prevent electrical shock, disconnect electrical supply before installation or servicing.
- Contractor is responsible for adequately reinforcing walls and/or ceilings to support fixture weight.
- Focal Point, LLC accepts no responsibility for inadequately reinforced walls and/or ceilings.
- The information contained in this drawing is the sole property of Focal Point, LLC. Any reproduction in part or whole without the written permission of Focal Point, LLC is prohibited.

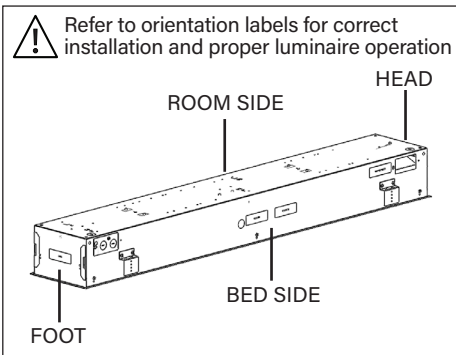
COMPONENT KEY



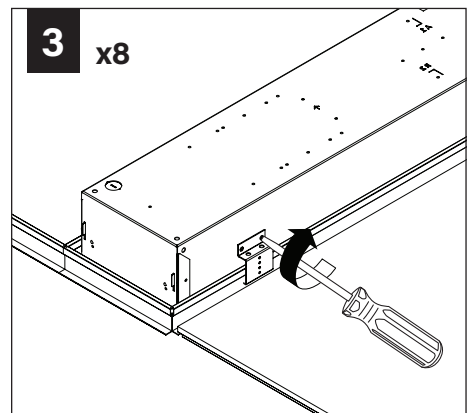
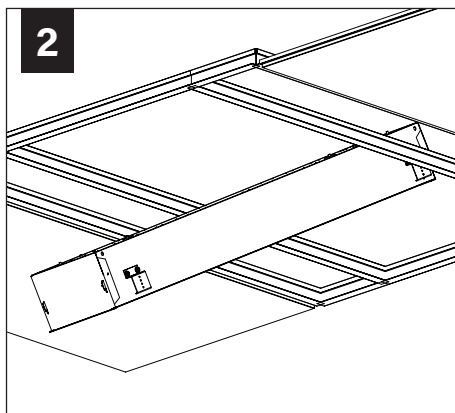
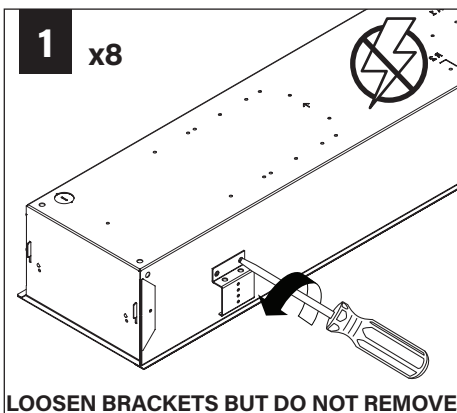
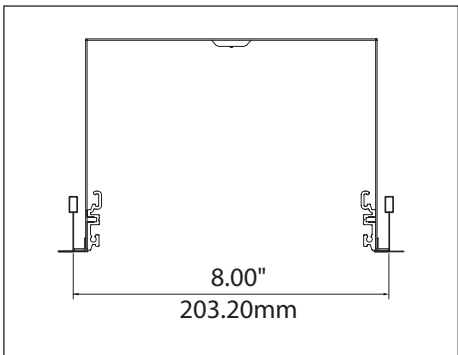
INSTRUCTION KEY

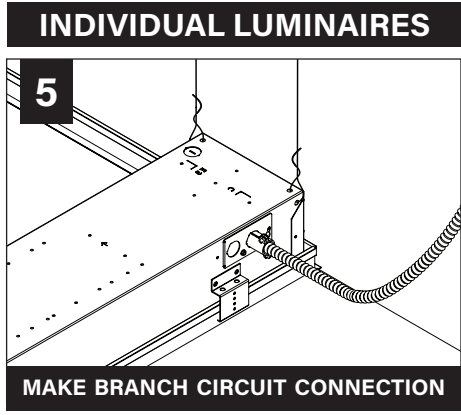
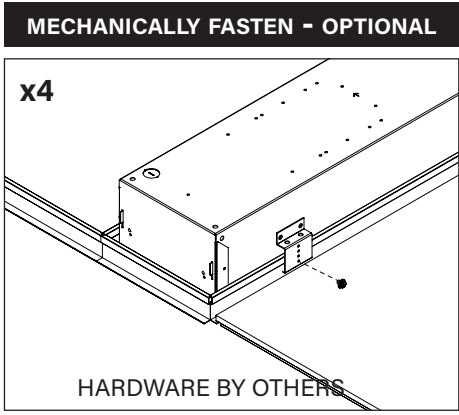
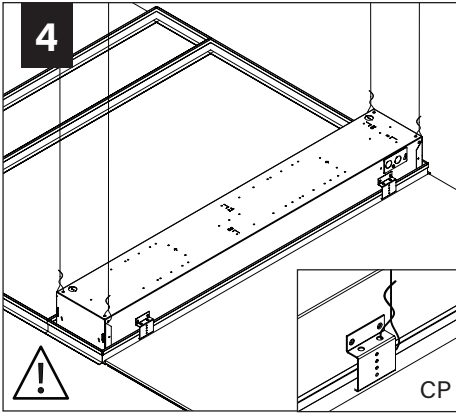
- ATTENTION**
- SEE ADDITIONAL INSTRUCTIONS**
- POWER OFF**
- POWER ON**

HOUSING ORIENTATION LABELS

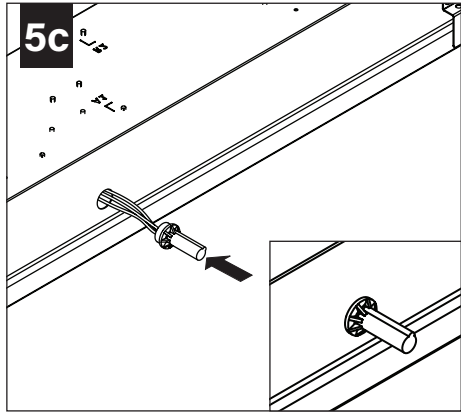
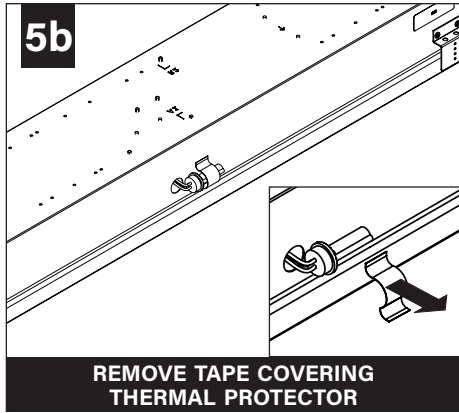
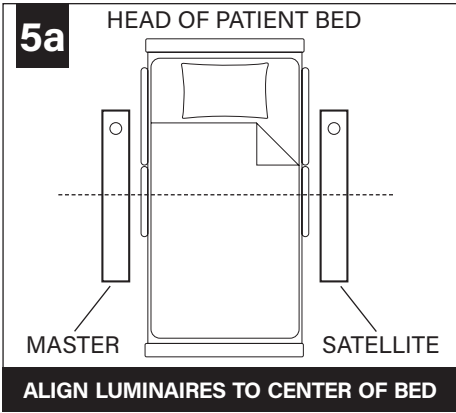


TEE SPACING

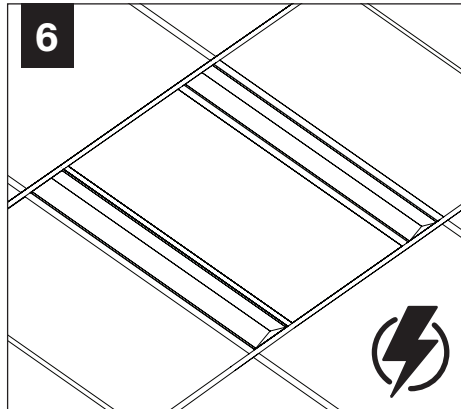
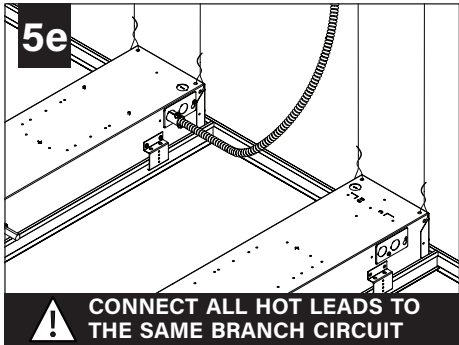
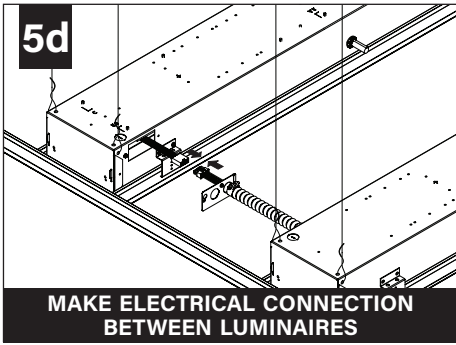




PATIENT BED PAIRS



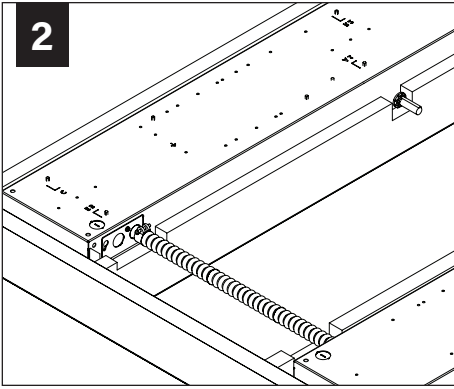
PATIENT BED PAIRS



DRYWALL INSTALLATION

1 CEILING STUDS MAY NEED TO BE NOTCHED TO ACCOMMODATE ELECTRICAL FEEDS AND THERMAL PROTECTOR

I SEE FOCAL POINT FRAME KIT INSTRUCTION SHEET IS160



SERVICE

