

# Apollo 2 2x4

FLUORESCENT RECESSED PATIENT BED LIGHT



## DIMENSIONAL DATA

lamping options

T8 LAMPS

T5/T5HO LAMPS

## FEATURES

2'x4' recessed indirect with acrylic diffuser.

Sealed optical compartment for easy cleaning and maintenance.

Extruded acrylic diffuser provides low brightness and even illumination.

The Apollo 2 luminaire, with its clean architectural design, is ideal for corridors and offices in healthcare applications.

## PERFORMANCE

**PRODUCT OVERVIEW**

Lumen Output: 4689-11265lm  
 Wattage: 62-177W  
 Lamping: T5, T5HO, T8

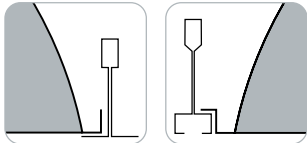
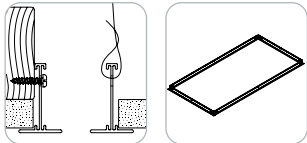
3-Lamp T8  
 75% Efficient  
 2100 cd @ 15°

Visit [focalpointlights.com](http://focalpointlights.com) for complete photometric data.

fixture:

project:

**MOUNTING INFORMATION**

<p><b>grid</b></p> <p>specify "G" for flat 9/16" and 15/16" tee or "ST" for 9/16" slot tee grid types.</p>  <p>"G" flat tee Luminaires cannot be installed in T-bar ceiling systems over 1.5" high in T8 lamp configurations.</p> <p>"ST" slot tee</p>	<p><b>drywall frame kit</b></p> <p>specify "DF" Drywall Frame Kit for drywall ceiling conditions.</p>  <p>Use tie-wire or screws to secure frame kit.</p> <p>cut out dimensions: 2': Min: 24.25" Max: 24.563" 4': Min: 48.25" Max: 48.563"</p>
---	---

**SPECIFICATIONS**

**Construction**

20 Ga. steel housing. Lamp compartment is sealed and enclosed by detachable extruded acrylic diffuser. Bottom access 20 Ga. steel ballast compartment. Weight: 32 lbs.

**Optic**

One-piece 20 Ga. steel side reflectors finished in Matte Satin White powder coat. 20 Ga. steel center reflector finished in High reflectance White.

**Electrical**

Ballasts are thermally protected and have a Class "P" rating. Optional dimming ballasts available. Consult factory for dimming specifications and availability.

**Labels**

UL and cUL listed.

**Finish**

Polyester powder coat applied over a 5-stage pre-treatment.

**ORDERING**

Luminaire Series	FMA2
Apollo 2	FMA2
<b>Nominal Size</b>	<b>24</b>
2' x 4'	24
<b>Lamp Quantity</b>	
Two Lamp	2
Three Lamp	3
<b>Lamp Type</b>	
T8	T8
T5	T5
T5HO	T5HO
<b>Circuit</b>	
Single Circuit	1C
Dual Circuit	2C
<small>(Multiple lamp luminaires only)</small>	
<b>Voltage</b>	
120 Volt	120
277 Volt	277
347 Volt	347
<small>(Consult factory for dimming options)</small>	
120/277 UNV Volt	UNV
<small>(Cannot be specified with EM option)</small>	
<b>Ballast</b>	
Electronic Program Start <10% THD	S
0-10V	D7
Lutron 1% 3-wire	DH
Lutron 1% H-Series	DK
<b>Mounting</b>	
Drywall Frame Kit	F
<small>(Cut out dimensions: Min: 24.25"/Max: 24.563" Min: 48.25"/Max: 48.563")</small>	
Grid Mount	G
Slot Tee	ST
<b>Factory Options</b>	
Chicago Plenum	CP
Emergency Battery Pack*	EM
Positional Clips	EQ
Single Fuse and Holder	FU
Include 3000K Lamp*	L830
Include 3500K Lamp*	L835
Include 4100K Lamp*	L841
Separate Circuit Tandem*	SCT
Labor Saving Master Satellite*	LS
Ballast Saving Tandem*	BST
<b>Finish</b>	
Matte Satin White	WH
Matte Satin White Anti-Microbial	WHA

# Apollo 2 2x4

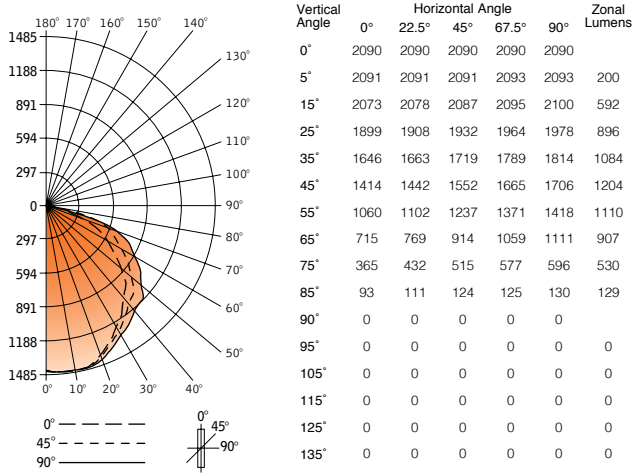
FLUORESCENT

## FMA2-24-3-T8-1C-120-E-G-WH

Filename: FMA2243T8.IES  
 Test #: 12333.0

Lumens: 6651lm  
 Efficiency: 75%

### CANDLEPOWER DISTRIBUTION



### LUMEN SUMMARY

Zone	Lumens	% Lamp	% Fixture
0-30°	1687	19.1	25.4
0-40°	2771	31.3	41.7
0-60°	5085	57.5	76.5
0-90°	6651	75.1	100.0
<b>Total Luminaire 0-180°</b>	<b>6651</b>	<b>75.1</b>	<b>100.0</b>

### LUMINANCE DATA (cd/M²)

Vertical Angle	0°	45°	90°
45°	2845	3123	3433
55°	2630	3069	3518
65°	2407	3077	3741
75°	2007	2831	3277
85°	1518	2024	2122

### CO-EFFICIENTS OF UTILIZATION

Floor Ceiling Wall	80				70			20 50		30		10		00
	70	50	30	10	70	50	10	50	10	50	10	50	10	
RCR 0	89	89	89	89	87	87	87	83	83	80	80	77	77	75
1	82	79	75	73	80	77	71	74	69	71	67	68	65	64
2	75	69	64	59	73	67	59	65	57	62	56	60	55	53
3	68	61	55	50	67	59	49	57	48	55	48	53	47	45
4	63	54	47	42	61	53	42	51	42	49	41	47	40	38
5	57	47	40	35	55	46	35	45	35	43	34	42	34	32
6	52	42	35	30	51	41	30	40	30	39	30	37	29	28
7	48	38	31	26	47	37	26	36	26	35	26	34	26	24
8	44	34	27	23	43	33	27	32	26	31	26	30	22	21
9	41	30	24	19	39	30	19	29	19	28	19	27	19	18
10	38	27	21	17	37	27	17	26	17	25	17	25	17	15

Numbers indicate percentage values of reflectivity.

Go to [www.focalpointlights.com](http://www.focalpointlights.com) for additional photometric data.