

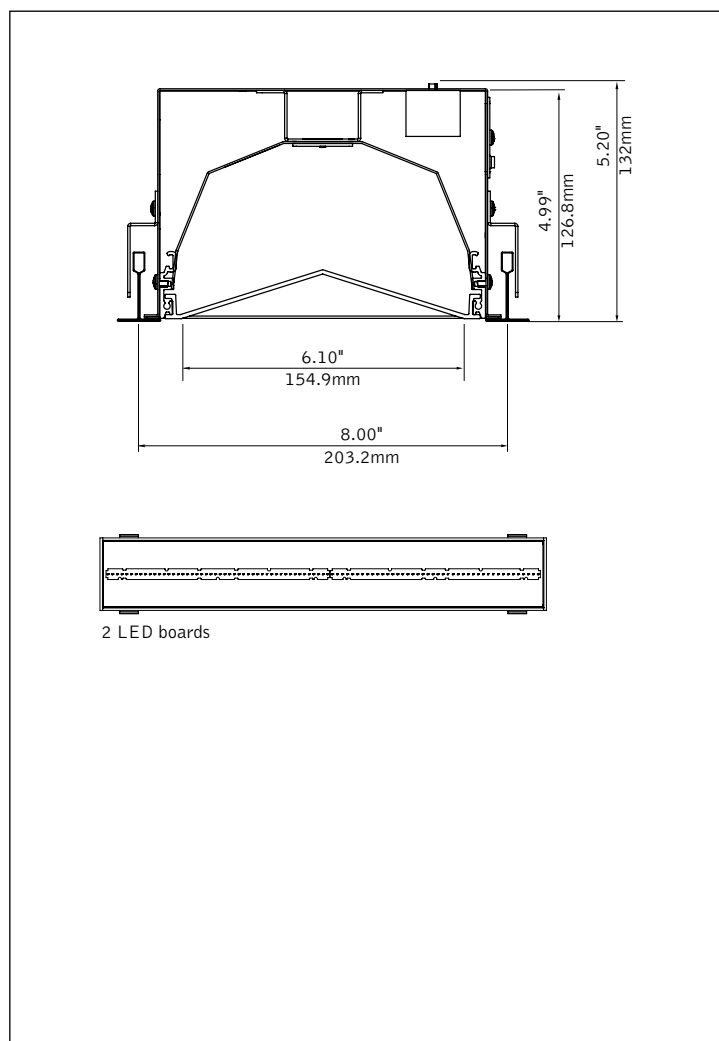
Akeso™ Peak Ambient only

LED



Peak detail

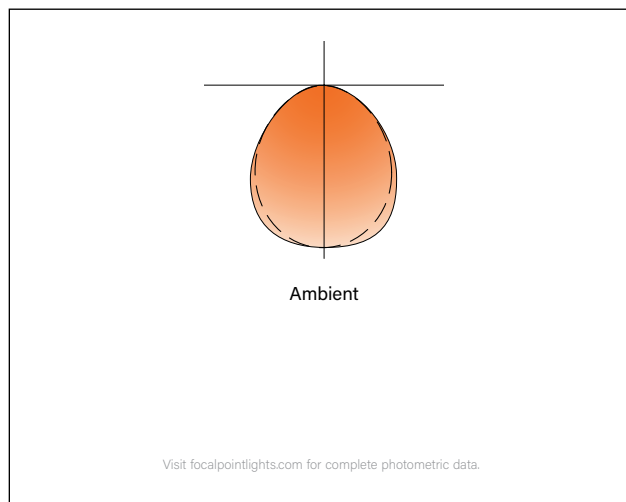
DIMENSIONAL DATA



FEATURES

- LED healthcare luminaire featuring a peaked, symmetrical lens.
- Used as a tandem overbed luminaire or single fixture for ambient illumination.
- Master-satellite configuration with quick electrical connection.
- 8" wide x 4' long for easy installation in grid and drywall ceilings.
- Gasketed, impact-modified lens providing up to ten times the impact strength of standard acrylics.
- Below ceiling access to LED boards and drivers.
- Custom Curbell dimmable low voltage controller option enables dimming capabilities from a bedside pillow speaker.

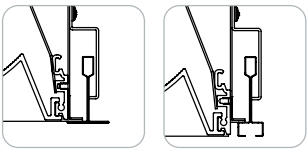
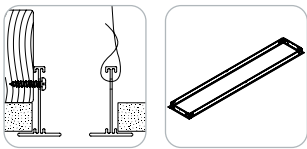
PERFORMANCE



fixture:

project:

MOUNTING INFORMATION

<p>grid</p> <p>specify "G" for flat 9/16" and 15/16" tee or "ST" for 9/16" slot tee grid types.</p>  <p>"G" flat tee "ST" slot tee</p>	<p>drywall frame kit</p> <p>specify "F" Drywall Frame Kit for drywall ceiling conditions.</p>  <p>Use tie-wire or screws to secure frame kit.</p> <p>cut out dimensions: 8": Min: 8.3125" Max: 8.625" 4": Min: 4.8.325" Max: 4.8.6875"</p>
---	--

SPECIFICATIONS

LED System

Proprietary linear LED module incorporates premium LEDs on a robust platform to achieve excellent thermal management. LEDs are placed to promote a uniform appearance. Available in 3000K, 3500K, 4000K and 5000K with both 80+ and 90+ CRI options. 3500K and 4000K with CRI>90 have a cyanosis observation index (COI) of 3.3 or less. 0-10V dimming driver standard. LED modules and drivers are replacement from below. Color accuracy <3 SDCM.

Construction

20 Ga. Steel housing. LEDs sealed and enclosed by detachable acrylic diffuser. End of lens sealed by silicone gasket. Side access plate for electrical connection. Positional clips standard. Weight 20.6lbs

Optic

One piece 18 Ga. Aluminum reflector finished in matte white.

Electrical

An optional Low Voltage Controller (LVC) allows control of the light sources from a pillow speaker, bed communication side rail device, or momentary dry contact switch. The LVC is configurable to operate with one to three switches, depending on the number of light sources in the fixture and the configuration of buttons on the pillow speaker. The controller also enables dimming of the light sources. It is FCC compliant and will not cause harmful interference. LVC leads are factory labeled.

Emergency Battery

Emergency output—10 watts for 90 minutes. Maximum mounting height: 24ft.

Labels

UL and cUL listed. IP65 per IEC 60529 ensures that the enclosure is dust-tight and protected against jet streams of water from any direction without any harmful effects. NSF2 listed, evaluated for corrosion resistance, cleanability, and the ability of exposed materials to withstand normal wear.

Finish

Antimicrobial polyester powder coat applied over a multi-stage pre-treatment.

Lumen Maintenance

Reported: L70 > 61,000 hours	Calculated: L70 at 480,000 hours
L90 > 61,000 hours	L90 at 128,000 hours

Derived from EPA TM-21 calculator. Based on typical conditions, consult factory for additional data.

Reliability

At Focal Point, our products are designed to stand the test of time. Each luminaire is engineered using superior components, manufactured with the utmost care and rigorously tested. Contact us for reliability data.

Warranty

LED system rated for operation in ambient environments up to 25°C. 5-year limited warranty.

PERFORMANCE CHART

Delivered Lumens	80+ CRI		90+ CRI	
	Tested System Watts	LPW	Tested System Watts	LPW
2000	14.97	134	17.43	115
2500	18.54	135	22.48	111
3000	23.02	130	27.11	111
3500	26.99	130	31.97	109
4000	31.06	129	37.00	108
4500	35.33	127	42.12	107

Based on 3500k. Lumen output may vary +/- 5%. Actual wattage may vary +/- 5%

Focal Point LLC reserves the right to change specifications for product improvement without notification.

ORDERING

Luminaire Series	FMA8L	FMA8L
Akeso Ambient Only		
Nominal Size	84	84
8" x 4"		
Shielding	PK	PK
Peak Acrylic Lens		
Lumen Output		
2000 Lumens	2000L	
2500 Lumens	2500L	
3000 Lumens	3000L	
3500 Lumens	3500L	
4000 Lumens	4000L	
4500 Lumens	4500L	
<small>(Consult factory for custom lumen options)</small>		
Color Temperature		
3000K, 80+ CRI or 90+ CRI	30K or 930K	
3500K, 80+ CRI or 90+ CRI	35K or 935K	
4000K, 80+ CRI or 90+ CRI	40K or 940K	
5000K, 80+ CRI or 90+ CRI	50K or 950K	
Circuit		1C
One Circuit	1C	
Voltage		
120/277 UNV Volt	UNV	
347 Volt	347V	
<small>(L11 & all LVC options only. Transformer required for all LVC options)</small>		
Control System & Dimming Level		
0-10V - 1% Dimming	L11	
0-10V - 10% Dimming	LD1	
Lutron Hi-Lume EcoSystem (LDE1) - 1% Dimming	LH1	
DALI - 1% Dimming	D11	
Step Dimming	SD5	
Low Voltage Controller - On/Off (1-button pillow speaker)	LVC	
Low Voltage Controller - 1% Dimming (1-button pillow speaker)	LVC1	
Low Voltage Controller - Step Dimming (1-button pillow speaker)	LVCP	
<small>(Consult factory for alternate LVC wiring configurations or Acuity nLight & Wattstopper DLM options)</small>		
Mounting		
Drywall Frame Kit	F	
Grid	G	
Slot Tee	ST	
Factory Options		
Chicago Plenum (not Available with Flex Whip)	CP	
Emergency Circuit (Consult factory for LVC options)	EC	
Emergency Circuit with Generator Transfer Device (120/277 Volt only. Not Available with EC or EM. Consult factory for LVC options)	ECGT	
Emergency Battery (120/277 Volt only. Consult factory for LVC options)	EM	
6' New York City Flex Whip (120V)	FNY1	
6' New York City Flex Whip (277V)	FNY2	
6' Flex Whip	FW	
IP65 Rated (not Available with Flex Whip)	IP65	
NSF Listed	NSF	
Finish		WHA
Matte Satin White Antimicrobial	WHA	