

Akeso™ Peak Ambient + Exam + Reading Light

LED



Reader function shown



Ambient function



Peak detail

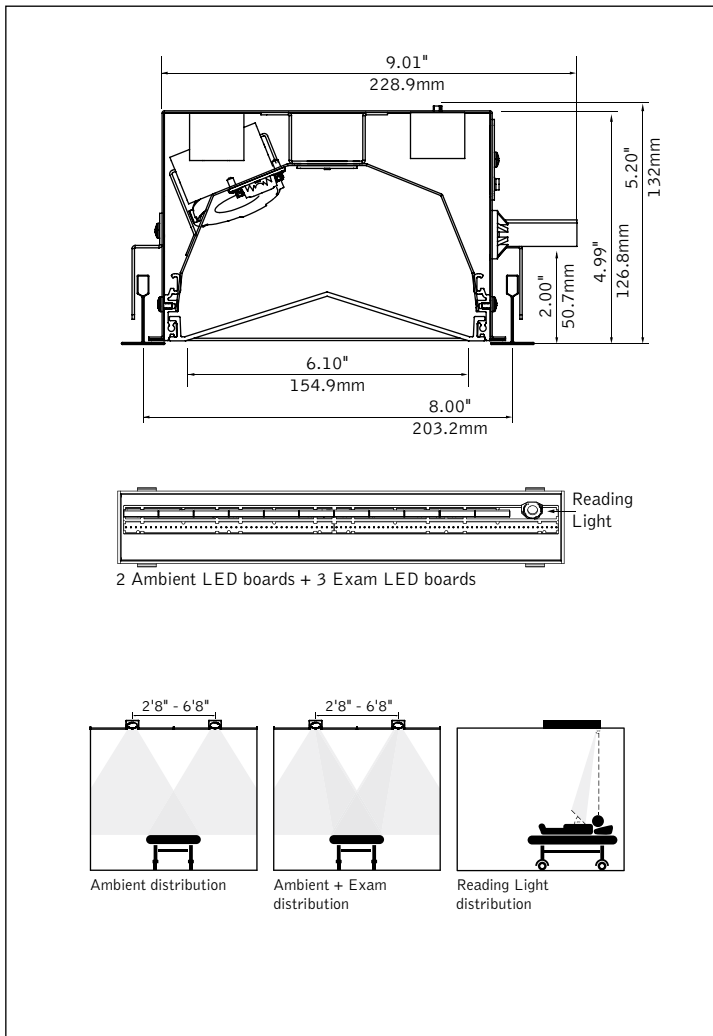


Pitch companion



Exam function

DIMENSIONAL DATA



FEATURES

Integrated LED healthcare luminaire featuring a peaked, symmetrical lens.

Tandem overbed luminaire offering ambient and exam functions, and a reading light.

Master-satellite configuration with quick electrical connection.

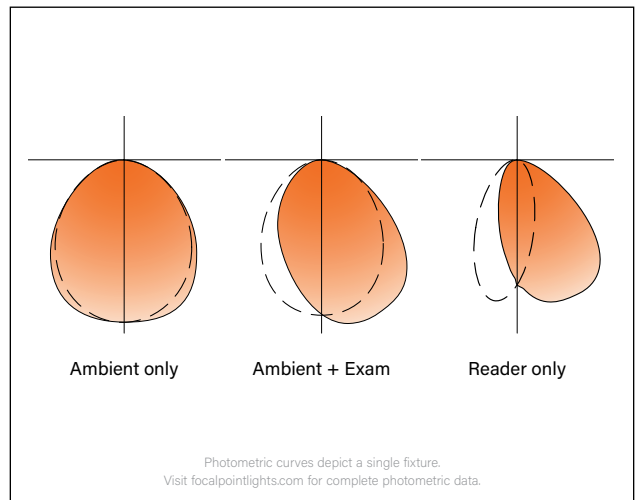
8" wide x 4' long for easy installation in grid and drywall ceilings.

Gasketed, impact-modified lens providing up to ten times the impact strength of standard acrylics.

Below ceiling access to LED boards and drivers.

Custom Curbell dimmable low voltage controller option enables dimming capabilities from a bedside pillow speaker.

PERFORMANCE

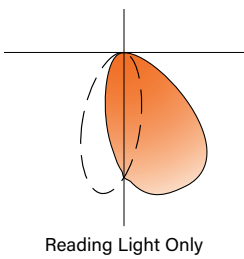


FIXTURE PAIR PERFORMANCE CHART (FMA8LR) - AMBIENT + EXAM FUNCTIONS

Lumen Output	Function	Delivered Lumens	80+ CRI		90+ CRI	
			Tested System Watts	LPW	Tested System Watts	LPW
10300	Ambient Only	2800	20.3	138	23.7	118
	Ambient + Exam	10300	76.7	134	91.1	113
10400	Ambient Only	4300	31.1	138	36.7	117
	Ambient + Exam	10400	76.1	137	90.2	115
10500	Ambient Only	5700	41.7	137	48.9	117
	Ambient + Exam	10500	77.1	136	90.2	116
11000	Ambient Only	2800	20.3	138	23.7	118
	Ambient + Exam	11000	82.6	133	98.3	112
12000	Ambient Only	4300	31.1	138	36.7	117
	Ambient + Exam	12000	89.2	135	106.1	113
13000	Ambient Only	5700	41.7	137	48.9	117
	Ambient + Exam	13000	96.5	135	113.7	114

Values are the total from a fixture pair, 3500k. Lumen output may vary +/- 5%. Actual wattage may vary +/- 5%. Photometric curves depict a single fixture.

FIXTURE PAIR PERFORMANCE CHART - READING FUNCTION



Lumen Output	Function	Delivered Lumens	80+ CRI		90+ CRI	
			Tested System Watts	LPW	Tested System Watts	LPW
1700	Reading	1700	19.8	86	24.2	70
2100	Reading	2100	24.7	85	30.6	69
2500	Reading	2500	29.7	84	-	-

Values are the total from a fixture pair, 3500k. Lumen output may vary +/- 5%. Actual wattage may vary +/- 5%. Photometric curves depict a single fixture.