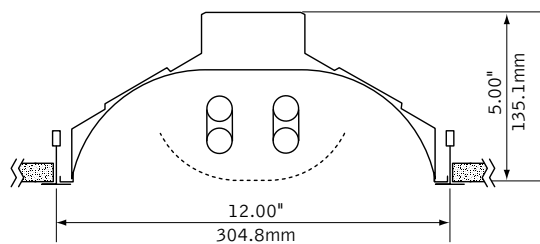


Luna[®] 1x1

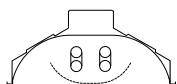
FLUORESCENT



DIMENSIONAL DATA



lamping options



BIAX LAMPS

FEATURES

1'x1' recessed indirect offers a distinct aesthetic in a compact form that highlights interior architecture.

Reflector and end caps form seamless one-piece housing.

High reflectance, low gloss Matte White finish controls glare and provides high efficiency.

Luminaire may be mounted in acoustical grid or drywall ceiling.

Perforated shield snaps out for easy relamping.

Luna[®] provides high angle uniform distribution ideal for corridors, entries and small offices.

PERFORMANCE

PRODUCT OVERVIEW

Lumen Output:	1337lm
Wattage:	37W
Lamping:	Biax

2-Lamp 18W Biax

54% Efficient

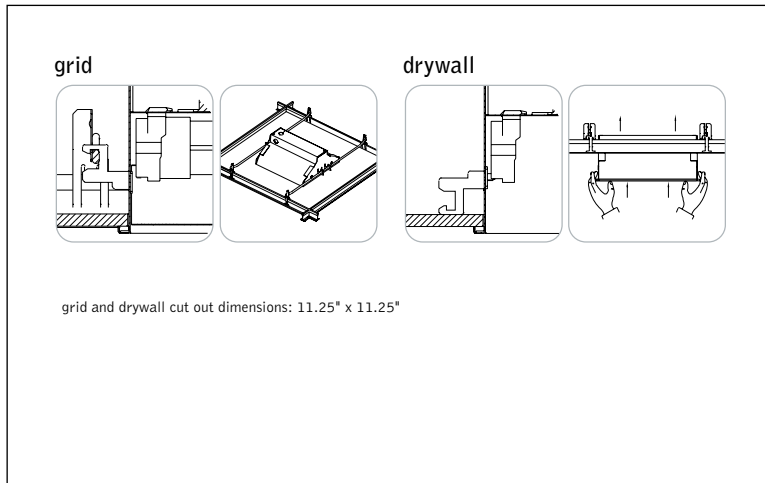
521 cd @ 0°

Visit focalpointlights.com for complete photometric data.

fixture:

project:

MOUNTING INFORMATION



SPECIFICATIONS

Construction

One-piece 20 Ga. steel reflector and housing. 20 Ga. steel ends form finished housing. Lamps are shielded by detachable 22 Ga. steel perforated lamp shield with acrylic lens insert. Top access 20 Ga. steel ballast compartment. Weight: 5 lbs.

Optic

One-piece 20 Ga. steel reflectors finished in Matte Satin White powder coat.

Electrical

Electronic ballasts are thermally protected and have a Class "P" rating. Consult factory for dimming specifications and availability.

Labels

UL and cUL listed.

Finish

Polyester powder coat applied over a 5-stage pre-treatment.

ORDERING

Luminaire Series	Luna	FLU	FLU
Nominal Size	1' x 1'	11	
Shielding	Perforated Shield	PS	PS
Lamp Quantity	Two Lamps	2	2
Lamp Type	18 Watt Biax	BX18	BX18
Circuit	Single Circuit	1C	1C
Voltage	120 Volt	120	
	277 Volt	277	
Ballast	Electronic Program Start	<10% THD	S
Mounting	Universal	U	
Factory Options	Chicago Plenum	CP	
	HLR/GLR Fuse	FU	
	Include 3000K Lamp*	L830	
	Include 3500K Lamp*	L835	
	Include 4100K Lamp*	L841	
Finish	Matte Satin White	WH	WH

Luna® 1x1

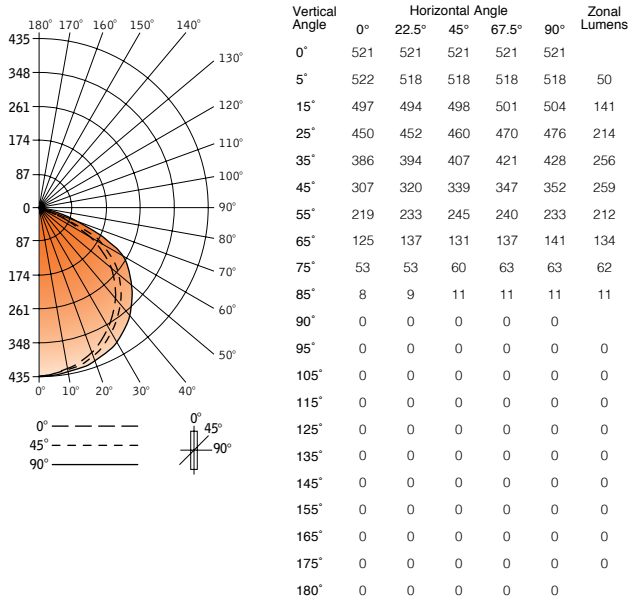
FLUORESCENT

FLU-11-B-2-BX18-E-120-U-PS-WH

Filename: FLU112BX18PS.IES
 Test #: 11719.0

Lumens: 1337lm
 Efficiency 54%

CANDLEPOWER DISTRIBUTION



LUMEN SUMMARY

Zone	Lumens	% Lamp	% Fixture
0-30°	404	16.2	30.2
0-40°	660	26.4	49.4
0-60°	1130	45.2	84.6
0-90°	1337	53.5	100.0
Total Luminaire 0-180°	1337	54	100

LUMINANCE DATA (CD/M²)

Vertical Angle	0°	45°	90°
45°	5488	6060	6292
55°	4826	5399	5135
65°	3739	3918	4217
75°	2588	2930	3077
85°	1160	1595	1595

CO-EFFICIENTS OF UTILIZATION

Floor Ceiling Wall	80				70				20 50		30		10		00	
	70	50	30	10	70	50	10	50	10	50	10	50	10	50	10	00
RCR 0	64	64	64	64	62	62	62	59	59	57	57	55	55	53	53	53
1	59	57	55	53	58	56	52	53	51	51	49	50	48	47	47	
2	54	51	47	45	53	50	44	48	43	46	42	45	41	40	40	
3	50	45	41	38	49	44	38	43	37	41	37	40	36	35	35	
4	46	40	36	33	45	40	33	38	32	37	32	36	31	30	30	
5	42	36	31	28	41	35	28	34	28	33	27	32	27	26	26	
6	39	32	28	24	38	32	24	31	24	30	24	29	24	23	23	
7	36	29	25	21	35	29	21	28	21	27	21	26	21	20	20	
8	33	26	22	19	32	26	18	25	18	24	18	24	18	17	17	
9	30	23	19	16	30	23	16	22	16	22	16	21	16	15	15	
10	28	21	17	14	28	21	14	20	14	20	14	19	14	13	13	

Numbers indicate percentage values of reflectivity.

Go to www.focalpointlights.com for additional photometric data.