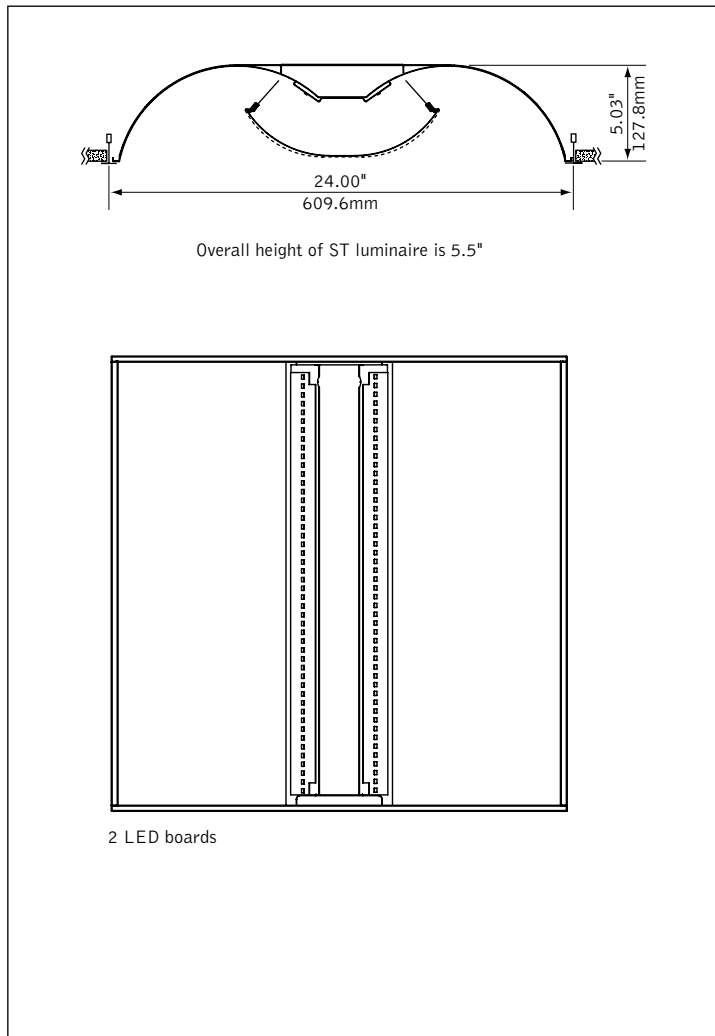


Luna[®] 2x2

LED



DIMENSIONAL DATA



FEATURES

- Architectural recessed LED luminaire with perforated center basket.
- Classic style updated with the latest technology.
- Reflector and end caps form seamless one-piece housing.
- High reflectance, low gloss Matte White finish controls glare.
- Comparable output to fluorescent versions with reduced wattage.
- Luna[®] LED provides high angle uniform distribution ideal for comfortable general illumination.
- Connected Solutions: Integrates with wired and wireless building lighting control systems.
- Preferred Light: Lighting for better color rendition and human preference.
- PoE compatible: Integrates with Power over Ethernet lighting systems via standard, low-voltage wires.

PERFORMANCE

| PRODUCT OVERVIEW | |
|------------------|-------------|
| Lumen Output: | 2000-4000lm |
| Wattage: | 23-48W |
| LPW: | 84-89 |
| SDCM: | 3 |

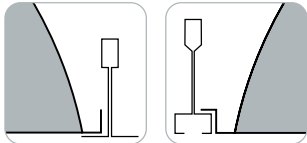
Delivered Lumens: 2500lm
Total System Watts: 28W

Photometric performance is measured in accordance with IESNA LM-79. Visit focalpointlights.com for complete photometric data.

MOUNTING INFORMATION

grid

specify "G" for flat 9/16" and 15/16" tee or "ST" for 9/16" slot tee grid types.

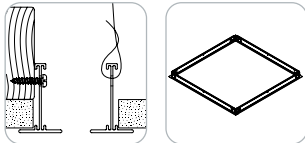


"G" flat tee "ST" slot tee

Overall height for ST luminaire is 5.50".

drywall frame kit

specify "DF" Drywall Frame Kit for drywall ceiling conditions.



Use tie-wire or screws to secure frame kit.

cut out dimensions:
2': Min: 24.25"
Max: 24.563"

SPECIFICATIONS

LED System

Proprietary linear LED module incorporates premium LEDs on a robust platform to achieve excellent thermal management. LEDs are placed to promote a uniform appearance. Available in 2700K, 3000K, 3500K or 4000K with CRI>80 or CRI>90. 3500K and 4000K with CRI>90 have a cyanosis observation index (COI) of 3.3 or less. 0-10V dimming driver standard. LED modules and drivers are replaceable.

Construction

One-piece 20 Ga. steel reflector and housing. 20 Ga. steel ends form finished housing.LEDs are shielded by detachable 22 Ga. steel perforated shield with acrylic lens insert. LED shield is secured by four spring-pins allowing shield to hinge down for maintenance. Top access 20 Ga. steel driver compartment. Weight: 29 lbs.

Optic

One-piece 20 Ga. steel reflectors finished in Matte Satin White powder coat.

Electrical

Standard 120-277V driver includes 0-10V analog dimming, dimming range 100% - 10% Power factor > .9. PoE compatible: Integrates with Power over Ethernet lighting systems via standard, low-voltage wires.

Emergency

Emergency battery output—10 watts for 90 minutes. High Output emergency battery—20 watts for 90 minutes (UNV only). Emergency Circuit with Connected Solutions (NLT1, ENL1, CLM1, CLMZ1, DLM1) requires a UL924 compliant device, consult factory.

Labels

UL and cUL Listed. Suitable for Dry or Damp Locations, indoor use only.

Finish

Polyester powder coat applied over a multi-stage pre-treatment. Optional Anti-Microbial paint finish available.

Lumen Maintenance

Reported: L70 > 60,000 hours Calculated: L70 at > 124,000 hours
 L80 > 60,000 hours L80 at > 78,000 hours

(Derived from EPA TM-21 calculator. Based on typical conditions, consult factory for additional data.)

Reliability

At Focal Point, our products are designed to stand the test of time. Each luminaire is engineered using superior components, manufactured with the utmost care and rigorously tested. Contact us for reliability data.

Lifetime and warranty

LED System rated for operation in ambient environments up to 25°C. 5-year limited warranty.

PERFORMANCE CHART

| Delivered Lumens | Tested System Watts | LPW |
|------------------|---------------------|-----|
| 2000 Lumens | 23 | 89 |
| 2500 Lumens | 28 | 88 |
| 3000 Lumens | 34 | 87 |
| 3500 Lumens | 41 | 85 |
| 4000 Lumens | 48 | 84 |

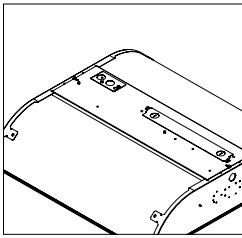
Based on 3500K, 80 CRI. Lumen multipliers: Preferred Light = 0.65, 90+ CRI = 0.87. Lumen output may vary +/- 5%. Actual wattage may vary +/- 5%.

ORDERING

| | | |
|--|-------------|-------------|
| Luminaire Series | FLUL | FLUL |
| Luna LED | FLUL | |
| Nominal Size | | 22 |
| 2' x 2' | 22 | |
| Shielding | | PS |
| Perforated Shield | PS | |
| Lumen Output | | |
| 2000 Lumens | 2000L | |
| 2500 Lumens | 2500L | |
| 3000 Lumens | 3000L | |
| 3500 Lumens | 3500L | |
| 4000 Lumens | 4000L | |
| <small>(LD1 & LT1 only)</small> | | |
| Color Temperature | | |
| 2700K, 80+ CRI or 90+ CRI | 27K or 927K | |
| 3000K, 80+ CRI or 90+ CRI | 30K or 930K | |
| 3500K, 80+ CRI or 90+ CRI | 35K or 935K | |
| 4000K, 80+ CRI or 90+ CRI | 40K or 940K | |
| 3500K, Preferred Light | P35K | |
| Circuit | | 1C |
| Single Circuit | 1C | |
| Voltage | | |
| UNV 120/277 Volt | UNV | |
| Low Voltage | LV | |
| Control System & Dimming Level | | |
| 0-10V - 1% Dimming | L11 | |
| 0-10V - 10% Dimming | LD1 | |
| Low Voltage, PoE compatible | LVN | |
| <small>(No driver. Not available with EM or EC. LV Voltage only)</small> | | |
| Lutron Hi-Lume EcoSystem (LDE1) - 1% Dimming | LH1 | |
| Lutron 5-Series EcoSystem (LDE5) - 5% Dimming | LU5 | |
| Acuity nLight - 1% Dimming | NLT1 | |
| <small>(Not available with CP)</small> | | |
| Enlighted Smart Sensor - 1% Dimming | ENL1 | |
| Osram Connected Lighting Module for ENCELIUM systems - 1% Dimming | CLM1 | |
| <small>(Compatible with Osram ENCELIUM and ENCELIUM EDGE systems only)</small> | | |
| Osram Connected Lighting Module for ZigBee Wireless Networks - 1% Dimming | CLMZ1 | |
| <small>(Not compatible with Osram ENCELIUM systems)</small> | | |
| Wattstopper DLM - 1% Dimming | DLM1 | |
| Mounting | | |
| 24" Aircraft Cable | C24 | |
| 48" Aircraft Cable | C48 | |
| 96" Aircraft Cable | C96 | |
| Drywall Frame Kit | F | |
| <small>(LD1, LT1, LH1 & LU5 only)</small> | | |
| <small>(Cut out dimensions: Min: 24.25"/Max: 24.563")</small> | | |
| Grid | G | |
| Slot Tee | ST | |
| Surface Mount | SM | |
| <small>(Not available with DLM1 or NLT1)</small> | | |
| Factory Options | | |
| Air Return | AR | |
| <small>(Adds 0.875" to overall height)</small> | | |
| Chicago Plenum | CP | |
| Emergency Battery | EM | |
| <small>(Adds 3.25" to overall height)</small> | | |
| High Output Emergency Battery | B20 | |
| <small>(Adds 3.25" to overall height. UNV only)</small> | | |
| Positional Clips | EQ | |
| 6' New York City Flex Whip (120V) | FNY1 | |
| 6' New York City Flex Whip (277V) | FNY2 | |
| 6' Flex Whip | FW | |
| Finish | | |
| Matte Satin White | WH | |
| Matte Satin White Anti-Microbial | WHA | |

QS 5/10 DAY Options in orange qualify for the Quickship program. 5-day up to 100 pieces, 10-day up to 300 pieces. Refer to Quickship Guide for complete details.

Focal Point provides flexibility in meeting the needs of each project by integrating with several building lighting control systems. A variety of sensors, drivers and other components can be specified that allow the luminaires to communicate with wired and wireless networks. All zoning can be digitally reconfigured through the application software. Daylight harvesting, occupancy sensing, integration with HVAC systems, and individual controls enable the monitoring and modulating of light levels and temperature in order to save energy, reduce costs and maximize occupants' comfort. All Connected Solutions luminaires require a compatible building control system.†



nLight[®] provides a two-way wired digital lighting system allowing for on/off and dimming functionality, occupancy sensing, and multi-zone daylight harvesting.

Acuity nLight - 1% Dimming (NLT1)
Acuity Model #nEPS-60-IO

CAT-5 Cable provided by others. Serial labels will be provided on outside of luminaires and control unit.



Enlighted smart sensor allows for occupancy sensing, daylight harvesting, energy usage, temperature and light level control. Communicates wirelessly with the Enlighted network.

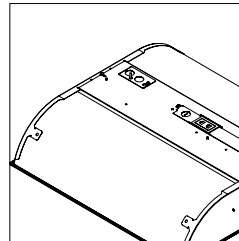
Enlighted Smart Sensor - 1% Dimming (ENL1)
Enlighted Model #SU-5E-IOT



Connected Lighting Module (CLM) enables each luminaire to be independently controlled and configured. Communicates wirelessly with Daintree Networks[®], Osram ENCELIUM[®], Osram ENCELIUM EDGE[™], and other networks using the ZigBee[®] HA communication protocol to allow for on/off and dimming functionality, occupancy sensing and multi-zone daylight harvesting.

Osram CLM - 1% Dimming (CLM1 & CLMZ1)
Osram Model #ZBHA-CLM DIM

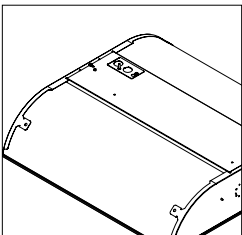
Serial labels will be provided on outside of luminaires and control unit.



A Digital Lighting Management (DLM) system that provides two-way wired communication between networked luminaires and control system to allow for on/off and dimming functionality, occupancy sensing and multi-zone daylight harvesting.

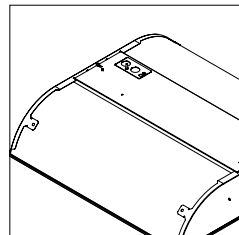
Wattstopper DLM - 1% Dimming (DLM1)
Wattstopper Model #LMFC-011

CAT-5 Cable provided by others. Serial labels will be provided on outside of luminaires and control unit.



A two-way digital network that enables on/off and dimming functionality, occupancy sensing, and multi-zone daylight harvesting working with Quantum[®], Energi Savr Node[™], and Energi TriPak[®] using EcoSystem[®] communication protocol.

Lutron Hi-Lume EcoSystem - 1% Dimming (LH1)
Lutron Model #LDE1
Lutron 5-Series EcoSystem - 5% Dimming (LU5)
Lutron Model #LDE5



A two-way digital network that enables on/off and dimming functionality, occupancy sensing, and multi-zone daylight harvesting. Communicates with Züm wireless and SpaceBuilder working with Züm hub scheduling or FUSION management.

0-10V - 1% Dimming (L11)
Note: 0-10V is not a digital network but is compatible with Creston Züm™ system.

CONNECTED SOLUTIONS DETAILS

| Connected Solution | Model # | Protocol | Compatible Networks* | Occupancy | Daylight | Temperature Reporting | Communication to Luminaire | Drivers |
|--|------------------|--------------|--|------------|------------|-----------------------|----------------------------|---|
| Acuity nLight (NLT1) | nEPS-60-IO** | nLight | nLight | Enabled | Enabled | No | Wired | eldoLED ECOdrive , eldoLED SOLOdrive |
| Crestron (L11) | Specified Driver | 0-10V | Crestron Züm Wireless & SpaceBuilder | Enabled | Enabled | No | Wired | Advance by Signify |
| Enlighted Smart Sensor (ENL1) | SU-5E-IOT** | Enlighted RF | Enlighted | Integrated | Integrated | Yes | Wireless | Osram Optotronic , Advance by Signify |
| Legrand Wattstopper DLM (DLM1) | LMFC-011** | DLM | DLM | Enabled | Enabled | No | Wired | Osram Optotronic , Advance by Signify |
| Lutron EcoSystem (LH1 & LU5) | LDE1** LDE5** | EcoSystem | Quantum, Energi Savr Node, Energi TriPak | Enabled | Enabled | No | Wired | Lutron Hi-Lume Lutron 5-Series |
| Osram CLM for ENCELIUM systems (CLM1) | ZBHA-CLM** | ZigBee HA | Osram ENCELIUM & ENCELIUM EDGE | Enabled | Enabled | No | Wireless | Osram Optotronic |
| Osram CLM for ZigBee Wireless Networks (CLMZ1) | ZBHA-CLM** | ZigBee HA | Daintree Networks & open ZigBee Networks | Enabled | Enabled | No | Wireless | Osram Optotronic |

*Not all compatible networks may be listed. **For performance data and additional control system details please visit the connected solutions manufacturer websites. Primary drivers are listed in **bold**. To specify a particular driver please consult factory. †Controls systems supplied by others.