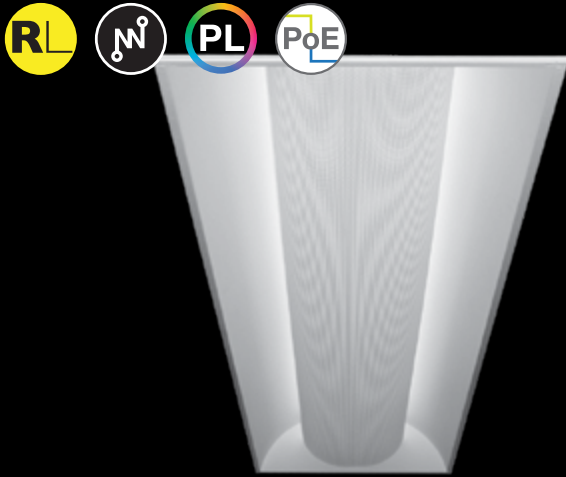
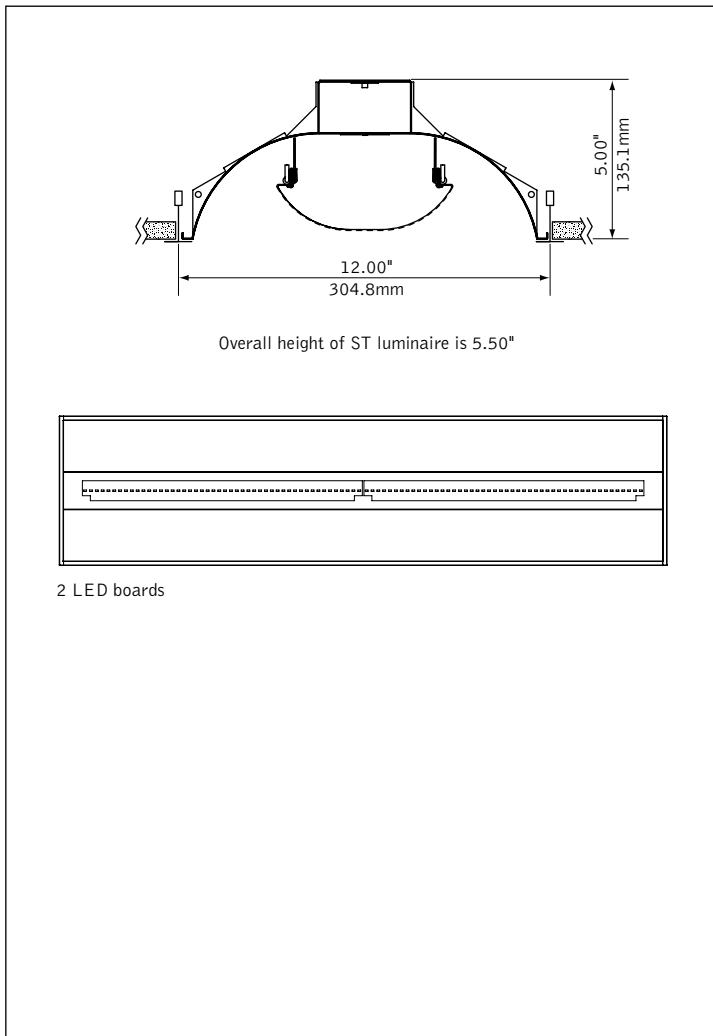


# Luna<sup>®</sup> 1x4

LED



## DIMENSIONAL DATA



## FEATURES

- Architectural recessed LED luminaire with perforated center basket.
- Classic style updated with the latest technology.
- Reflector and end caps form seamless one-piece housing.
- High reflectance, low gloss Matte White finish controls glare.
- Comparable output to fluorescent versions with reduced wattage.
- Luna<sup>®</sup> LED provides high angle uniform distribution ideal for comfortable general illumination.
- Connected Solutions: Integrates with wired and wireless building lighting control systems.
- Preferred Light: Lighting for better color rendition and human preference.
- PoE compatible: Integrates with Power over Ethernet lighting systems via standard, low-voltage wires.

## PERFORMANCE

PRODUCT OVERVIEW	
Lumen Output:	2500-3500lm
Wattage:	28-40W
LPW:	88-91
SDCM:	3

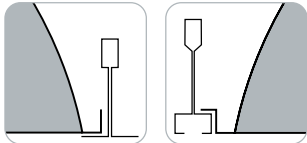
**Delivered Lumens: 2500lm**  
**Total System Watts: 28W**

Photometric performance is measured in accordance with IESNA LM-79. Visit focalpointlights.com for complete photometric data.

**MOUNTING INFORMATION**

**grid**

specify "G" for flat 9/16" and 15/16" tee or "ST" for 9/16" slot tee grid types.

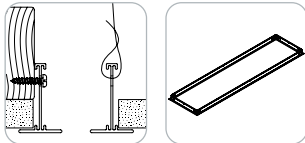


"G" flat tee      "ST" slot tee

Overall height for ST luminaire is 5.50".

**drywall frame kit**

specify "DF" Drywall Frame Kit for drywall ceiling conditions.



Use tie-wire or screws to secure frame kit.

cut out dimensions:  
 1': Min: 12.25" Max: 12.563"  
 4': Min: 48.25" Max: 48.563"

**SPECIFICATIONS**

**LED System**

Proprietary linear LED module incorporates premium LEDs on a robust platform to achieve excellent thermal management. LEDs are placed to promote a uniform appearance. Available in 2700K, 3000K, 3500K or 4000K with CRI>80 or CRI>90. 3500K and 4000K with CRI>90 have a cyanosis observation index (COI) of 3.3 or less. 0-10V dimming driver standard. LED modules and drivers are replaceable.

**Construction**

One-piece 20 Ga. steel reflector and housing. 20 Ga. steel ends form finished housing. LEDs are shielded by detachable 22 Ga. steel perforated shield with acrylic lens insert. LED shield is secured by four spring-pins allowing shield to hinge down for maintenance. Top access 20 Ga. steel driver compartment. Weight: 16 lbs.

**Optic**

One-piece 20 Ga. steel reflectors finished in Matte Satin White powder coat.

**Electrical**

Standard 120-277V driver includes 0-10V analog dimming, dimming range 100% - 10% Power factor > .9. PoE compatible: Integrates with Power over Ethernet lighting systems via standard, low-voltage wires.

**Emergency**

Emergency battery output—10 watts for 90 minutes. High Output emergency battery—20 watts for 90 minutes (UNV only.) Emergency Circuit with Connected Solutions (NLT1, ENL1, CLM1, CLMZ1, DLM1) requires a UL924 compliant device, consult factory.

**Labels**

UL and cUL Listed. Suitable for Dry or Damp Locations, indoor use only.

**Finish**

Polyester powder coat applied over a multi-stage pre-treatment. Optional Anti-Microbial paint finish available.

**Lumen Maintenance**

Reported: L90 > 61,000 hours      Calculated: L90 at > 114,000 hours  
 (Derived from EPA TM-21 calculator. Based on typical conditions, consult factory for additional data.)

**Reliability**

At Focal Point, our products are designed to stand the test of time. Each luminaire is engineered using superior components, manufactured with the utmost care and rigorously tested. Contact us for reliability data.

**Lifetime and warranty**

LED System rated for operation in ambient environments up to 25°C. 5-year limited warranty.

**PERFORMANCE CHART**

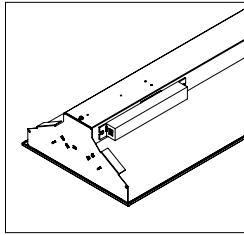
Delivered Lumens	Tested System Watts	LPW
2500 Lumens	28	91
3000 Lumens	34	90
3500 Lumens	40	88

Based on 3500K, 80 CRI. Lumen multipliers: Preferred Light = 0.65, 90+ CRI = 0.87. Lumen output may vary +/- 5%. Actual wattage may vary +/- 5%.

**ORDERING**

Luminaire Series	FLUL
Luna LED	FLUL
<b>Nominal Size</b>	<b>14</b>
1' x 4'	14
<b>Shielding</b>	<b>PS</b>
Perforated Shield	PS
<b>Lumen Output</b>	
2500 Lumens	2500L
3000 Lumens	3000L
3500 Lumens	3500L
<b>Color Temperature</b>	
2700K, 80+ CRI or 90+ CRI	27K or 927K
3000K, 80+ CRI or 90+ CRI	30K or 930K
3500K, 80+ CRI or 90+ CRI	35K or 935K
4000K, 80+ CRI or 90+ CRI	40K or 940K
3500K, Preferred Light	P35K
<b>Circuit</b>	<b>1C</b>
Single Circuit	1C
<b>Voltage</b>	
UNV 120/277 Volt	UNV
Low Voltage	LV
<b>Control System &amp; Dimming Level</b>	
0-10V - 1% Dimming	L11
0-10V - 10% Dimming	LD1
Low Voltage, PoE compatible	LVN
<small>(No driver. Not available with EM or EC. LV Voltage only.)</small>	
Lutron Hi-Lume EcoSystem (LDE1) - 1% Dimming	LH1
Lutron 5-Series EcoSystem (LDE5) - 5% Dimming	LU5
Acuity nLight - 1% Dimming	NLT1
<small>(Not available with CP)</small>	
Enlighted Smart Sensor - 1% Dimming	ENL1
Osram Connected Lighting Module for ENCELIIUM systems - 1% Dimming	CLM1
<small>(Compatible with Osram ENCELIIUM and ENCELIIUM EDGE systems only)</small>	
Osram Connected Lighting Module for ZigBee Wireless Networks - 1% Dimming	CLMZ1
<small>(Not compatible with Osram ENCELIIUM systems)</small>	
Wattstopper DLM - 1% Dimming	DLM1
<b>Mounting</b>	
Drywall Frame Kit	F
<small>(LD1, L11, LH1 &amp; LU5 only)</small>	
<small>(Cut out dimensions: Min: 12.25"/Max: 12.563" Min: 48.25"/Max: 48.563")</small>	
Grid	G
Slot Tee	ST
<b>Factory Options</b>	
Air Return	AR
<small>(Adds 0.875" to overall height)</small>	
Chicago Plenum	CP
Emergency Battery	EM
<small>(Adds 3.25" to overall height)</small>	
High Output Emergency Battery	B20
<small>(Adds 3.25" to overall height. UNV only.)</small>	
Positional Clip	EQ
6' New York City Flex Whip (120V)	FNY1
6' New York City Flex Whip (277V)	FNY2
6' Flex Whip	FW
<b>Finish</b>	
Matte Satin White	WH
Matte Satin White Anti-Microbial	WHA

Focal Point provides flexibility in meeting the needs of each project by integrating with several building lighting control systems. A variety of sensors, drivers and other components can be specified that allow the luminaires to communicate with wired and wireless networks. All zoning can be digitally reconfigured through the application software. Daylight harvesting, occupancy sensing, integration with HVAC systems, and individual controls enable the monitoring and modulating of light levels and temperature in order to save energy, reduce costs and maximize occupants' comfort. All Connected Solutions luminaires require a compatible building control system.†



nLight® provides a two-way wired digital lighting system allowing for on/off and dimming functionality, occupancy sensing, and multi-zone daylight harvesting.

Acuity nLight - 1% Dimming (NLT1)  
Acuity Model #nEPS-60-IO

CAT-5 Cable provided by others. Serial labels will be provided on outside of luminaires and control unit.



Enlighted smart sensor allows for occupancy sensing, daylight harvesting, energy usage, temperature and light level control. Communicates wirelessly with the Enlighted network.

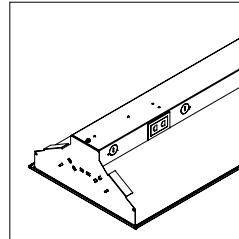
Enlighted Smart Sensor - 1% Dimming (ENL1)  
Enlighted Model #SU-5E-IOT



Connected Lighting Module (CLM) enables each luminaire to be independently controlled and configured. Communicates wirelessly with Daintree Networks®, Osram ENCELIUM®, Osram ENCELIUM EDGE™, and other networks using the ZigBee® HA communication protocol to allow for on/off and dimming functionality, occupancy sensing and multi-zone daylight harvesting.

Osram CLM - 1% Dimming (CLM1 & CLMZ1)  
Osram Model #ZBHA-CLM DIM

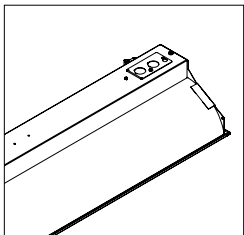
Serial labels will be provided on outside of luminaires and control unit.



A Digital Lighting Management (DLM) system that provides two-way wired communication between networked luminaires and control system to allow for on/off and dimming functionality, occupancy sensing and multi-zone daylight harvesting.

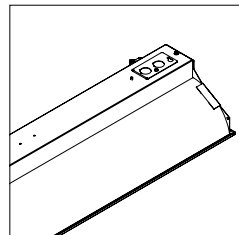
Wattstopper DLM - 1% Dimming (DLM1)  
Wattstopper Model #LMFC-011

CAT-5 Cable provided by others. Serial labels will be provided on outside of luminaires and control unit.



A two-way digital network that enables on/off and dimming functionality, occupancy sensing, and multi-zone daylight harvesting working with Quantum®, Energi Savr Node™, and Energi TriPak® using EcoSystem® communication protocol.

Lutron Hi-Lume EcoSystem - 1% Dimming (LH1)  
Lutron Model #LDE1  
Lutron 5-Series EcoSystem - 5% Dimming (LU5)  
Lutron Model #LDE5



A two-way digital network that enables on/off and dimming functionality, occupancy sensing, and multi-zone daylight harvesting. Communicates with Züm wireless and SpaceBuilder working with Züm hub scheduling or FUSION management.

0-10V - 1% Dimming (L11)  
*Note: 0-10V is not a digital network but is compatible with Creston Züm™ system.*

## CONNECTED SOLUTIONS DETAILS

Connected Solution	Model #	Protocol	Compatible Networks*	Occupancy	Daylight	Temperature Reporting	Communication to Luminaire	Drivers
Acuity nLight (NLT1)	nEPS-60-IO**	nLight	nLight	Enabled	Enabled	No	Wired	<b>eldoLED ECOdrive</b> , eldoLED SOLOdrive
Crestron (L11)	Specified Driver	0-10V	Crestron Züm Wireless & SpaceBuilder	Enabled	Enabled	No	Wired	<b>Advance by Signify</b>
Enlighted Smart Sensor (ENL1)	SU-5E-IOT**	Enlighted RF	Enlighted	Integrated	Integrated	Yes	Wireless	<b>Osram Optotronic</b> , Advance by Signify
Legrand Wattstopper DLM (DLM1)	LMFC-011**	DLM	DLM	Enabled	Enabled	No	Wired	<b>Osram Optotronic</b> , Advance by Signify
Lutron EcoSystem (LH1 & LU5)	LDE1,** LDE5**	EcoSystem	Quantum, Energi Savr Node, Energi TriPak	Enabled	Enabled	No	Wired	<b>Lutron Hi-Lume</b> <b>Lutron 5-Series</b>
Osram CLM for ENCELIUM systems (CLM1)	ZBHA-CLM**	ZigBee HA	Osram ENCELIUM & ENCELIUM EDGE	Enabled	Enabled	No	Wireless	<b>Osram Optotronic</b>
Osram CLM for ZigBee Wireless Networks (CLMZ1)	ZBHA-CLM**	ZigBee HA	Daintree Networks & open ZigBee Networks	Enabled	Enabled	No	Wireless	<b>Osram Optotronic</b>

\*Not all compatible networks may be listed. \*\*For performance data and additional control system details please visit the connected solutions manufacturer websites. Primary drivers are listed in bold. To specify a particular driver please consult factory. †Controls systems supplied by others.