

# ID+ 2.5"

LED WALL WASH



clear diffuse reflector



matte black reflector



warm diffuse reflector



white trim



titanium silver trim

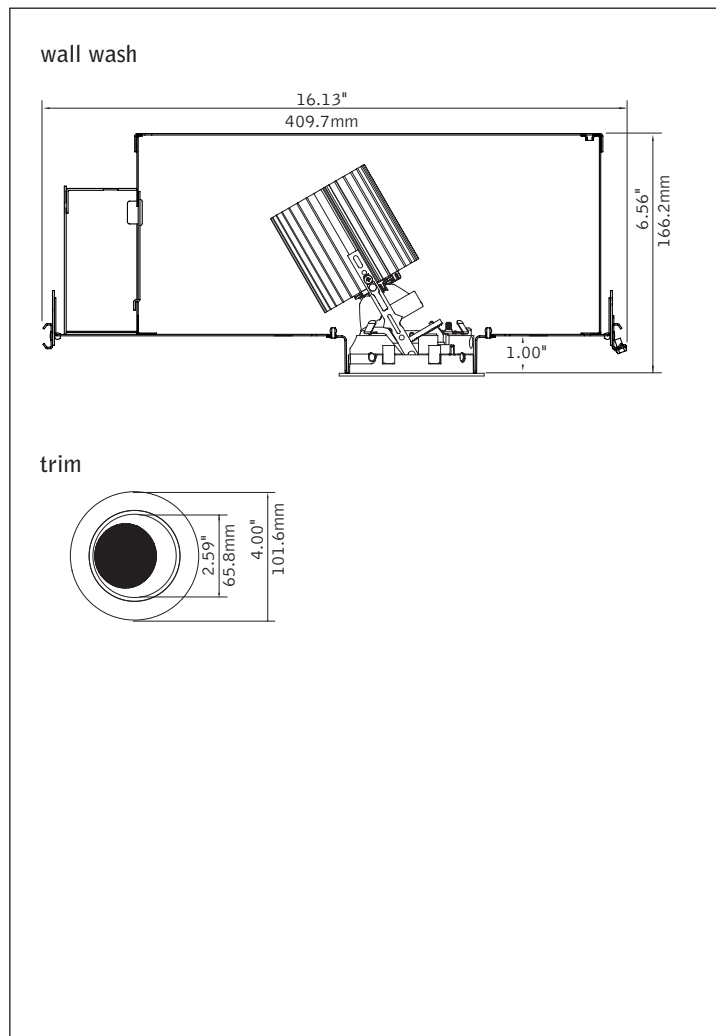


bronze trim



black trim

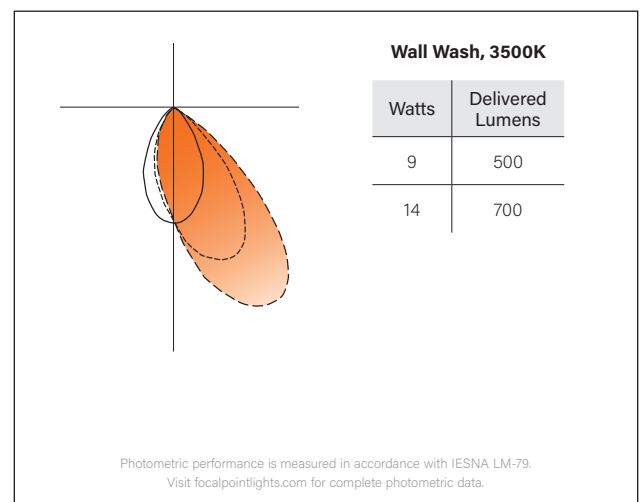
## DIMENSIONAL DATA



## FEATURES

- Small aperture LED 30° fixed wall wash.
- Selection of dimming drivers available.
- Selection of trim styles and finishes to complement any design.
- Adjustable accent & downlight also available.

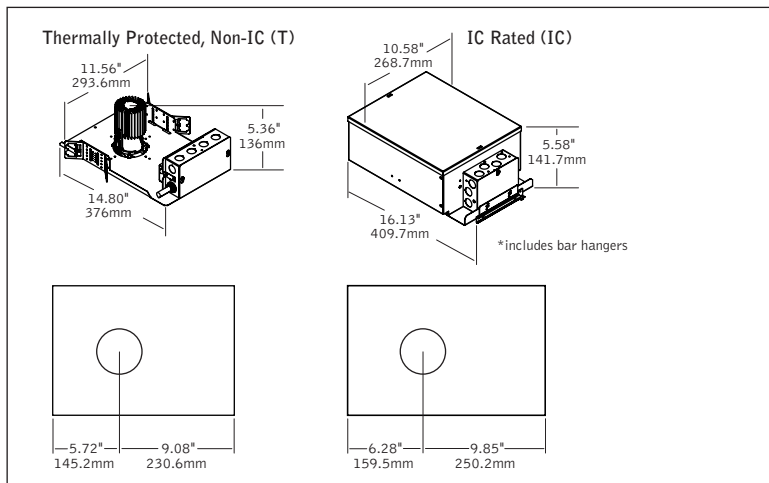
## PERFORMANCE



fixture:

project:

**HOUSING DETAILS**



**HOUSING SPECIFICATIONS**

**Construction**

Die-formed housing and integral junction box with (7) 1/2" pry outs. Accommodates ceiling thicknesses up to 1". For thicker ceiling consult factory. Die-cast aluminum heat sink designed for maximum thermal dissipation. Fixture will not exceed 5 lb.

(T) Thermally protected housing for new construction. Insulation to be kept 3" away from housing. Butterfly brackets allow mounting to 1/2" emt. Order bar hangers as an accessory.

(IC) Insulated ceiling housing for new construction drywall/hard ceiling applications with direct insulation contact. Bar hangers included. Overlap and flush wall wash housing complies with ASTM E-283, air-tight energy codes.

**Electrical**

Choice of constant current dimming drivers. Power factor >.9 typical, 50/60 Hz., 350-2080mA.

**Emergency battery**

Bodine BSL17C-C2. Emergency output—7 watts for 90 minutes.

**Labels**

UL and cUL listed. Suitable for Dry or Damp Locations, indoor use only.

**Lumen Maintenance**

Reported: L70 at >36,000 hours  
Derived from EPA TM-21 calculator.

**Reliability**

At Focal Point, our products are designed to stand the test of time. Each luminaire is engineered using superior components, manufactured with the utmost care and rigorously tested. Contact us for reliability data.

**Warranty**

LED System rated for operation in ambient environments up to 25°C. 5-year limited warranty.

**TRIM SPECIFICATIONS**

**LED System**

Proprietary LED module with one Cree MT-G2 LED. LED features EasyWhite technology for maximum efficacy, color consistency and optical control. Color accuracy within 2 SDCM.

**Aesthetics**

Parabolic reflector cone ensures glare free optics. Field-paintable flange. Trim clips pull trim tight to the ceiling.

**Optics**

Beamspread achieved with optical filters.

**PERFORMANCE CHART**

Lumen Output	Distribution	System Watts
500	FL	9
700	FL	14

\*Tested with 3500K Clear Diffuse Reflector. \*\*Lumen output may vary +/- 5%. 0.963 Matte Black Reflector (BK) lumen multiplier.

**HOUSING ORDERING**

<b>Housing Series</b>	FLS2W	<b>FLS2W</b>
ID+ 2.5" Round Housing		
<b>Trim Type</b>		
Round Flush	RF	
Round Overlap	RO	
<b>Lumen Output</b>		
500 Lumens	500L	
700 Lumens	700L	
<b>Distribution</b>		<b>FL</b>
Flood	FL	
<b>Voltage</b>		
120V	120	
277V	277	
<b>Driver</b>		
0-10V - 1% Dimming	L11	
0-10V - 10% Dimming	LD1	
Lutron H-Series - 1% Dimming	LH1	
DALI - 1% Dimming	D11	
Lutron A-Series - Forward Phase	LTE	
(120 only)		
<b>Housing Type</b>		
Thermally Protected, Non-IC	T	
IC Rated	IC	
(500L only)		
<b>Factory Options</b>		
Bar Hangers	BH	
(T housing only)		
Chicago Plenum / National Plenum	CP	
(IC housing only)		
Emergency Battery Pack	EMR	
(Remote test switch, above ceiling access, T housing & RO trim only)		
<b>TRIM &amp; LED MODULE</b>		
<b>Aperture</b>		<b>LS2</b>
2.5" Round Aperture	LS2	
<b>Trim Type</b>		<b>RD</b>
Round	RD	
<b>Color Temperature</b>		
2700K, 90+ CRI	927K	
3000K, 90+ CRI	930K	
3000K, 80+ CRI	30K	
3500K, 80+ CRI	35K	
<b>Optic</b>		<b>WW</b>
Wall Wash	WW	
<b>Distribution</b>		<b>FL</b>
Flood	FL	
<b>Reflector Color</b>		
Clear Diffuse	CD	
Matte Black	BK	
Warm Diffuse	WD	
<b>Flange Finish</b>		
White	WH	
Black	BK	
Titanium Silver	TS	
Bronze	BR	