

ID+ 2.5"

LED DECORATIVE LENS



clear frosted



green frosted



white trim



titanium silver trim

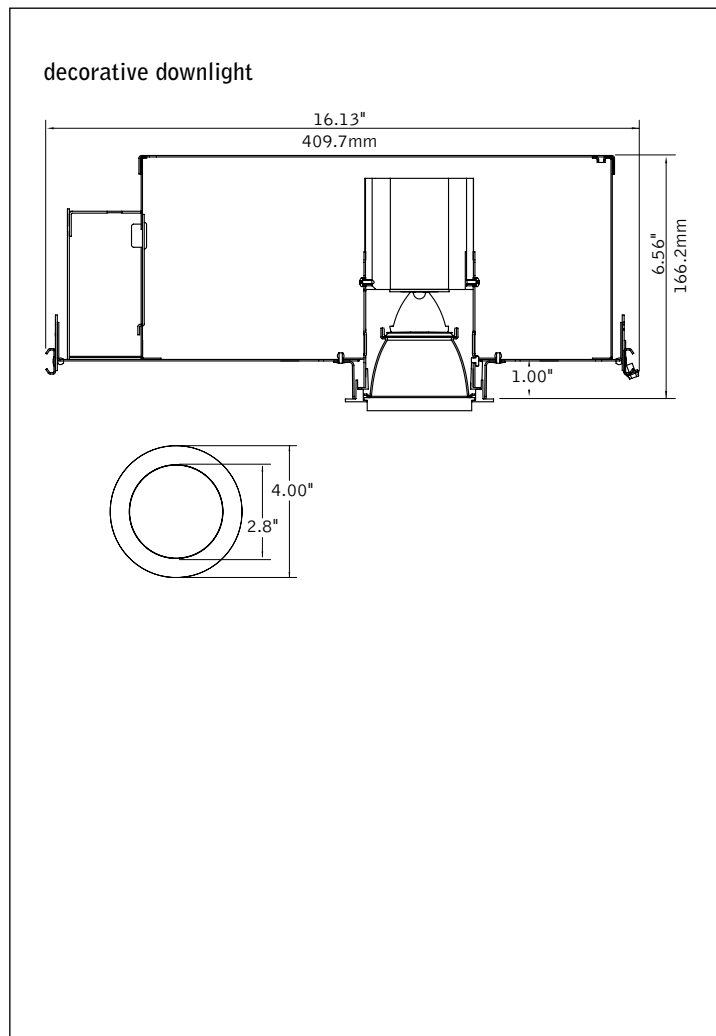


bronze trim



black trim

DIMENSIONAL DATA



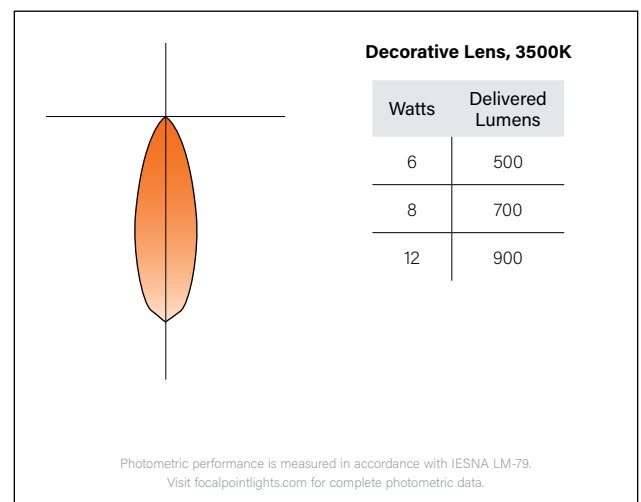
FEATURES

Small aperture LED downlight with dropped decorative lens.

Selection of dimming drivers available.

Glowing frosted lens available in two colors.

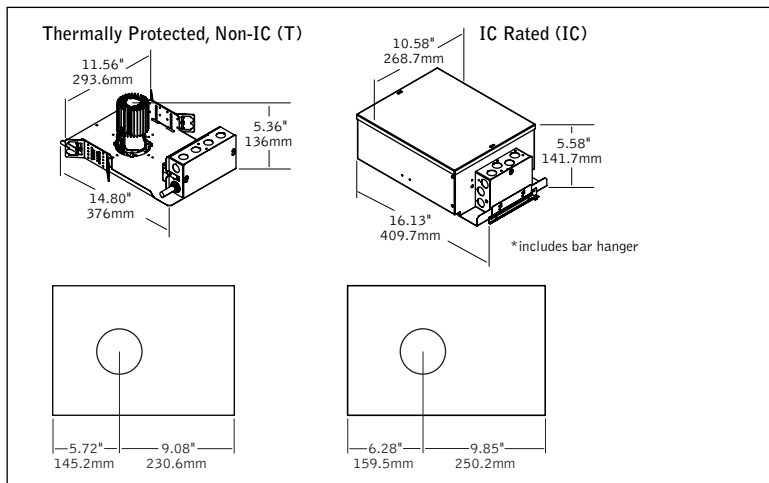
PERFORMANCE



fixture:

project:

HOUSING DETAILS



HOUSING SPECIFICATIONS

Construction

Die-formed housing and integral junction box with (7) 1/2" pry outs. Accommodates ceiling thicknesses up to 1". For thicker ceiling consult factory. Die-cast aluminum heat sink designed for maximum thermal dissipation. Fixture will not exceed 5 lb.

(T) Thermally protected housing for new construction. Insulation to be kept 3" away from housing. Butterfly brackets allow mounting to 1/2" emt. Order bar hangers as an accessory.

(IC) Insulated ceiling housing for new construction drywall/hard ceiling applications with direct insulation contact. Bar hangers included. Housing complies with ASTM E-283, air-tight energy codes.

Electrical

Choice of constant current dimming drivers. Power factor >.9 typical, 50/60 Hz, 350-2080mA.

Emergency battery

Bodine BSL17C-C2. Emergency output—7 watts for 90 minutes.

Labels

UL and cUL Listed. Wet Label standard.

Lumen Maintenance

Reported: L70 at >36,000 hours. Derived from EPA TM-21 calculator.

Reliability

At Focal Point, our products are designed to stand the test of time. Each luminaire is engineered using superior components, manufactured with the utmost care and rigorously tested. Contact us for reliability data.

Warranty

LED System rated for operation in ambient environments up to 25°C. 5-year limited warranty.

TRIM SPECIFICATIONS

LED System

Proprietary LED module with one Cree MT-G2 LED. LED features EasyWhite technology for maximum efficacy, color consistency and optical control. Color accuracy within 2 SDCM.

Aesthetics

Field-paintable flange. Trim clips pull trim tight to the ceiling.

PERFORMANCE CHART

Delivered Lumens	Distribution	System Watts
500	NFL	6
700	NFL	8
900	NFL	12

*Tested with 3000K Clear Diffuse Reflector. **Lumen output may vary +/- 5%. 0.777 90 CRI lumen multiplier. Values in grey are estimated based on a relative comparison to the tested data.

HOUSING ORDERING

Housing Series	FLS2DD	FLS2DD
ID+ 2.5" Round Housing		
Trim Type		
Round Flush	RF	
Round Overlap	RO	
Lumen Output		
500 Lumens <small>(LD1, L11 and D11 drivers only)</small>	500L	
700 Lumens	700L	
900 Lumens	900L	
Distribution		NFL
20° Narrow Flood	NFL	
Voltage		
120V	120	
277V	277	
Driver		
0-10V - 1% Dimming	L11	
0-10V - 10% Dimming	LD1	
Lutron Hi-Lume EcoSystem (LDE1) - 1% Dimming	LH1	
DALI - 1% Dimming	D11	
Lutron A-Series - Forward Phase <small>(120 only)</small>	LTE	
Housing Type		
Thermally Protected, Non-IC	T	
IC Rated	IC	
Factory Options		
Bar Hangers <small>(T housing only)</small>	BH	
Chicago Plenum / National Plenum <small>(IC housing only)</small>	CP	
Emergency Battery Pack <small>(Remote test switch, above ceiling access, T housing & RO trim only)</small>	EMR	
TRIM & LED MODULE		
Aperture		LS2
2.5" Round Aperture	LS2	
Trim Type		RD
Round	RD	
Color Temperature		
2700K, 90+ CRI	927K	
3000K, 80+ CRI or 90+ CRI	30K or 930K	
3500K, 80+ CRI	35K	
Optic		
Decorative downlight with Clear frosted lens	DNC	
Decorative downlight with Green frosted lens	DNG	
Distribution		NFL
20° Narrow Flood	NFL	
Reflector Color		CD
Clear Diffuse	CD	
Flange Finish		
White	WH	
Black	BK	
Titanium Silver	TS	
Bronze	BR	