

ID+ 2.5" x 2.5"

LED ADJUSTABLE ACCENT



FOCAL POINT®



clear diffuse reflector



matte black reflector



warm diffuse reflector



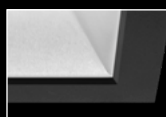
white trim



titanium silver trim

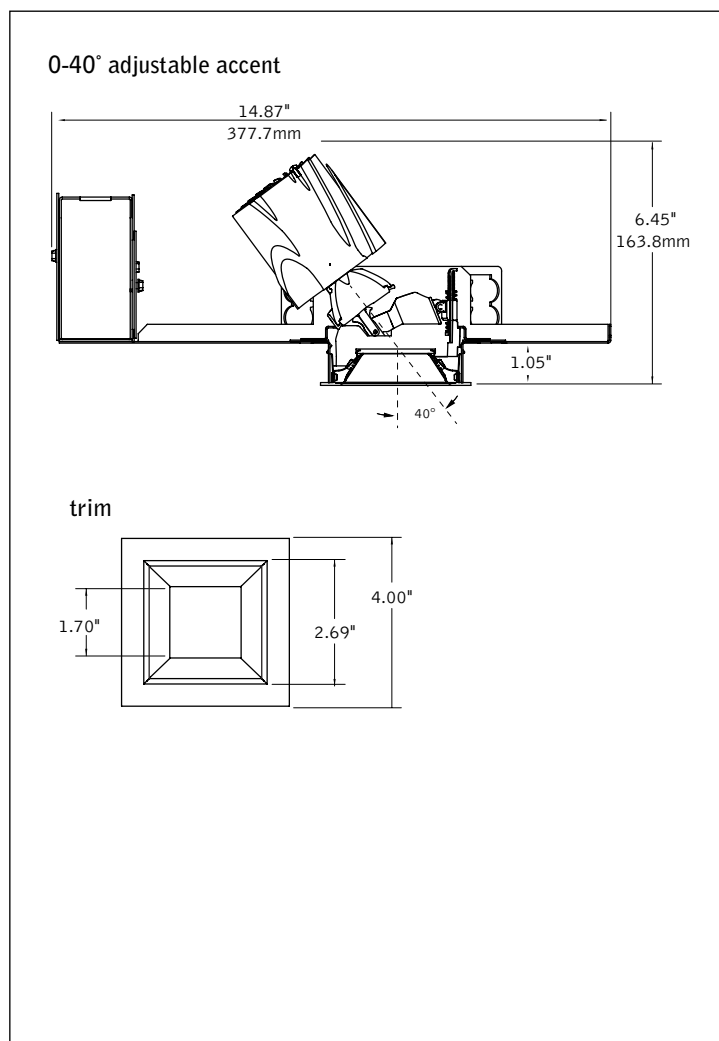


bronze trim



black trim

DIMENSIONAL DATA



FEATURES

Small aperture LED adjustable accent.

15° beam is ideal for art and object accenting, additional Beamspreads up to 60° complement any application.

Adjustable accent allows for hot aiming with locking 40° vertical tilt and 362° rotation.

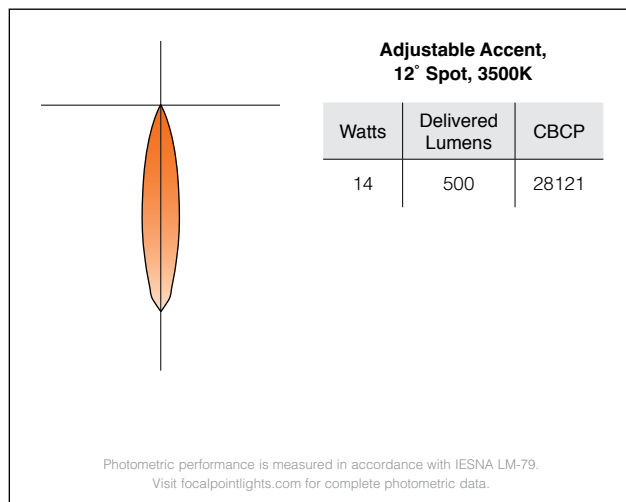
Center Beam Optic allows maximum light output at all tilt angles.

Selection of dimming drivers available.

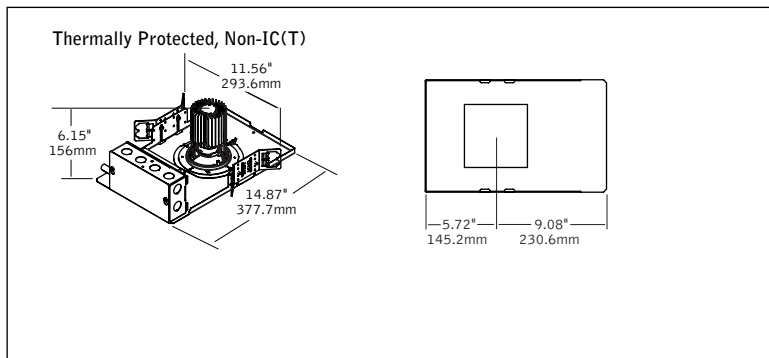
Selection of trim styles and finishes to complement any design.

Fixed downlight & wall wash also available.

PERFORMANCE



HOUSING DETAILS



HOUSING SPECIFICATIONS

Construction

Die-formed housing and integral junction box with (7) 1/2" pry outs. Accommodates ceiling thicknesses up to 1". For thicker ceiling consult factory. Die-cast aluminum heat sink designed for maximum thermal dissipation. Fixture will not exceed 5 lb. Thermally protected housing for new construction. Insulation to be kept 3" away from housing. Butterfly brackets allow mounting to 1/2" emt. Order bar hangers as an accessory.

Electrical

Choice of constant current dimming drivers. Power factor >.9 typical, 50/60 Hz., 350-2080mA.

Emergency battery

Bodine BSL17C-C2. Emergency output—7 watts for 90 minutes.

Labels

UL and cUL listed. Suitable for Dry or Damp Locations, indoor use only.

Lumen Maintenance

Reported: L70 at >36,000 hours
Derived from EPA TM-21 calculator.

Reliability

At Focal Point, our products are designed to stand the test of time. Each luminaire is engineered using superior components, manufactured with the utmost care and rigorously tested. Contact us for reliability data.

Warranty

LED System rated for operation in ambient environments up to 25°C. 5-year limited warranty.

TRIM SPECIFICATIONS

LED System

Proprietary LED module with color accuracy within 2 SDCM.

Adjustment

Manual locking 40° vertical tilt and 362° rotation.

Aesthetics

Parabolic reflector cone ensures glare free optics. Field-paintable flange. Trim clips pull trim tight to the ceiling.

Optics

Beamspreads achieved with optical filters that may be easily changed in field.

PERFORMANCE CHART

Delivered Lumens	System Watts	Distribution	Beamspread	Center Beam Candlepower (CBCP)
500	14	SP	15°	28121
	14	NFL	20°	4543
	14	FL	40°	882
	14	WFL	60°	550

*Tested with 3500K Clear Diffuse Reflector. **Lumen output may vary +/- 5%. 0.963 Matte Black Reflector (BK) lumen multiplier. LUM5 Performance:WFL = 400L and NFL = 750L.

HOUSING ORDERING

Housing Series	FLS22A
ID+ 2.5" Square Housing	FLS22
Trim Type	
Square Flush	SF
Square Overlap	SO
Lumen Output	
500 Lumens	500L
Voltage	
120V	120
277V	277
Driver	
0-10V - 1% Dimming	L11
0-10V - 10% Dimming	LD1
Lutron H-Series - 1% Dimming	LH1
Lutron 5-Series - 5% EcoSystem Digital	LU5
DALI - 1% Dimming	D11
Lutron A-Series - Forward Phase (120 only)	LTE
Housing Type	T
Thermally Protected, Non-IC	T
Factory Options	
Bar Hangers	BH
Emergency Battery Pack (Remote test switch, above ceiling access, SO trim only)	EM

TRIM & LED MODULE

Aperture	LS22
2.5" Square Aperture	LS22
Trim Type	SQ
Square	SQ
Color Temperature	
2700K, 90+ CRI	927K
3000K, 90+ CRI	930K
3000K, 80+ CRI	30K
3500K, 80+ CRI	35K
Optic	AA
Adjustable Accent	AA
Distribution	
15° Spot	SP
20° Narrow Flood	NFL
40° Flood	FL
60° Wide Flood	WFL
Reflector Color	
Clear Diffuse	CD
Matte Black	BK
Warm Diffuse	WD
Flange Finish	
White	WH
Black	BK
Titanium Silver	TS
Bronze	BR

ACCESSORIES

(One kit included per order as indicated in Distribution above. Order additional kits to change distribution in the field as needed.)

15° Spot Kit	LS22-SPK
20° Narrow Flood Kit	LS22-NFLK
40° Flood Kit	LS22-FLK
60° Wide Flood Kit	LS22-WFLK