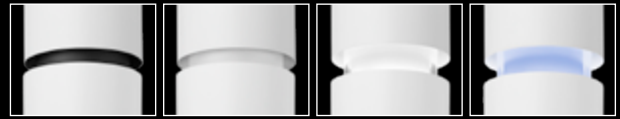


# ID+ 4.5" Cylinder

LED PENDANT WITH DECORATIVE REVEAL



FOCAL POINT®

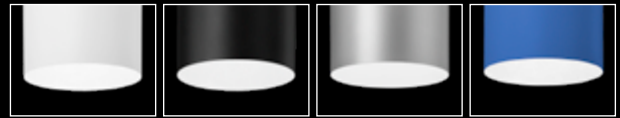


Black Non-Glow

White Non-Glow

White Glow

Custom RAL Glow



White

Black

Palladium Silver

Custom RAL



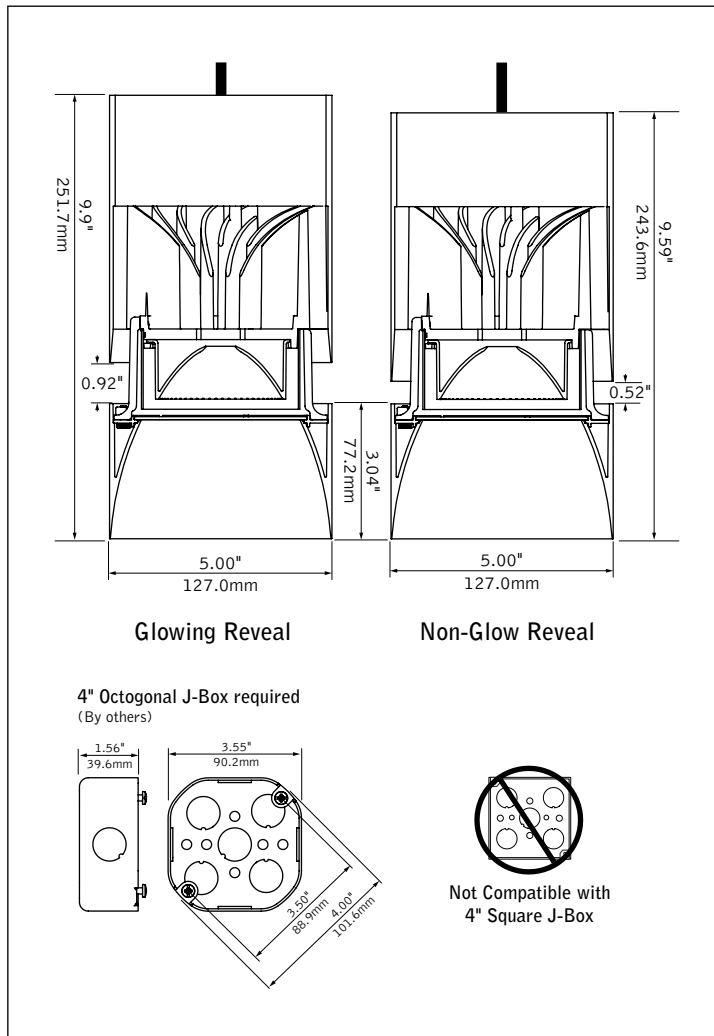
Shallow Canopy 50° Swivel Stem

Decorative Shallow Canopy

Power Canopy

Surface Mount Companion

## DIMENSIONAL DATA (continued on page 3 & 4)



## FEATURES

4.5" cylinder pendant with decorative reveal; glow or non-glow options.

Custom color options for finish and glowing reveal.

One-piece die-cast reflector with a knife edge for a modern aesthetic.

50° cut-off for brightness control and visual comfort.

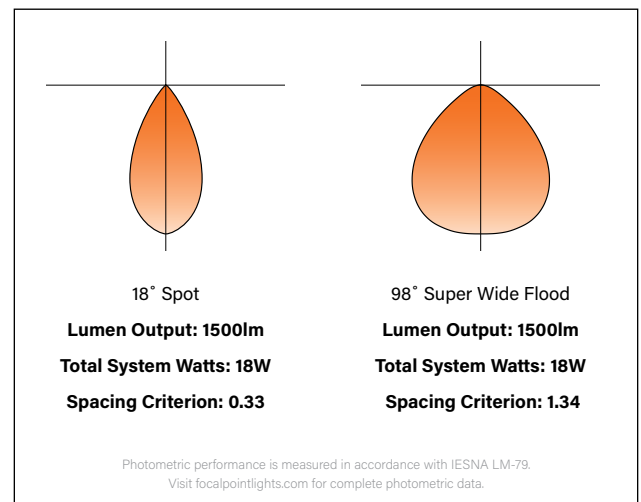
Multiple canopy options enable various driver offerings and conduit installations while maintaining premier aesthetics.

Power cord, fixed and swivel stem suspension mounting options.

Warm Dim: Lighting that enhances spaces with a warm glow, reminiscent of incandescent or halogen light sources.

PoE compatible: Integrates with Power over Ethernet lighting systems via standard, low-voltage wires.

## PERFORMANCE



fixture:

project:

### SPECIFICATIONS

#### LED System

Proprietary LED module with single light emitting source. May be specified in 2700K, 3000K, 3500K or 4000K in CRI>80 or CRI>90. 3500K and 4000K with CRI>90 have a cyanosis observation index (COI) of 3.3 or less. Color accuracy within 2 SDCM. Aluminum heat sink provides appropriate thermal management.

#### Construction

Upper housing is extruded aluminum. Lower reflector is die-cast aluminum. Twist & lock construction leaves no visible fasteners within the knife edge trim. Fixture will not exceed 5 lb.

#### Optics

Beam spreads achieved with optics that may be easily changed in field.

| Lumen Output | Cut-Off Degree | Distribution Beam Spread   Spacing Criteria |            |            |            |            |            | SWFL |
|--------------|----------------|---|------------|------------|------------|------------|------------|------|
|              |                | SP  | NFL        | FL         | WFL        | VWFL       |            |      |
| 1000 - 1500  | 50°            | 18°   0.33                                  | 27°   0.48 | 35°   0.59 | 54°   0.83 | 69°   1.02 | —          |      |
|              | 80°            | —   | —          | —          | —          | —          | 98°   1.34 |      |
| 2000 - 3000  | 50°            | —   | 26°   0.44 | 41°   0.67 | 56°   0.83 | 69°   1.08 | —          |      |
|              | 80°            | —   | —          | —          | —          | —          | 98°   1.34 |      |

#### Electrical

Choice of constant current dimming drivers. Power factor > .9 typical. PoE compatible: Integrates with Power over Ethernet lighting systems via standard, low-voltage wires. L11 & LFP with Shallow Canopy, Integral Driver not Right Light as standard, consult factory.

#### Emergency

Emergency output — 7W for 90 minutes. Maximum mounting height: 16ft. J-box cannot be recessed above the ceiling with Emergency Battery.

#### Labels

UL and cUL listed. Suitable for Dry or Damp Locations, indoor use only.

#### Finish

Polyester powder coat applied over a multi-stage pre-treatment. Swivel stem option is designed with a matching cylinder, swivel stem, and canopy finish.

#### Lumen Maintenance

Reported: L70 > 60,000 hours      Calculated: L70 at > 204,000 hours  
L80 > 60,000 hours                      L80 at > 126,000 hours  
(Derived from EPA TM-21 calculator. Based on typical conditions, consult factory for additional data.)

#### Reliability

At Focal Point, our products are designed to stand the test of time. Each luminaire is engineered using superior components, manufactured with the utmost care and rigorously tested. Contact us for reliability data.

#### Warranty

LED system rated for operation in ambient environments up to 25°C. 5 year limited warranty.

### PERFORMANCE TABLE

| Lumen Output | Delivered Lumens | System Watts | LPW |
|--------------|------------------|--------------|-----|
| 1000L        | 1033             | 11           | 91  |
| 1500L        | 1509             | 18           | 86  |
| 1500L        | 1606             | 23           | 69  |
| 2000L        | 2074             | 24           | 88  |
| 2500L        | 2609             | 31           | 84  |
| 2500L        | 2211             | 35           | 63  |
| 3000L        | 2906             | 34           | 84  |

Glowing Reveal, 3500K, 80CRI, Clear Diffuse, Flood distribution. Warm Dim based on 3000 - 1800K, 90 CRI. Lumen output may vary +/- 5%. Actual wattage may vary +/- 5%.

Options in orange qualify for the Quickship program. 10-day up to 50 pieces. Refer to Quickship Guide for complete details.

Focal Point LLC reserves the right to change specifications for product improvement without notification.

### ORDERING

#### Luminaire Series

ID+ 4.5" Round Cylinder **FLCY4**

#### Trim Type

Round **RD**

#### Decorative Reveal

White Non-Glow Reveal **WHR**

Black Non-Glow Reveal **BKR**

White Glowing Reveal **WHG**

Custom Color Glowing Reveal **RAL\_ \_ \_ \_**

(Specify your RAL color value. Extended lead time consult factory.)

#### Lumen Output

1000 Lumens **1000L**

1500 Lumens **1500L**

2000 Lumens **2000L**

2500 Lumens **2500L**

3000 Lumens (PC & DPC only) **3000L**

#### Color Temperature

2700K, 80+ CRI or 90+ CRI **27K or 927K**

3000K, 80+ CRI or 90+ CRI **30K or 930K**

3500K, 80+ CRI or 90+ CRI **35K or 935K**

4000K, 80+ CRI or 90+ CRI **40K or 940K**

Warm Dim: 2700-1800K, 90+ CRI **92718W**

Warm Dim: 3000-1800K, 90+ CRI **93018W**

(Warm Dim: 1500L & 2500L only. EMR not available. 2500L PC & DPC only.)

#### Circuit

Single Circuit **1C**

#### Voltage

120/277 UNV **UNV**

120 Volt **120**

277 Volt **277**

Low Voltage **LV**

#### Canopy Configuration

Shallow Canopy, Integral Driver\* **SC**

Shallow Canopy with decorative J-box cover, Integral Driver\* **DSC**

\* (L11, LVN & LFP only. Warm Dim: 1500L only.)

#### Power Canopy

Power Canopy with decorative J-box cover **DPC**

#### Control System & Dimming Level

0-10V - 0% Dimming **LZ1**

0-10V - 1% Dimming **L11**

Low Voltage, PoE compatible **LVN**

(No driver. Not available with EMR. SC or DSC with LV Voltage only.)

#### Phase Dimming

(SC with 120V only. Consult factory for recommended dimmers.) **LFP**

Lutron Hi-Lume EcoSystem (LDE1) -

1% Dimming **LH1**

Lutron Hi-Lume - Forward Phase -

1% Dimming (120V only, 1000L only.) **LTE**

DALI - 0% Dimming **DZ1**

DALI - 1% Dimming **D11**

#### Mounting

72" Cable, Straight Feed (Cut in field) **C72**

144" Cable, Straight Feed (Cut in field) **C144**

12", 50° Swivel Stem **B12**

18", 50° Swivel Stem **B18**

2'- 8' in 1' increments, 50° Swivel Stem **B\_**

(Specify in inches, example: 8' stem = B96)

12", Fixed Stem **S12**

18", Fixed Stem **S18**

2'- 8' in 1' increments, Fixed Stem **S\_**

(Specify in inches, example: 8' stem = S96)

#### Optic

50° Cut-off Cone **DNT**

(Not available with SWFL distribution)

50° Cut-off Cone with Solite Lens **DNTS**

(NFL distribution only)

80° Cut-off Cone **DSS**

(SWFL distribution only)

#### Distribution

Spot **SP**

(1000L & 1500L only)

Narrow Flood **NFL**

Flood **FL**

Wide Flood **WFL**

Very Wide Flood **VWFL**

Super Wide Flood **SWFL**

#### Factory Options

Emergency Battery **EMR**

(J-box cannot be recessed above the ceiling. Remote test switch.)

#### Reflector Color

Clear Diffuse **CD**

#### Luminaire Finish

(Cylinder, swivel stem and canopy finish match)

Black with Black cord **BK**

White with White cord **WH**

Palladium Silver with Black cord **PS**

Custom Color with White cord

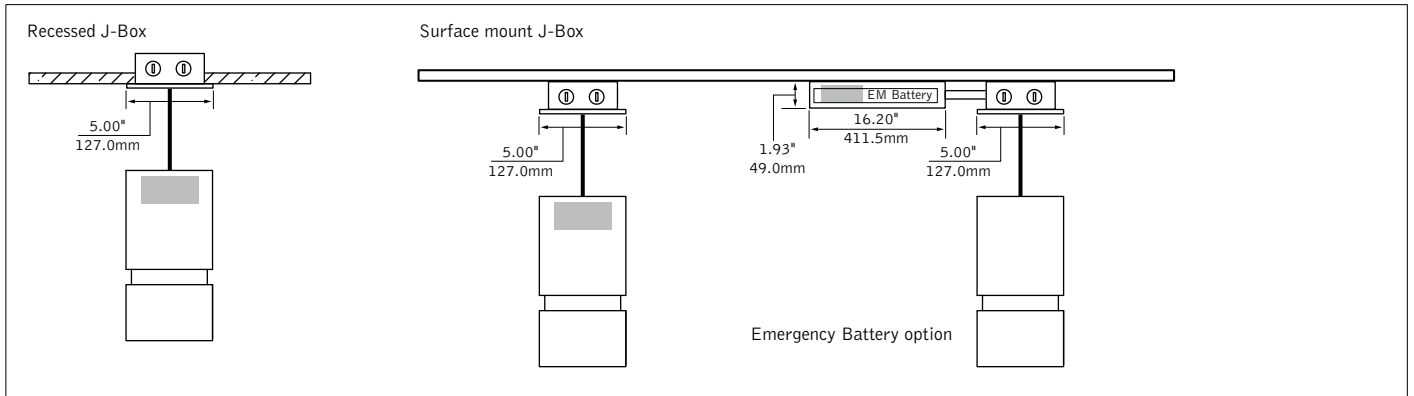
(Specify your RAL color value. Extended lead time consult factory.)

**RAL\_ \_ \_ \_**

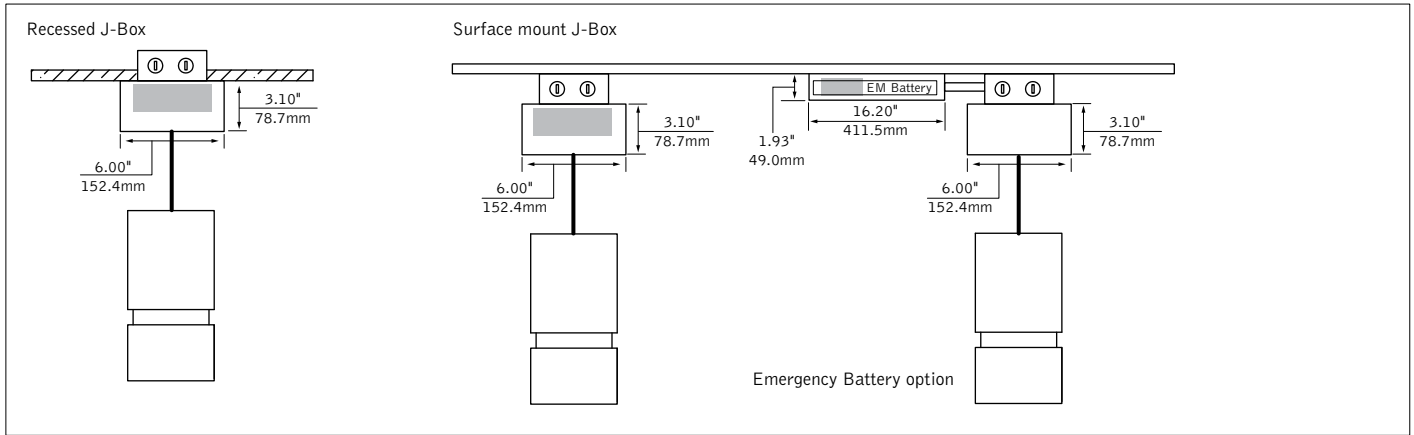
**DIMENSIONAL DATA CONTINUED**

**SC - Shallow Canopy, Integral Driver**

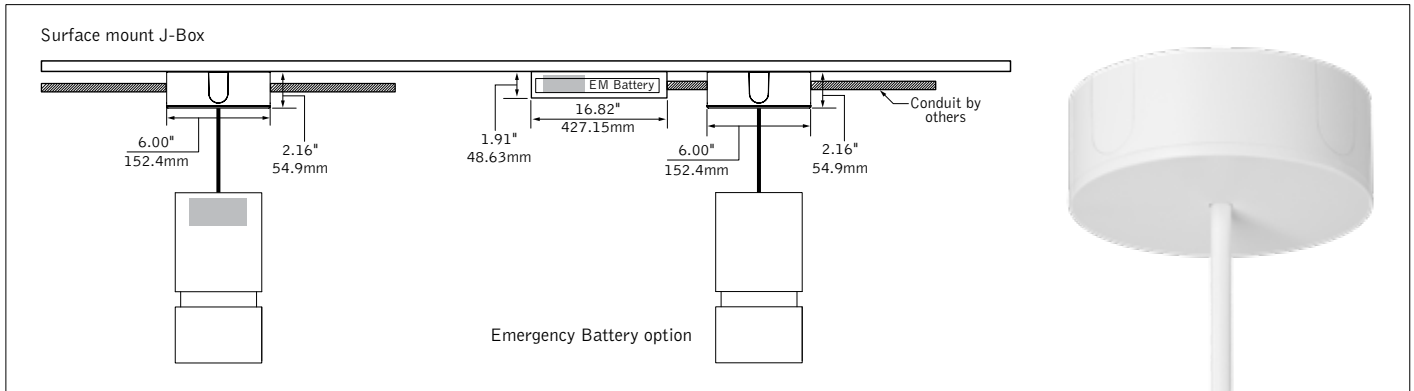
■ Indicates Driver Location



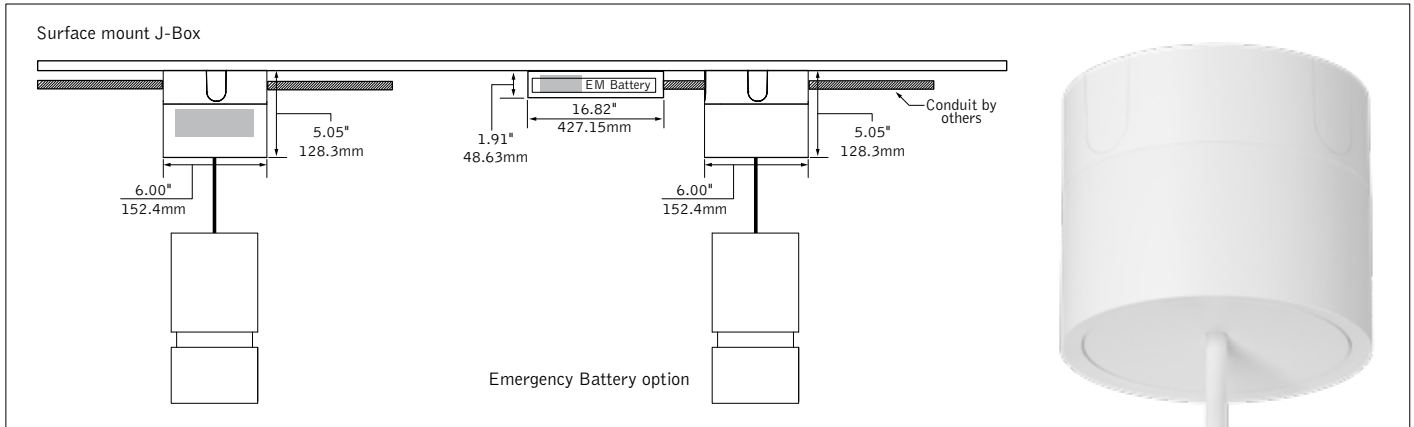
**PC - Power Canopy**



**DSC - Shallow Canopy with decorative J-box cover, Integral Driver**



**DPC - Power Canopy with decorative J-box cover**



## 4.5" CYLINDER LUMEN MULTIPLIER TABLE

### Decorative Reveal

| Trim Type  | Optic | Decorative Reveal           | Multiplier |
|------------|-------|-----------------------------|------------|
| Round [RD] | ALL   | White Non-Glow Reveal [WHR] | 0.94       |
|            |       | Black Non-Glow Reveal [BKR] | 0.94       |
|            |       | White Glowing Reveal [WHG]  | 1.00       |

### Color Temperature & CRI

| Trim Type  | Optic | Lumen Output | Color Temperature            | Multiplier |
|------------|-------|--------------|------------------------------|------------|
| Round [RD] | ALL   | ALL          | 2700K, 80+ CRI [27K]         | 0.93       |
|            |       |              | 2700K, 90+ CRI [927K]        | 0.78       |
|            |       |              | 3000K, 80+ CRI [30K]         | 0.97       |
|            |       |              | 3000K, 90+ CRI [930K]        | 0.81       |
|            |       |              | 3500K, 80+ CRI [35K]         | 1.00       |
|            |       |              | 3500K, 90+ CRI [935K]        | 0.83       |
|            |       |              | 4000K, 80+ CRI [40K]         | 1.01       |
|            |       |              | 4000K, 90+ CRI [940K]        | 0.86       |
|            |       | 1500         | 2700-1800K, 90+ CRI [92718W] | 0.76       |
|            |       | 2500         |                              | 0.90       |
|            |       | 1500         | 3000-1800K, 90+ CRI [93018W] | 1.07       |
|            |       | 2500         |                              | 0.88       |

### Optic & Distribution (1000L - 1500L)

| Trim Type  | Optic  | Distribution                  | Multiplier |
|------------|--|-------------------------------|------------|
| Round [RD] | Tall Cone, 50° cut-off [DNT]                   | Spot (18°) [SPL]              | 1.00       |
|            |  | Narrow Flood (27°) [NFL]      | 0.97       |
|            |  | Flood (35°) [FL]              | 0.93       |
|            |  | Wide Flood (54°) [WFL]        | 1.00       |
|            |  | Very Wide Flood (69°) [VWFL]  | 0.93       |
|            | Tall Cone, 50° cut-off with Solite Lens [DNLS] | Narrow Flood (27°) [NFL]      | 1.00       |
|            | Super Short Cone, 80° cut-off [DSS]            | Super Wide Flood (98°) [SWFL] | 0.85       |

### Optic & Distribution (2000L - 3000L)

| Trim Type  | Optic  | Distribution                  | Multiplier |
|------------|--|-------------------------------|------------|
| Round [RD] | Tall Cone, 50° cut-off [DNT]                   | Narrow Flood (26°) [NFL]      | 0.98       |
|            |  | Flood (41°) [FL]              | 0.92       |
|            |  | Wide Flood (56°) [WFL]        | 1.00       |
|            |  | Very Wide Flood (69°) [VWFL]  | 0.89       |
|            | Tall Cone, 50° cut-off with Solite Lens [DNLS] | Narrow Flood (26°) [NFL]      | 1.11       |
|            | Super Short Cone, 80° cut-off [DSS]            | Super Wide Flood (98°) [SWFL] | 0.83       |

### How To Use Lumen Multipliers

**Formula:** (Lumen Output Value) x (Decorative Reveal) x (Color Temperature & CRI) x (Optic & Distribution)

**Example:** FLCY4-RD-WHR-1000L-935K-DNT-FL  
 $(1000) \times (0.94) \times (0.83) \times (0.93) \approx 726$  lm (estimated delivered lumens)

Multiplier tables are provided to aid with estimation of lumen levels across options. Apply multipliers against ordered Lumen Output to estimate Delivered Lumens. Refer to IES files for most accurate photometric information.

### NON-SCALLOPING SUPER WIDE FLOOD DESIGN GUIDE - 1500 LUMEN EXAMPLE

| Distance from bottom of fixture | Footcandles           |    |    |                         |    |    |                       |    |    |         |    |    |    |    |    |    |    |    |
|---------------------------------|-----------------------|----|----|-------------------------|----|----|-----------------------|----|----|---------|----|----|----|----|----|----|----|----|
|                                 | Fixtures 3' from Wall |    |    | Fixtures 3.5' from Wall |    |    | Fixtures 4' from Wall |    |    |         |    |    |    |    |    |    |    |    |
|                                 | 3' OC                 |    |    | 3.5' OC                 |    |    | 3' OC                 |    |    | 3.5' OC |    |    |    |    |    |    |    |    |
| 1' 0"                           | 3"                    | 3  | 3  | 3                       | 2  | 2  | 2                     | 2  | 2  | 2       | 2  | 2  | 2  | 2  | 2  | 2  |    |    |
|                                 | 6"                    | 3  | 3  | 3                       | 3  | 3  | 3                     | 2  | 2  | 2       | 2  | 2  | 2  | 2  | 2  | 2  |    |    |
|                                 | 9"                    | 4  | 4  | 4                       | 4  | 4  | 4                     | 3  | 3  | 3       | 3  | 3  | 3  | 3  | 3  | 3  |    |    |
|                                 | 12"                   | 5  | 5  | 5                       | 5  | 5  | 5                     | 4  | 4  | 4       | 4  | 4  | 4  | 4  | 4  | 4  |    |    |
| 2'                              | 13                    | 13 | 13 | 11                      | 11 | 11 | 9                     | 9  | 9  | 8       | 8  | 8  | 8  | 8  | 8  | 7  | 7  | 7  |
| 3'                              | 21                    | 21 | 21 | 18                      | 18 | 18 | 16                    | 16 | 16 | 14      | 14 | 14 | 12 | 12 | 12 | 11 | 11 | 11 |
| 4'                              | 24                    | 24 | 24 | 20                      | 20 | 20 | 20                    | 20 | 20 | 17      | 17 | 17 | 17 | 17 | 17 | 14 | 14 | 14 |
| 5'                              | 22                    | 22 | 22 | 19                      | 19 | 19 | 21                    | 21 | 21 | 18      | 18 | 18 | 18 | 18 | 18 | 16 | 16 | 16 |
| 6'                              | 19                    | 19 | 19 | 16                      | 16 | 16 | 19                    | 19 | 19 | 16      | 16 | 16 | 18 | 18 | 18 | 15 | 15 | 15 |
| 7'                              | 16                    | 16 | 16 | 14                      | 14 | 14 | 17                    | 17 | 17 | 14      | 14 | 14 | 16 | 16 | 16 | 14 | 14 | 14 |
| 8'                              | 14                    | 14 | 14 | 12                      | 12 | 12 | 14                    | 14 | 14 | 12      | 12 | 12 | 15 | 15 | 15 | 13 | 13 | 13 |
| 9'                              | 12                    | 12 | 12 | 10                      | 10 | 10 | 12                    | 12 | 12 | 11      | 11 | 11 | 13 | 13 | 13 | 11 | 11 | 11 |
| 10'                             | 10                    | 10 | 10 | 8                       | 8  | 8  | 10                    | 10 | 10 | 9       | 9  | 9  | 11 | 11 | 11 | 9  | 9  | 9  |

