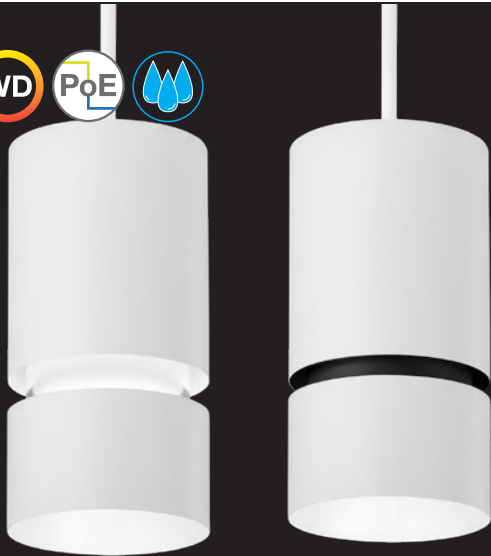


ID+ 4.5" Cylinder

LED PENDANT WITH DECORATIVE REVEAL



Black with White Glow



Palladium Silver with White Glow



Black with Black Non-Glow



Palladium Silver with Black Non-Glow



Shallow Canopy



Power Canopy



50° Swivel Stem

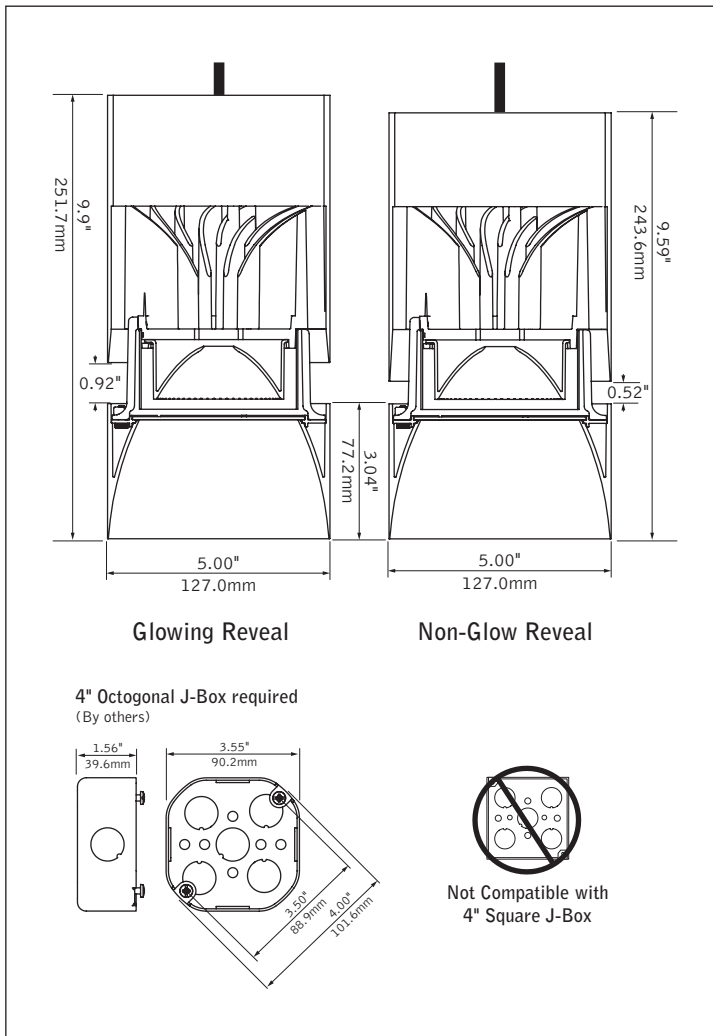


Surface Mount Companion



Trimless Downlight Companion

DIMENSIONAL DATA (continued on page 3)



FEATURES

4.5" cylinder pendant with decorative reveal.

Decorative reveal available with or without glow.

Custom color options for finish and glowing reveal.

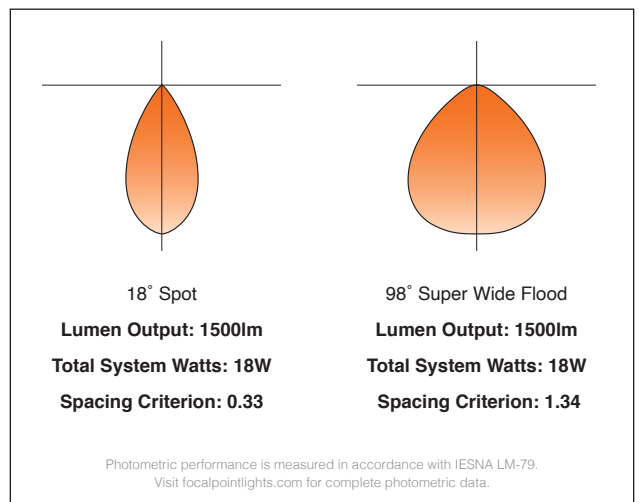
One-piece die-cast reflector with a knife edge for a modern aesthetic.

50° cut-off for brightness control and visual comfort.

Warm Dim: Lighting that enhances spaces with a warm glow, reminiscent of incandescent or halogen light sources.

PoE compatible: Integrates with Power over Ethernet lighting systems via standard, low-voltage wires.

PERFORMANCE



fixture:

project:

SPECIFICATIONS

LED System

Proprietary LED module with single light emitting source. May be specified in 2700K, 3000K, 3500K or 4000K in CRI>80 or CRI>90. 3500K and 4000K with CRI>90 have a cyanosis observation index (COI) of 3.3 or less. Color accuracy within 2 SDCM. Aluminum heat sink provides appropriate thermal management.

Construction

Upper housing is extruded aluminum. Lower reflector is die-cast aluminum. Twist & lock construction leaves no visible fasteners within the knife edge trim. Fixture will not exceed 5 lb.

Optics

Beam spreads achieved with optics that may be easily changed in field.

Lumen Output	Cut-Off Degree	Distribution Beam Spread Spacing Criteria					
		SP	NFL	FL	WFL	VWFL	SWFL
1000 - 1500	50°	18° 0.33	27° 0.48	35° 0.59	54° 0.83	69° 1.02	—
	80°	—	—	—	—	—	98° 1.34
2000 - 3000	50°	—	26° 0.44	41° 0.67	56° 0.83	69° 1.08	—
	80°	—	—	—	—	—	98° 1.34

Electrical

Choice of constant current dimming drivers. Power factor > .9 typical. PoE compatible: Integrates with Power over Ethernet lighting systems via standard, low-voltage wires. L11 & LFP with Shallow Canopy, Integral Driver not Right Light as standard, consult factory.

Emergency

Emergency output — 7W for 90 minutes. Maximum mounting height: 16ft. J-box cannot be recessed above the ceiling with Emergency Battery.

Labels

UL and cUL listed. Suitable for Dry or Damp Locations, indoor use only.

Finish

Polyester powder coat applied over a multi-stage pre-treatment. Swivel stem option is designed with a matching cylinder, swivel stem, and canopy finish.

Lumen Maintenance

Reported: L70 > 60,000 hours Calculated: L70 at > 204,000 hours
 L80 > 60,000 hours L80 at > 126,000 hours
 (Derived from EPA TM-21 calculator. Based on typical conditions, consult factory for additional data.)



Reliability

At Focal Point, our products are designed to stand the test of time. Each luminaire is engineered using superior components, manufactured with the utmost care and rigorously tested. Contact us for reliability data.

Warranty

LED system rated for operation in ambient environments up to 25°C. 5 year limited warranty.

PERFORMANCE TABLE

Lumen Output	Delivered Lumens	System Watts	LPW
1000L	1033	11	91
1500L	1509	18	86
 1500L	1606	23	69
2000L	2074	24	88
2500L	2609	31	84
 2500L	2211	35	63
3000L	2906	34	84

Glowing Reveal, 3500K, 80CRI, Clear Diffuse, Flood distribution. Warm Dim based on 3000 - 1800K, 90 CRI. Lumen output may vary +/- 5%. Actual wattage may vary +/- 5%.

ORDERING

Luminaire Series	FLCY4	FLCY4
ID+ 4.5" Round Cylinder	FLCY4	
Trim Type	RD	RD
Round	RD	
Decorative Reveal		
White Non-Glow Reveal	WHR	
Black Non-Glow Reveal	BKR	
White Glowing Reveal	WHG	
Custom Color Glowing Reveal	RAL_ _ _ _	
<small>(Specify your RAL color value. Extended lead time consult factory.)</small>		
Lumen Output		
1000 Lumens	1000L	
1500 Lumens	1500L	
2000 Lumens	2000L	
2500 Lumens	2500L	
3000 Lumens	3000L	
<small>(Power Canopy only)</small>		
Color Temperature		
2700K, 80+ CRI or 90+ CRI	27K or 927K	
3000K, 80+ CRI or 90+ CRI	30K or 930K	
3500K, 80+ CRI or 90+ CRI	35K or 935K	
4000K, 80+ CRI or 90+ CRI	40K or 940K	
Warm Dim: 2700-1800K, 90+ CRI	92718W	
Warm Dim: 3000-1800K, 90+ CRI	93018W	
<small>(Warm Dim: 1500lm & 2500lm only. EMR not available. 2500lm Power canopy only.)</small>		
Circuit		1C
Single Circuit	1C	
Voltage		
120/277 UNV	UNV	
120 Volt	120	
277 Volt	277	
Low Voltage	LV	
Canopy Configuration		
Shallow Canopy, Integral Driver	SC	
<small>(L11, LVN & LFP only. Warm Dim: 1500L only.)</small>		
Power Canopy	PC	
<small>(Not available with Swivel Stem)</small>		
Control System & Dimming Level		
0-10V - 0% Dimming	LZ1	
0-10V - 1% Dimming	L11	
Low Voltage, PoE compatible	LVN	
<small>(No driver. Not available with EMR. SC canopy and LV Voltage only.)</small>		
Forward Phase - 1% Dimming	LFP	
<small>(Shallow Canopy, Integral Driver, 120V only)</small>		
Lutron Hi-Lume EcoSystem (LDE1) - 1% Dimming	LH1	
Lutron Hi-Lume - Forward Phase - 1% Dimming (120V only)	LTE	
Lutron 5-Series EcoSystem (LDE5) - 5% Dimming	LU5	
DALI - 0% Dimming	DZ1	
DALI - 1% Dimming	D11	
Mounting		
72" Cable, Straight Feed (Cut in field)	C72	
144" Cable, Straight Feed (Cut in field)	C144	
12", 50° Swivel Stem	B12	
18", 50° Swivel Stem	B18	
2'-8" in 1' increments, 50° Swivel Stem	B_	
<small>(Specify in inches, example: 8' stem = B96)</small>		
Optic		
50° Cut-off Cone	DNT	
<small>(Not available with SWFL distribution)</small>		
50° Cut-off Cone with Solite Lens	DNTS	
<small>(NFL distribution only)</small>		
80° Cut-off Cone	DSS	
<small>(SWFL distribution only)</small>		
Distribution		
Spot	SP	
<small>(1000L & 1500L only)</small>		
Narrow Flood	NFL	
Flood	FL	
Wide Flood	WFL	
Very Wide Flood	VWFL	
Super Wide Flood	SWFL	
Factory Options		
Emergency Battery	EMR	
<small>(J-box cannot be recessed above the ceiling. Remote test switch.)</small>		
Reflector Color		CD
Clear Diffuse	CD	
Luminaire Finish		
<small>(Cylinder, swivel stem and canopy finish match)</small>		
Black with Black cord	BK	
White with White cord	WH	
Palladium Silver with Black cord	PS	
Custom Color with White cord	RAL_ _ _ _	
<small>(Specify your RAL color value. Extended lead time consult factory.)</small>		

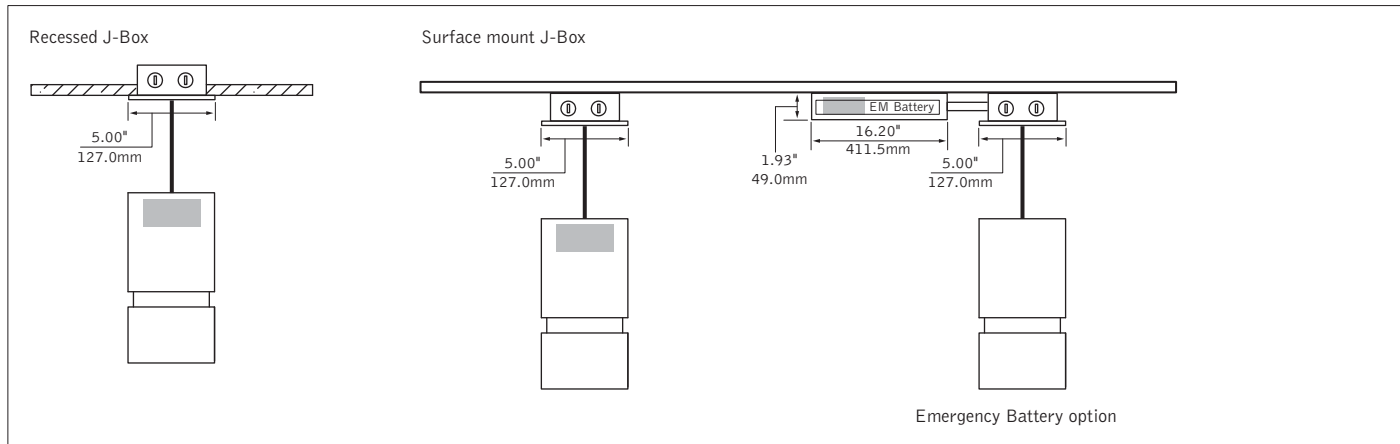
ID+ 4.5" Cylinder

LED PENDANT WITH DECORATIVE REVEAL

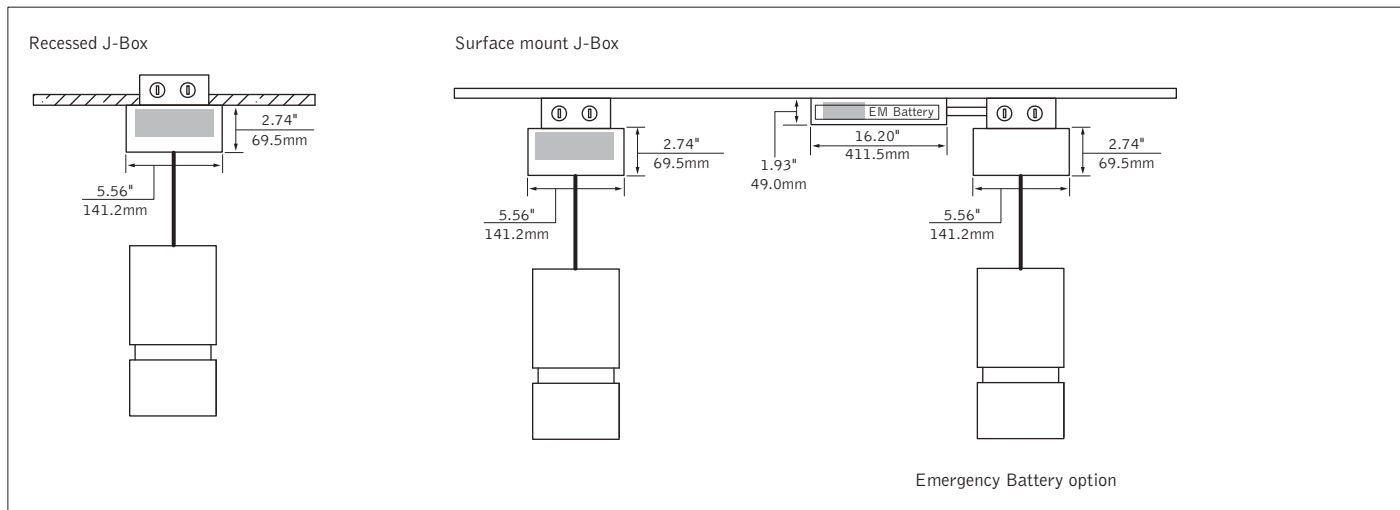
DIMENSIONAL DATA CONTINUED

SC - Shallow Canopy, Integral Driver

■ Indicates Driver Location

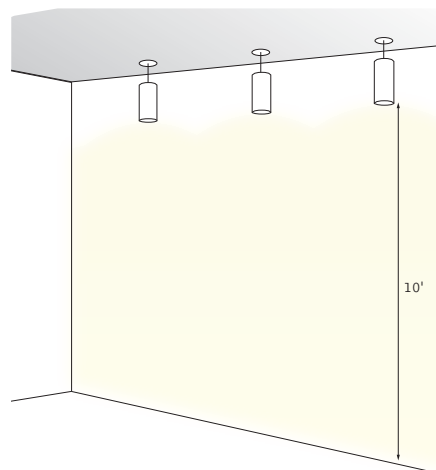


PC - Power Canopy



NON-SCALLOPING SUPER WIDE FLOOD DESIGN GUIDE - 1500 LUMEN EXAMPLE

Distance from bottom of fixture	Footcandles																						
	Fixtures 3' from Wall			Fixtures 3.5' from Wall			Fixtures 4' from Wall																
	3' OC	3.5' OC	3' OC	3.5' OC	3' OC	3.5' OC	3' OC	3.5' OC	3' OC	3.5' OC	3' OC	3.5' OC											
1'-0"	3"	3	3	3	2	2	2	2	2	2	2	2	2	2	2	2	2	2	2	2	2	2	2
	6"	3	3	3	3	3	3	3	2	2	2	2	2	2	2	2	2	2	2	2	2	2	2
	9"	4	4	4	4	4	4	3	3	3	3	3	3	3	3	3	3	3	3	3	3	3	3
	12"	5	5	5	5	5	5	4	4	4	4	4	4	4	4	4	4	4	4	3	3	3	3
2'	13	13	13	11	11	11	9	9	9	8	8	8	8	8	8	8	8	8	7	7	7	7	7
3'	21	21	21	18	18	18	16	16	16	14	14	14	12	12	12	11	11	11	11	11	11	11	11
4'	24	24	24	20	20	20	20	20	20	17	17	17	17	17	17	14	14	14	14	14	14	14	14
5'	22	22	22	19	19	19	21	21	21	18	18	18	18	18	18	16	16	16	16	16	16	16	16
6'	19	19	19	16	16	16	19	19	19	16	16	16	18	18	18	15	15	15	15	15	15	15	15
7'	16	16	16	14	14	14	17	17	17	14	14	14	16	16	16	14	14	14	14	14	14	14	14
8'	14	14	14	12	12	12	14	14	14	12	12	12	15	15	15	13	13	13	13	13	13	13	13
9'	12	12	12	10	10	10	12	12	12	11	11	11	13	13	13	11	11	11	11	11	11	11	11
10'	10	10	10	8	8	8	10	10	10	9	9	9	11	11	11	9	9	9	9	9	9	9	9



ID+ 4.5" Cylinder

LED PENDANT WITH DECORATIVE REVEAL

4.5" CYLINDER LUMEN MULTIPLIER TABLE

Decorative Reveal

Trim Type	Optic	Decorative Reveal	Multiplier
Round [RD]	ALL	White Non-Glow Reveal [WHR]	0.94
		Black Non-Glow Reveal [BKR]	0.94
		White Glowing Reveal [WHG]	1.00

Color Temperature & CRI

Trim Type	Optic	Lumen Output	Color Temperature	Multiplier
Round [RD]	ALL	ALL	2700K, 80+ CRI [27K]	0.93
			2700K, 90+ CRI [927K]	0.78
			3000K, 80+ CRI [30K]	0.97
			3000K, 90+ CRI [930K]	0.81
			3500K, 80+ CRI [35K]	1.00
			3500K, 90+ CRI [935K]	0.83
			4000K, 80+ CRI [40K]	1.01
			4000K, 90+ CRI [940K]	0.86
		1500	0.76	
		2500	0.90	
		1500	1.07	
		2500	0.88	

Optic & Distribution (1000L - 1500L)

Trim Type	Optic	Distribution	Multiplier
Round [RD]	Tall Cone, 50° cut-off [DNT]	Spot (18°) [SPL]	1.00
		Narrow Flood (27°) [NFL]	0.97
		Flood (35°) [FL]	0.93
		Wide Flood (54°) [WFL]	1.00
		Very Wide Flood (69°) [VWFL]	0.93
	Tall Cone, 50° cut-off with Solite Lens [DNLS]	Narrow Flood (27°) [NFL]	1.00
	Super Short Cone, 80° cut-off [DSS]	Super Wide Flood (98°) [SWFL]	0.85

Optic & Distribution (2000L - 3000L)

Trim Type	Optic	Distribution	Multiplier
Round [RD]	Tall Cone, 50° cut-off [DNT]	Narrow Flood (26°) [NFL]	0.98
		Flood (41°) [FL]	0.92
		Wide Flood (56°) [WFL]	1.00
		Very Wide Flood (69°) [VWFL]	0.89
	Tall Cone, 50° cut-off with Solite Lens [DNLS]	Narrow Flood (26°) [NFL]	1.11
		Super Short Cone, 80° cut-off [DSS]	Super Wide Flood (98°) [SWFL]

Multiplier tables are provided to aid with estimation of lumen levels across options. Apply multipliers against ordered Lumen Output to estimate Delivered Lumens. Refer to IES files for most accurate photometric information.

How To Use Lumen Multipliers

Formula: (Lumen Output Value) x (Decorative Reveal) x (Color Temperature & CRI) x (Optic & Distribution)

Example: FLCY4-RD-WHR-1000L-935K-DNT-FL

(1000) x (0.94) x (0.83) x (0.93) ≈ 726 lm (estimated delivered lumens)